

## Production Discontinuation of the MELSEC-F FX3GE Series Models

■Date of Issue

April 2024 (Ver. B: October 2024)

■Relevant Models

FX3GE-24MR/ES, FX3GE-24MT/ES, FX3GE-24MT/ESS, FX3GE-40MR/ES, FX3GE-40MT/ES, FX3GE-40MT/ESS, FX3GE-24MR/DS, FX3GE-24MT/DS, FX3GE-24MT/DSS, FX3GE-40MR/DS, FX3GE-40MT/DS, FX3GE-40MT/DSS

Thank you for your continued support of Mitsubishi Electric micro programmable controllers, MELSEC-F series. This technical bulletin informs you that production of the following FX3GE main units will be discontinued. We appreciate your kind understanding.

### 1 MODELS TO BE DISCONTINUED

Product	Model
FX3GE main unit	FX3GE-24MR/ES
	FX3GE-24MT/ES
	FX3GE-24MT/ESS
	FX3GE-40MR/ES
	FX3GE-40MT/ES
	FX3GE-40MT/ESS
	FX3GE-24MR/DS
	FX3GE-24MT/DS
	FX3GE-24MT/DSS
	FX3GE-40MR/DS
	FX3GE-40MT/DS
	FX3GE-40MT/DSS

### 2 SCHEDULE

- Start of make-to-order production: December 31, 2024
- Order acceptance: Until June 30, 2025
- Production discontinuation: September 30, 2025

We will not accept orders after June 30, 2025, and will stop production when the accepted orders are completed.

### 3 REASON FOR DISCONTINUATION

Our company will have difficulty maintaining the production system since the production of the components of these products has been discontinued one after another.

## 4 REPAIR SUPPORT

Repair acceptance: Until September 30, 2032 (for seven years after the discontinuation of production)

(Note that, even during the repair acceptance period, the repair will not be supported if the parts run out of stock.)

## 5 LIST OF RECOMMENDED ALTERNATIVE MODELS

### Precautions on selection

The following table lists the models having the same specifications of the number of I/O points and output type as discontinued models.

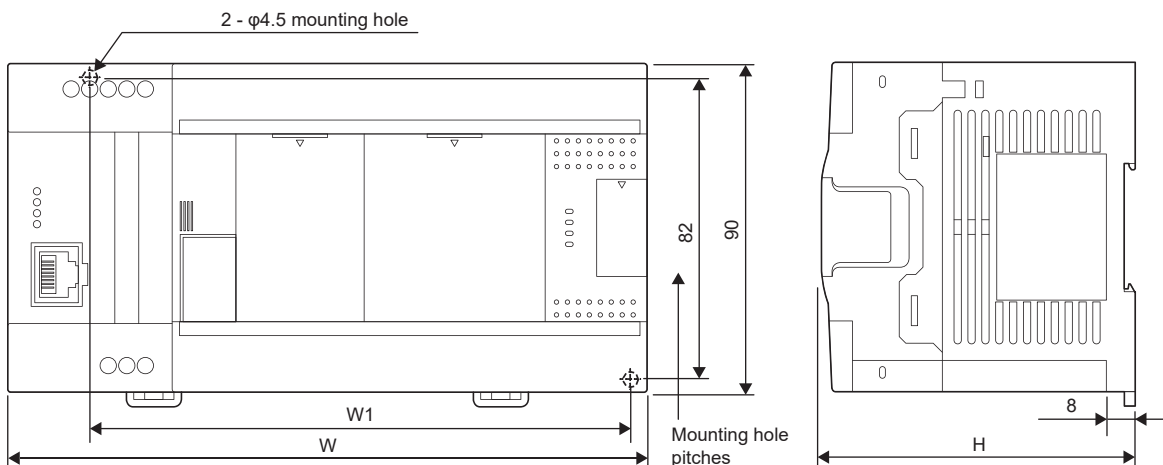
Check the specifications in each manual before using these alternative models.

- It may be necessary to change programs or wiring depending on the commands that are used or the special extension device type.
- It may be necessary to change the entire system when an existing extension device is connected to an alternative model.

Model to be discontinued	Alternative model (FX5 CPU module + FX5 extension module)		
	FX5 CPU module		FX5 extension module
	FX5S CPU module	FX5UJ CPU module	
FX3GE-24MR/ES	FX5S-30MR/ES	FX5UJ-24MR/ES	FX5-4A-ADP
FX3GE-24MT/ES	FX5S-30MT/ES	FX5UJ-24MT/ES	
FX3GE-24MT/ESS	FX5S-30MT/ESS	FX5UJ-24MT/ESS	
FX3GE-40MR/ES	FX5S-40MR/ES	FX5UJ-40MR/ES	
FX3GE-40MT/ES	FX5S-40MT/ES	FX5UJ-40MT/ES	
FX3GE-40MT/ESS	FX5S-40MT/ESS	FX5UJ-40MT/ESS	
FX3GE-24MR/DS	FX5S-30MR/DS	FX5UJ-24MR/DS	
FX3GE-24MT/DS	FX5S-30MT/DS	FX5UJ-24MT/DS	
FX3GE-24MT/DSS	FX5S-30MT/DSS	FX5UJ-24MT/DSS	
FX3GE-40MR/DS	FX5S-40MR/DS	FX5UJ-40MR/DS	
FX3GE-40MT/DS	FX5S-40MT/DS	FX5UJ-40MT/DS	
FX3GE-40MT/DSS	FX5S-40MT/DSS	FX5UJ-40MT/DSS	

## 6 COMPARISON OF EXTERNAL DIMENSIONS

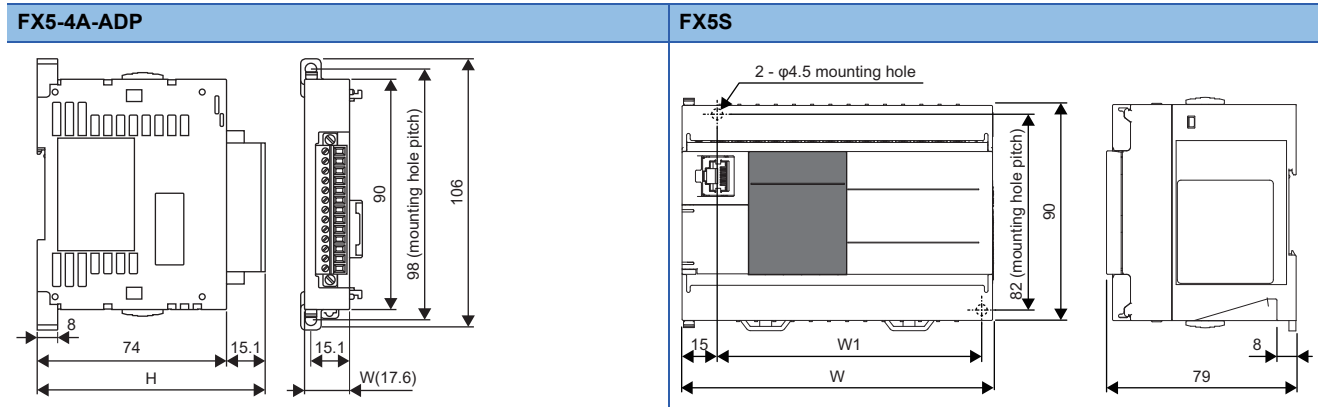
### FX3GE



(Unit: mm)

Model	W	W1	H
FX3GE-24M□	130mm	105mm	86mm
FX3GE-40M□	175mm	150mm	86mm

### FX5S + FX5-4A-ADP



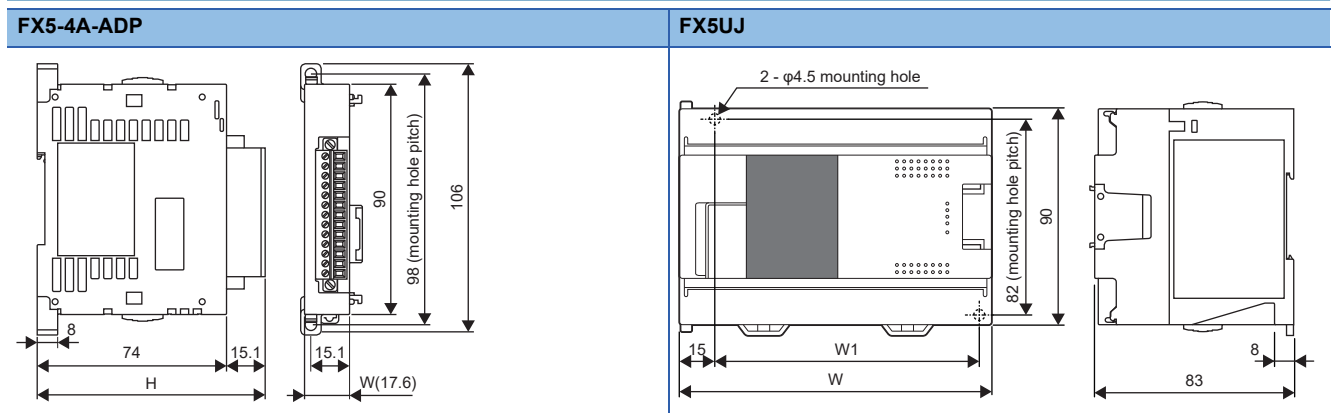
(Unit: mm)

Model	W	W1	H
FX5S-30M□ + FX5-4A-ADP	100mm + 17.6mm = 117.6mm (-12.4)	81mm (-24)	74mm + 15.1mm = 89.1mm (+3.1)
FX5S-40M□ + FX5-4A-ADP	130mm + 17.6mm = 147.6mm (-27.4)	111mm (-39)	74mm + 15.1mm = 89.1mm (+3.1)

Dimensional differences from the FX3GE are shown in parentheses ( ).

FAM-A-0090-B

**FX5UJ + FX5-4A-ADP**



(Unit: mm)

Model	W	W1	H
FX5UJ-24M□ + FX5-4A-ADP	95mm + 17.6mm = 112.6mm (-17.4)	76mm (-29)	74mm + 15.1mm = 89.1mm (+3.1)
FX5UJ-40M□ + FX5-4A-ADP	130mm + 17.6mm = 147.6mm (-27.4)	111mm (-39)	74mm + 15.1mm = 89.1mm (+3.1)

Dimensional differences from the FX3GE are shown in parentheses ( ).

## 7 COMPARISON OF BASIC FUNCTIONS AND SPECIFICATIONS

○: Available, ×: Not available

Item			FX3GE	FX5S + FX5-4A-ADP	FX5UJ + FX5-4A-ADP
Specifications	Number of I/O points	Main unit	24/40	30/40/60	24/40/60
		Maximum	128	60	256
		With remote I/O	Maximum 256	Maximum 60	Maximum 256
	Power supply		AC/DC	AC/DC	AC/DC
	Input type		Sink/source type	Sink/source type	Sink/source type
	Output type		Relay, transistor (Sink output/Source output)	Relay, transistor (Sink output/Source output)	Relay, transistor (Sink output/Source output)
	Functional expansion/extension (Maximum number of connectable modules)	Board	○ (1)	○ (1)	○ (1)
		Adapter	○ (1)	○*1 (6)	○*1 (4)
		I/O, intelligent	○*1 (8)	×	○*1 (8)
	Battery availability		○	×	×
Functions	Built-in memory	Capacity	32k steps	48k steps	48k steps
	Built-in communication port		Ethernet port USB (Mini-B) RS-422	Ethernet port USB (Mini-B)	Ethernet port USB (Mini-B)
	Built-in high-speed counter	Number of channels	6	8	8
		Maximum frequency	60kHz: 4 channels 10kHz: 2 channels	100kHz: 4 channels 10kHz: 4 channels	100kHz: 4 channels 10kHz: 4 channels
	Built-in positioning*2	Number of axes	24 points: 2 axes 40 points: 3 axes	4 axes	3 axes
		Maximum frequency	100kpps	100kpps	200kpps
	FX3GE built-in analog input/output	Number of channels		Input: 2/output: 1	-
		Analog input	Voltage input range	0 to 10VDC (Input resistance: 198.7kΩ)	-
			Current input range	4 to 20mADC (Input resistance: 250Ω)	-
		Analog output	Voltage output range	-10 to +10VDC (Input resistance: 2k to 1MΩ)	-
			Current output range	4 to 20mADC (Input resistance: 0 to 500Ω)	-
	Integrated accuracy		±0.5%FS (Ambient temperature: 25±5°C) ±1.0%FS (Ambient temperature: 0 to 55°C)	-	
	FX5-4A-ADP analog input/output*3	Number of channels		-	Input: 2/output: 2
		Analog input	Voltage input range	-	-10 to +10VDC (Input resistance: 1MΩ)
			Current input range	-	-20 to +20mADC (Input resistance: 250Ω)
Analog output		Voltage output range	-	-10 to +10VDC (Input resistance: 1k to 1MΩ)	
		Current output range	-	0 to 20mADC (Input resistance: 0 to 500Ω)	
Integrated accuracy		-	±0.1%FS (Ambient temperature: 25±5°C) ±0.2%FS (Ambient temperature: 0 to 55°C) ±0.3%FS (Ambient temperature: -20 to 0°C)		

\*1 There may be a limit to the maximum number of connectable modules depending on the device used. Refer to the manual of each model for details.

\*2 The built-in positioning function is only available in transistor output type CPU modules and main units.

\*3 When an analog I/O expansion adapter FX5-4A-ADP is added

**REVISIONS**

Version	Date of Issue	Revision
A	April 2024	First edition
B	October 2024	<ul style="list-style-type: none"> <li>• Added the FX5S CPU module DC power supply type to Chapter 5.</li> <li>• Added Chapter 6 and Chapter 7.</li> </ul>

**TRADEMARKS**

The company names, system names, and product names mentioned in this technical bulletin are either registered trademarks or trademarks of their respective companies.

In some cases, trademark symbols such as <sup>™</sup> or <sup>®</sup> are not specified in this technical bulletin.