

Production Discontinuation of Relay Terminal Modules and Their Dedicated Connection Cables

■Date of Issue

June 2023

■Relevant Models

A6TE2-16SRN, AC06TE, AC10TE, AC30TE, AC50TE, AC100TE

Thank you for your continued support of Mitsubishi Electric programmable controllers.

This technical bulletin informs you that production of the following relay terminal modules and their dedicated connection cables will be discontinued. We appreciate your kind understanding.

1 MODELS TO BE DISCONTINUED

Product	Model
Relay terminal module	A6TE2-16SRN
0.6m cable for relay terminal modules	AC06TE
1m cable for relay terminal modules	AC10TE
3m cable for relay terminal modules	AC30TE
5m cable for relay terminal modules	AC50TE
10m cable for relay terminal modules	AC100TE

2 SCHEDULE

Transition to make-to-order: October 1, 2023

Order acceptance: Until December 29, 2023

Production discontinuation: December 29, 2023

3 REASON FOR DISCONTINUATION

Some parts of those products are now obsolete, and we will have difficulty to maintain our production system.

In addition, the deterioration of production and inspection equipment will make it difficult to maintain the production system and receive repairs.

4 REPAIR SUPPORT

Repair support period: Until December 27, 2030 (for seven years after the discontinuation of production)

5 ALTERNATIVE MODELS

We recommend FA goods manufactured by Mitsubishi Electric Engineering as an alternative model for models to be discontinued.

Note that the specifications of those products are subject to change without notice.

For the product specifications and wiring precautions, refer to the manual of the product to be used.

Model to be discontinued		Alternative model		
Product	Model	Product	Model	Manufacturer
Relay terminal module	A6TE2-16SRN	Output terminal module	FA-TH16YRA20S	Mitsubishi Electric Engineering Co., Ltd.
Dedicated connection cable	AC06TE	Dedicated connection cable for terminal modules	FA-CBL06FM2V, FA-CBL06FM2LV	
	AC10TE		FA-CBL10FM2V, FA-CBL10FM2LV	
	AC30TE		FA-CBL30FM2V, FA-CBL30FM2LV	
	AC50TE		FA-CBL50FM2V, FA-CBL50FM2LV	
	AC100TE		FA-CBL100FM2V, FA-CBL100FM2LV	

6 RESTRICTIONS FOR REPLACEMENT

The following table lists the restrictions when the A6TE2-16SRN is replaced with the FA goods model.

Item	Model to be discontinued: A6TE2-16SRN	Alternative model: FA-TH16YRA20S	Restrictions
External dimensions	Height: 69.5mm Width: 180mm Depth: 56.3mm	Height: 57mm Width: 160mm Depth: 41.5mm	There is not much difference. (miniaturized)
Rated switching voltage/current	24VDC, 2A (resistance load) 240VAC, 2A (COS ϕ = 1)/1 contact, 8A/common	24VDC, 2A (resistance load) 200VAC, 2A (COS ϕ = 1)/1 contact, Independent common ^{*1}	There is not much difference. ^{*1*2}
Maximum switching voltage	264VAC 125VDC	270VAC 150VDC	
Maximum switching frequency	3600 times/hour	1800 times/hour	Use the model under the condition of being on/off for 1 second or longer. There is a restriction on the switching frequency, however, there is no change in the guaranteed value of the number of switching times (electrical service life).
Wiring method for common	16-point output 8 points/1 common	16-point output 16-point independent common	To continue using the present wiring, a shorting bar of FA goods for the M3 screw terminal block (FA-BAR20PG-20) is required. (Page 3 REPLACEMENT PROCEDURE)
Installation direction	Vertically in three directions, horizontally in one direction (Do not install the module upside down.)	Vertically in three directions (Do not install the module horizontally or upside down.)	If the module is installed horizontally, foreign matter may enter and cause malfunction. Install it vertically in three directions.

*1 Because the wiring method for common is different, a shorting bar is required. (Page 3 REPLACEMENT PROCEDURE)

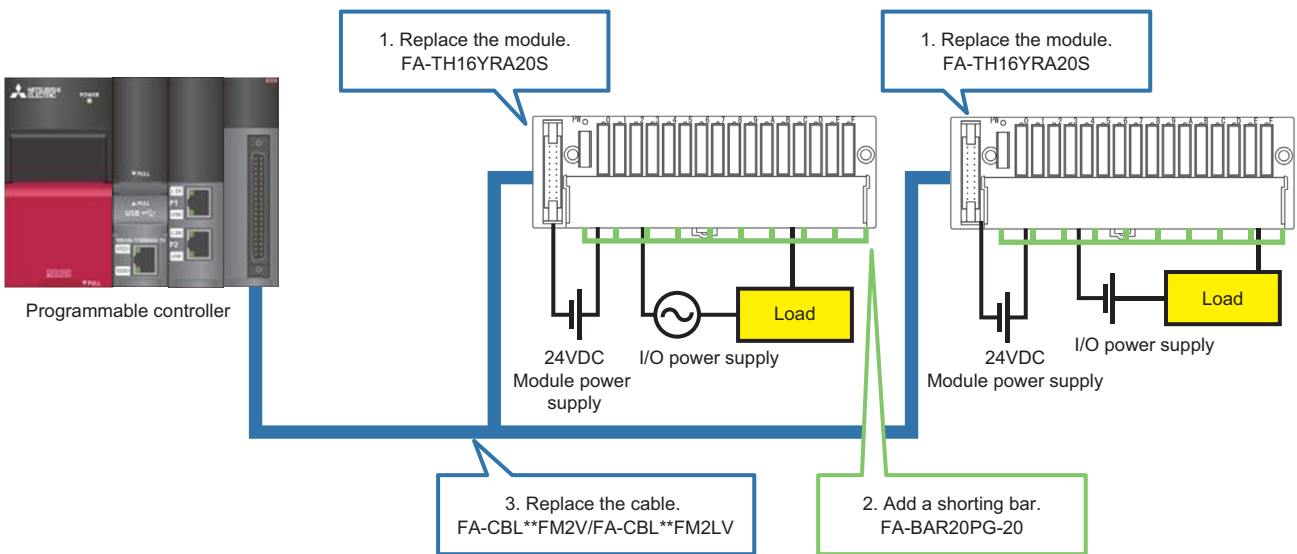
*2 The rated switching voltage is changed from 240VAC to 200VAC, however, there is no problem in using the current I/O power supply because the maximum switching voltage is 270V.

FA-A-0410-A

7 REPLACEMENT PROCEDURE

Follow the procedure below to replace the discontinued model with the FA-TH16YRA20S of FA goods.

1. Replace the A6TE2-16SRN with the FA-TH16YRA20S.
2. Add the shorting bar FA-BAR20PG-20 to the FA-TH16YRA20S.
3. Replace the connection cable AC**TE with the FA-CBL**FM2V or FA-CBL**FM2LV. The available output module differs depending on the shape of connector on the programmable controller side. To select a connection cable, refer to Page 3 SELECTION OF DEDICATED CONNECTION CABLE FOR TERMINAL MODULES.



8 SELECTION OF DEDICATED CONNECTION CABLE FOR TERMINAL MODULES

The following table shows the differences of shape between the AC**TB and available FA goods (FA-CBL**FM2V and FA-CBL**FM2LV).

Select whether to branch on the programmable controller side or on the module side.

Item	Model to be discontinued: AC**TE	Alternative model: FA-CBL**FM2V	Alternative model: FA-CBL**FM2LV
Shape			
Cable length	0.6m, 1m, 3m, 5m, 10m	0.6m, 1m, 2m, 3m, 5m, 10m	0.6m, 1m, 1.5m, 2m, 3m, 5m, 10m
Branching cable length	0.35m	0.15m	

FA-A-0410-A

REVISIONS

Version	Date of Issue	Revision
A	June 2023	First edition

TRADEMARKS

The company names, system names, and product names mentioned in this technical bulletin are either registered trademarks or trademarks of their respective companies.

In some cases, trademark symbols such as [™] or [®] are not specified in this technical bulletin.