

TECHNICAL BULLETIN

[Issue No.] T99-0011

[Page] 1/2

[Title] Notice Regarding Access of Special Function Unit
when Scan Time is Short

[Date of Issue] Apr. '99

[Relevant Models] A1SJHCPU, A1SHCPU, A2SHCPU, AnACPU, A2US (H) CPU, AnUCPU,
Q2AS (H) CPU, QnACPU

Thank you for your continued patronage of the Mitsubishi general-purpose programmable logic controller MELSEC-A/QnA Series.

The special function unit for the A/QnA Series processes the access of the FROM/TO commands, etc., from the PLC CPU as a priority.

If the special function unit's buffer memory is accessed with a short scan time using the above CPU for the relevant model (refer to *1), the response of the FROM/TO command, etc. will be delayed. This will cause the PLC CPU scan time to be extended, and will also cause delays in the other special function unit processes.

When accessing the special function unit's buffer memory, use the methods shown with 1 or 2 below to lower the FROM/TO command execution frequency.

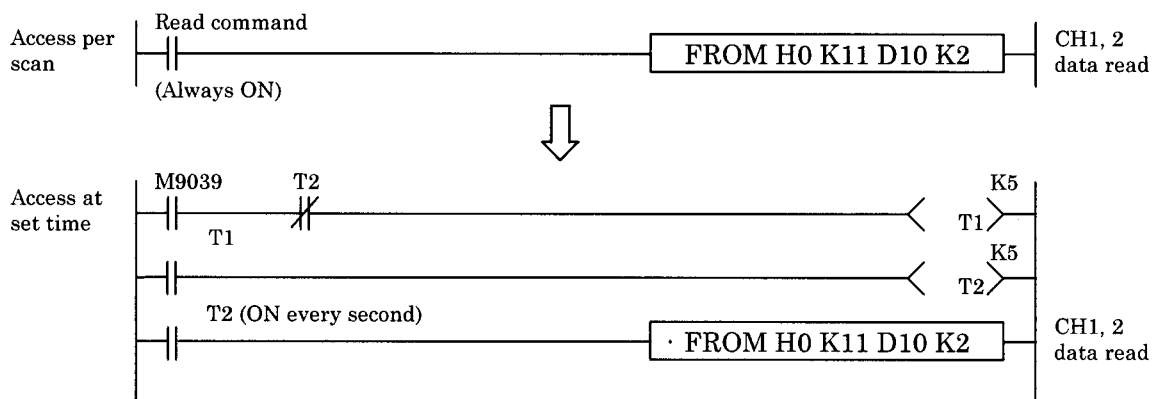
*1) The accessing frequency that will lead to the above symptom differs according to the combination of the CPU being used and the special function unit.

Whereas

[Details]

1. Access only when necessary, or limit the number of times by executing the access with a timer.

Example)



Explanation: By changing a program that reads data once a time at each scan into a program that reads the data only once per second, for example, the effect on the scan time and special function unit's processing time can be reduced.



MITSUBISHI ELECTRIC CORPORATION

HEAD OFFICE MITSUBISHI DENKI BLDG. MARUNOUCHI. TOKYO 100-0005. TELEX J24532 CABLE MELCO TOKYO

TECHNICAL BULLETIN

[Issue No.] T99-0011

[Page] 2/2

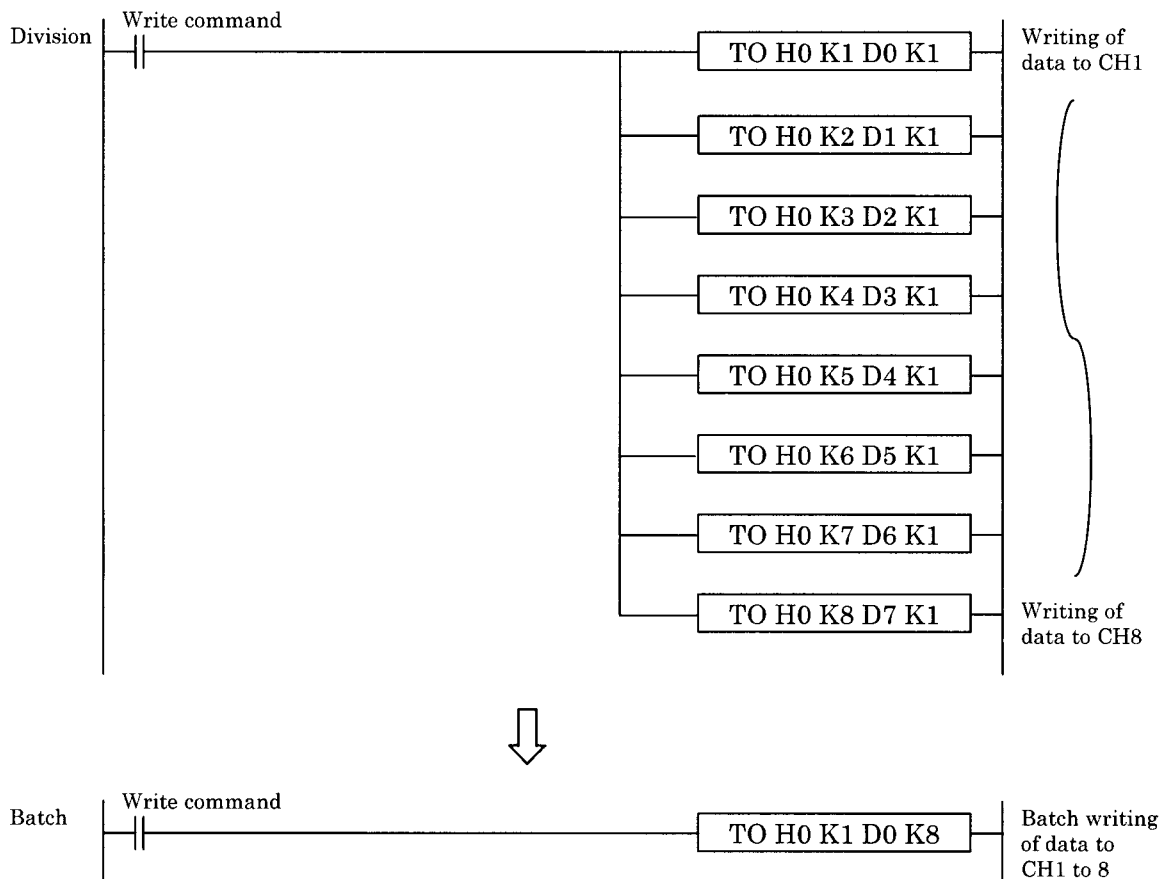
[Title] Notice Regarding Access of Special Function Unit
when Scan Time is Short

[Date of Issue] Apr. '99

[Relevant Models] A1SJHCPU, A1SHCPU, A2SHCPU, AnACPU, A2US (H) CPU, AnUCPU,
Q2AS (H) CPU, QnACPU

2. Avoid dividing the access, and execute the FROM/TO commands in a batch.

Example)



Explanation: With a program that writes data to eight channels, by executing batch read/write with one FROM/TO command as shown in the batch program, the effect on the scan time and special function unit's processing time can be reduced, compared to when executing eight TO commands as shown in the divided program.