

TECHNICAL BULLETIN

[Issue No.] T08-0017-A

[Page] 1/3

[Title] Production discontinuation of CC-Link RS-232C interface module

[Date of Issue] July 2007 (Ver. A: September 2008)

[Relevant Models] AJ65BT-R2

Thank you for your continued support of Mitsubishi programmable controllers, MELSEC-A series.
Production of the following MELSEC-A series model will be discontinued.

1. Model to be discontinued

Product name	Model
RS-232C interface module type AJ65BT-R2	AJ65BT-R2

2. Schedule

- Transition to made-to-order production: November 30, 2007
- Order acceptance: Through December 31, 2007
- Production discontinuation: January 31, 2008

3. Reasons for discontinuing production

- (1) Some parts of the above product are now obsolete. Therefore, we will have difficulty to maintain the production system.
- (2) An alternative model (AJ65BT-R2N) was released. (July 2007)

4. Repair acceptance

- Repair acceptance: Through January 31, 2015 (For 7 years after production discontinuation)

5. Alternative model

When replacing the discontinued model with the alternative, use the Nonprocedural protocol mode of the AJ65BT-R2N.

Discontinued model	Alternative model
AJ65BT-R2	AJ65BT-R2N

TECHNICAL BULLETIN

[Issue No.] T08-0017-A

[Page] 2/3

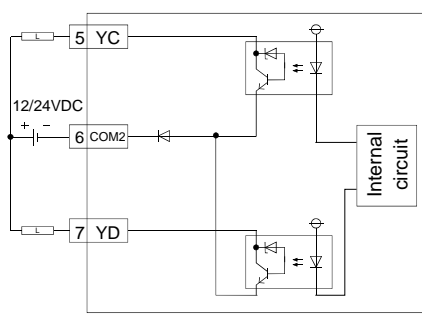
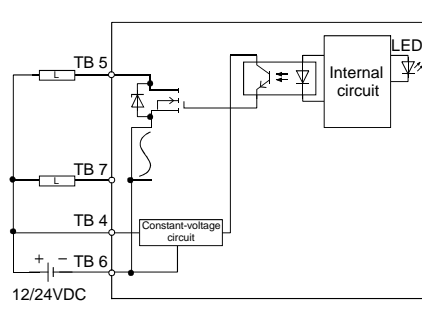
[Title] Production discontinuation of CC-Link RS-232C interface module

[Date of Issue] July 2007 (Ver. A: September 2008)

[Relevant Models] AJ65BT-R2

6. Precautions for replacing the AJ65BT-R2 with the AJ65BT-R2N

When replacing the AJ65BT-R2 with the AJ65BT-R2N, pay attention to the following precautions before replacement.

Item		Description		
Switch setting		Set switches of AJ65BT-R2N in same way as AJ65BT-R2.		
General-purpose output	When the AJ65BT-R2N is hardware version B or later	Wiring for general-purpose output need not be changed.		
	When the AJ65BT-R2N is hardware version A	<p>If a general-purpose output has been used in the AJ65BT-R2, connect a +24V wire to the general-purpose I/O terminal that is additionally provided to the AJ65BT-R2N.</p> <div style="display: flex; justify-content: space-around;"> <div style="text-align: center;"> <p>(AJ65BT-R2)</p>  </div> <div style="text-align: center;"> <p>(AJ65BT-R2N)</p>  </div> </div>		
E ² PROM register		<p>When the following have been saved to the E²PROM of the AJ65BT-R2, register the same setting to the E²PROM of the AJ65BT-R2N.</p> <ul style="list-style-type: none"> • Default value change in buffer memory • Auto-refresh buffer assignments • User registration frame 		
Sequence program		<p>A program created for the AJ65BT-R2 can be used in the AJ65BT-R2N without any changes.</p> <p>Note that, however, the transmission performance of the AJ65BT-R2N has been upgraded up to approx. 10% compared with that of the AJ65BT-R2, resulting in a faster response speed. Because of this, the external device may not be able to respond to a send request from the AJ65BT-R2N.</p> <p>Therefore, perform the following.</p> <ul style="list-style-type: none"> • Review the processing of the external device. • Delay the transmission start by the sequence program. 		
External dimensions		The external dimensions are different between the AJ65BT-R2 and the AJ65BT-R2N as shown below.		
		<table border="1" style="width: 100%; border-collapse: collapse;"> <thead> <tr> <th style="width: 50%;">AJ65BT-R2</th> <th style="width: 50%;">AJ65BT-R2N</th> </tr> </thead> <tbody> <tr> <td style="text-align: center;">80(H) × 170(W) × 63.5(D)[mm]</td> <td style="text-align: center;">80(H) × 170(W) × 47(D)[mm]</td> </tr> </tbody> </table>	AJ65BT-R2	AJ65BT-R2N
AJ65BT-R2	AJ65BT-R2N			
80(H) × 170(W) × 63.5(D)[mm]	80(H) × 170(W) × 47(D)[mm]			

TECHNICAL BULLETIN

[Issue No.] T08-0017-A

[Page] 3/3

[Title] Production discontinuation of CC-Link RS-232C interface module

[Date of Issue] July 2007 (Ver. A: September 2008)

[Relevant Models] AJ65BT-R2

Revision history

Version	Print Date	Revision
-	July 2007	First edition
A	September 2008	In "6. Precautions for replacing the AJ65BT-R2 with the AJ65BT-R2N", added the case where the AJ65BT-R2N is hardware version B or later.