

[Issue No.] T06-0005

[Page] 1/2

[Title] Correction of page omission of user's manual

[Date of Issue] Nov. '98

[Relevant Models] AJ51T64, A1SJ51T64

Thank you for your continued patronage of the Mitsubishi general-purpose programmable logic controller MELSEC-A Series.

There is a correction, because there was page omission in the user's manual of the MELSEC-I/O Link Remote I/O System Master Module type AJ51T64 /A1SJ51T64.

Whereas

[Details]

1. Object manual

MELSEC-I/O Link Remote I/O System Master Module type AJ51T64/A1SJ51T64 User's Manual
:IB(NA)-66574-C

2. Content from which page was missing

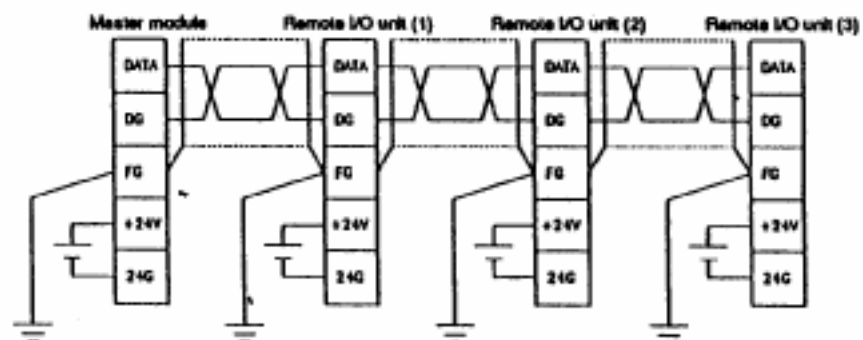
The content not described in the missing page was is shown in the following.

2.1 Between page 5-1 and page 5-2.

Section 5.2 Connections

The connection methods when using twisted pair cable and when using cable are shown below.

(1) Connection with twisted pair cables



[Issue No.] T06-0005

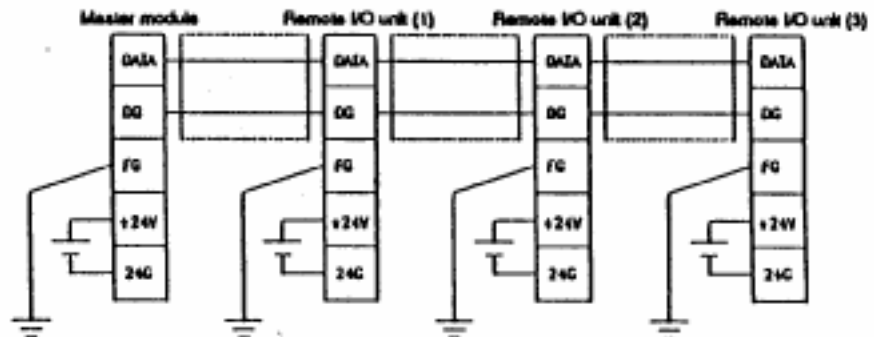
[Title] Correction of page omission of user's manual

[Relevant Models] AJ51T64, A1SJ51T64

[Page] 2/2

[Date of Issue] Nov. '98

(2) Connection with cabtyre cables



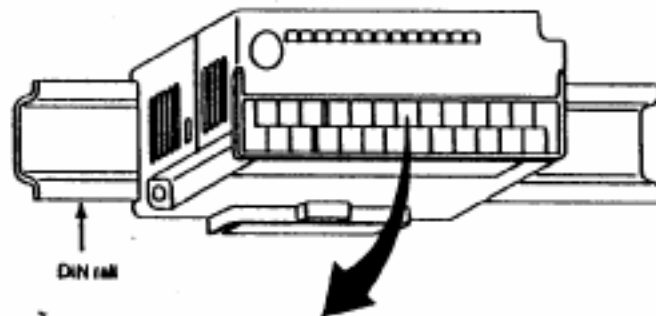
2.2 Between page 5-3 and page 5-4.

Section 5.3 Mounting a Remote I/O Unit on a DIN Rail

This section describes how to mounting a remote I/O unit on a DIN rail.

(1) Mounting procedure

- (a) Engage the groove of the upper hook with the upper rail flange by lowering the unit onto the rail.
- (b) Push the unit onto the rail and hook the lower hook onto the lower rail flange.



(2) Removal procedure

- (a) Prize down the hook on the bottom of the unit with a flat-tipped screwdriver.
- (b) Pull the unit off the rail while the hook is pulled down.

