

TECHNICAL BULLETIN

[ 1 / 3 ]

FA-A-0395-A

## **Impact on Mitsubishi Electric 40-pin Connectors (A6CON1, A6CON2, and A6CON3) Due to Connector Business Transfer of FUJITSU COMPONENT LIMITED**

■Date of Issue

January 2023

■Relevant Models

A6CON1, A6CON2, A6CON3

---

Thank you for your continued support of Mitsubishi Electric programmable controllers.

Manufacturing of connectors used for Mitsubishi Electric products was transferred from FUJITSU COMPONENT LIMITED to OTAX CO.,LTD. This technical bulletin informs you of the change points of those connectors and the changeover period.

### **1 TARGET CONNECTORS**

---

A6CON1, A6CON2, and A6CON3

## 2 CHANGES

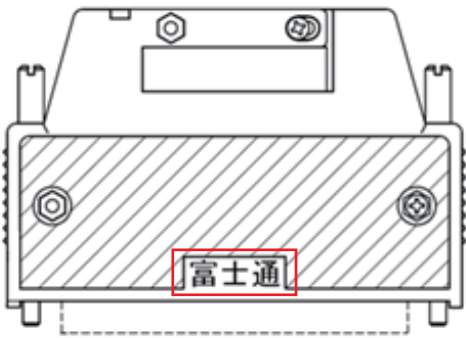
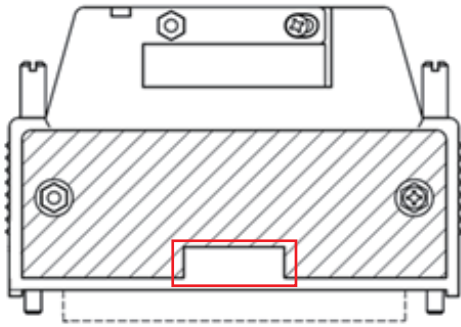
The characteristics of target connectors are not changed.

The external appearances of A6CON1 and A6CON2 are changed.

The manufacturer of dedicated tools for processing is changed to OTAX CO.,LTD.

### 2.1 A6CON1, A6CON2

The manufacturer name is removed from those connectors.

Manufactured by FUJITSU COMPONENT LIMITED	Manufactured by OTAX CO.,LTD.
	

### 2.2 Dedicated Tools For Processing

We have confirmed that there is no problem using either manufacturer's tool to process the connectors.

Dedicated tool	Manufactured by FUJITSU COMPONENT LIMITED	Manufactured by OTAX CO.,LTD.
Crimp tool	FCN-363T-T005/H	N363TT005H
Pressure-displacement tool	Cable cutter	FCN-707T-T001/H
	Hand press	FCN-707T-T101/H
	Locator plate	FCN-367T-T012/H
		N707TT001H
		N707TT101H
		N367TT012H

## 3 CHANGEOVER PERIOD

The change is applied to the products manufactured in December 2022 and after.

Depending on the order date, both products manufactured by FUJITSU COMPONENT LIMITED and those manufactured by OTAX CO.,LTD. may be delivered. We appreciate your kind understanding.

FA-A-0395-A

---

**REVISIONS**

Version	Date of Issue	Revision
A	January 2023	First edition

**TRADEMARKS**

The company names, system names, and product names mentioned in this technical bulletin are either registered trademarks or trademarks of their respective companies.

In some cases, trademark symbols such as <sup>™</sup> or <sup>®</sup> are not specified in this technical bulletin.