

[Issue No.] FA-A-0201

[Title] Addition of a logo to the MELSEC-Q series CC-Link IE Controller Network module

[Date of Issue] March 2016

[Relevant Models] QJ71GP21-SX, QJ71GP21S-SX

Thank you for your continued support of Mitsubishi programmable controllers, MELSEC-Q series.

We will inform you of the addition of the CC-Link IE Control logo.

There is no impact on the general specifications, performance specifications, functions, and external dimensions of modules due to the change.

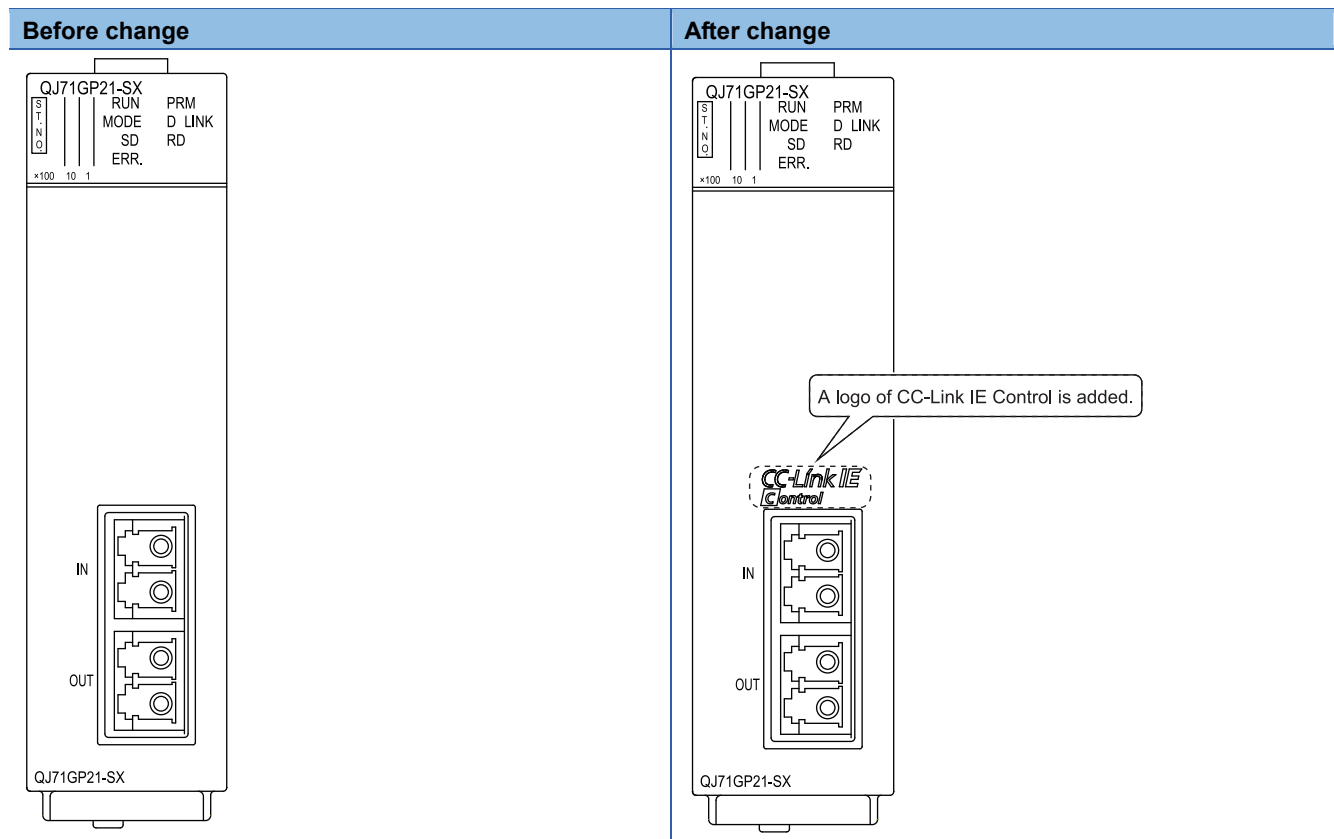
1. Reason for the change

To standardize the indication of the CC-Link IE Control logo for the CC-Link IE Controller Network products

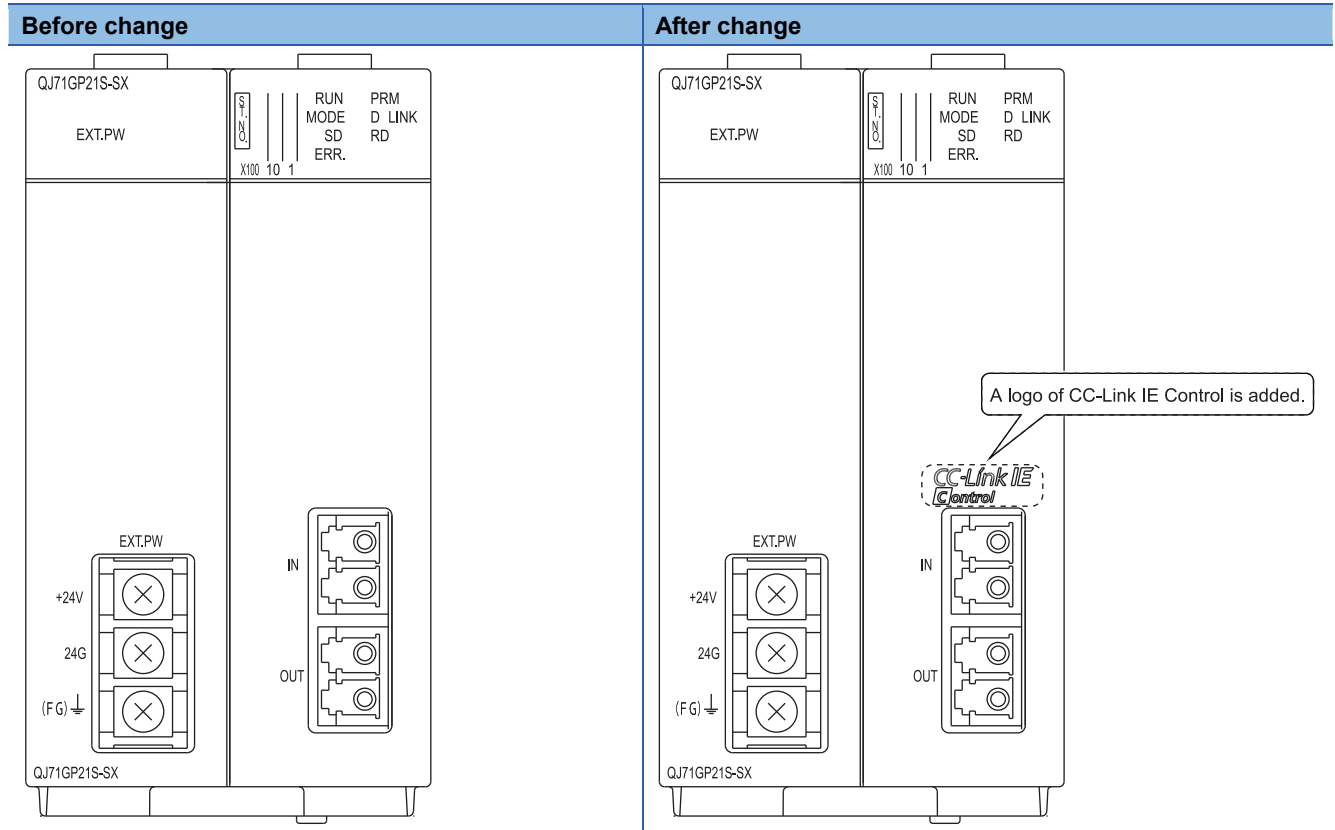
2. Details on the change

The CC-Link IE Control logo is added as shown below.

2.1 QJ71GP21-SX



2.2 QJ71GP21S-SX



3. Products to be changed

The logo will be added to the following products.

- QJ71GP21-SX
- QJ71GP21S-SX

4. Changeover period

The logo will be added for the products manufactured on and after March 2016.

Depending on stock status, both the old and new products may be distributed in the market around that time.