

# TECHNICAL BULLETIN

**[Issue No.]** FA-A-0048

**[Page]** 1/2

**[Title]** No +24V input wiring required on the general-purpose I/O terminal block of the AJ65BT-R2N CC-Link system RS-232 interface module

**[Date of Issue]** September 2008

**[Relevant Models]** AJ65BT-R2N

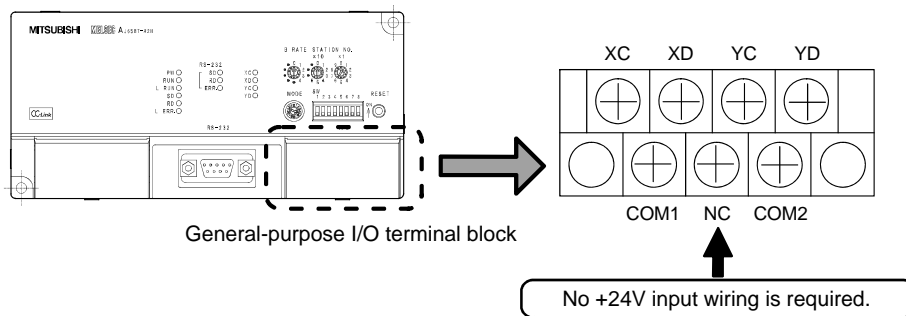
Thank you for your continued support of Mitsubishi programmable controllers, MELSEC-A series.

The +24V input wiring on the general-purpose I/O terminal block of the AJ65BT-R2N is no longer required.

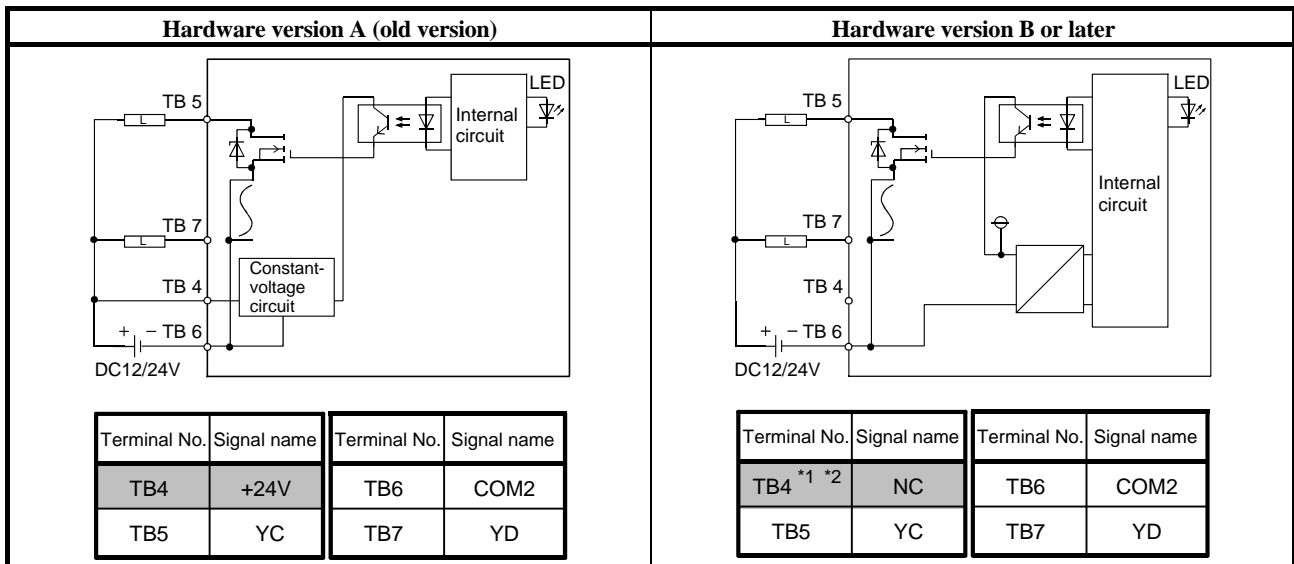
Please confirm the details of the changes in section 1 and how to check the hardware version of the module in section 2.

## 1 Changes

For the AJ65BT-R2N of hardware version B or later, the +24V input wiring on the general-purpose I/O terminal block is not required.



## (External wiring diagrams for general-purpose output)



\*1 An input of +24V is allowed, just like in hardware version A (old version).

The existing wiring can be used when replacing hardware version A with hardware version B or later.

\*2 No +24V input wiring is required, just like in the case of the AJ65BT-R2.

The existing wiring can be used when replacing the AJ65BT-R2 with the AJ65BT-R2N.

## TECHNICAL BULLETIN

[Issue No.] FA-A-0048

[Page] 2/2

[Title] No +24V input wiring required on the general-purpose I/O terminal block of the AJ65BT-R2N CC-Link system RS-232 interface module

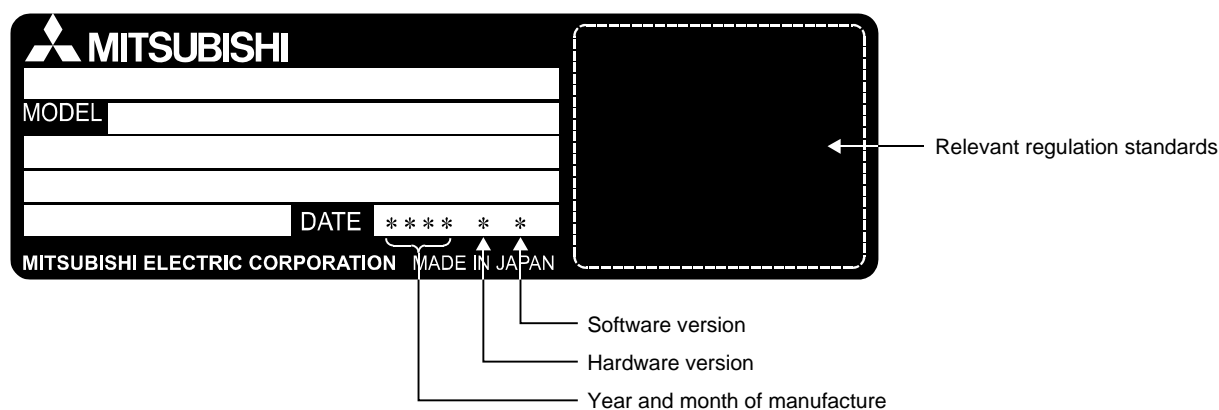
[Date of Issue] September 2008

[Relevant Models] AJ65BT-R2N

### 2 Checking the hardware version of the module

The changes apply to the AJ65BT-R2N hardware version B or later.

The hardware version of the AJ65BT-R2N can be checked in the DATE section on the rating plate.



### 3 Related manual

For details of the differences between AJ65BT-R2N hardware versions A and B or later, refer to the following manual.

Manual name	Manual number (Model code)
CC-Link System RS-232 Interface Module User's Manual (Nonprocedural Protocol Mode)	SH-080685ENG-B or later (13JZ00)