

### Change in Intercompatibility Attachment FR-E8AT03 for Replacing FR-D720 with FR-D820

Thank you for your continued patronage of Mitsubishi Electric drive control products.  
The FR-E8AT03 intercompatibility attachment will be used to replace the FR-D720 inverter with the FR-D820 inverter.  
Along with this change, the appearance of the FR-E8AT03 will be changed.

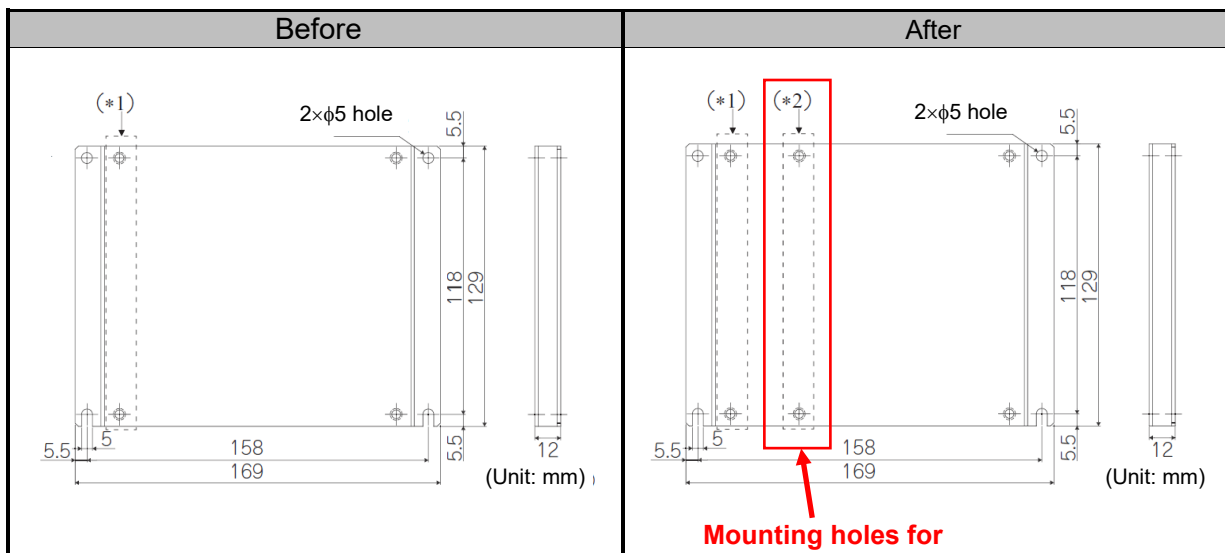
#### 1. Products Affected

FR-E8AT03

#### 2. Details of the Change

The product will be used to replace the FR-D720 inverter with the FR-D820 inverter.  
The appearance of the product will be changed by adding mounting holes for the FR-D820 inverter.

Model to be replaced		Replacing model		Attachment
FR-E720	3.7K	FR-E820	0175(3.7K)	FR-E8AT03
<b>FR-D720</b>	<b>3.7K</b>	<b>FR-D820</b>	<b>3.7K-165</b>	<b>FR-E8AT03</b>



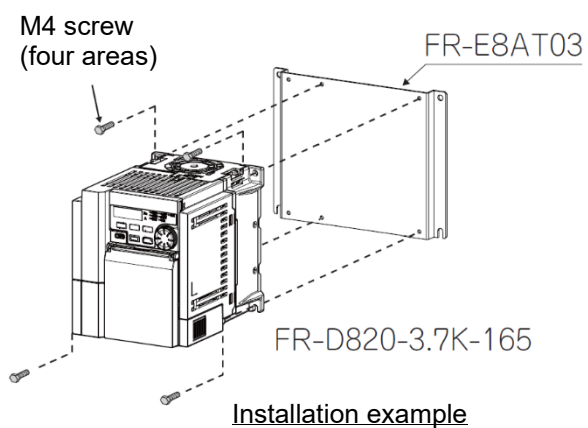
\*1 Used to install the FR-E820-0175(3.7K).

\*2 Used to install the FR-D820-3.7K-165.

<b>Date of issue</b>	February 2025	<b>Title</b>	Change in Intercompatibility Attachment FR-E8AT03 for Replacing FR-D720 with FR-D820	Mitsubishi Electric Corp., Nagoya Works 5-1-14 Yada-minami, Higashi-ku, Nagoya 461-8670 Tel.: +81 (52) 721-2111 Main line
----------------------	---------------	--------------	--	---

### 3. Installation Method of the FR-D800

- Use the supplied screws to mount the inverter to the attachment.
- The depth is increased by 12 mm for the inverter with the attachment.
- Make sure that the screws do not enter the inverter.
- Do not use this attachment for non-compatible inverters.



### 4. Date of Change

The change will be sequentially applied to products manufactured in late February 2025 or later.

### 5. Product Identification

The products can be identified visually.