

INVERTER OPTION CATALOG



GLOBAL IMPACT OF MITSUBISHI ELECTRIC



Through Mitsubishi Electric's vision, "Changes for the Better" are possible for a brighter future.

Changes for the Better

"Changes for the Better" represents the Mitsubishi Electric Group's attitude to "always strive to achieve something better", as we continue to change and grow. Each one of us shares a strong will and passion to continuously aim for change, reinforcing our commitment to creating "an even better tomorrow".

Mitsubishi Electric is involved in many areas including the following:

Energy and Electric Systems

A wide range of power and electrical products from generators to large-scale displays.

Electronic Devices

A wide portfolio of cutting-edge semiconductor devices for systems and products.

Home Appliance

Dependable consumer products like air conditioners and home entertainment systems.

Information and Communication Systems

Commercial and consumer-centric equipment, products and systems.

Industrial Automation Systems

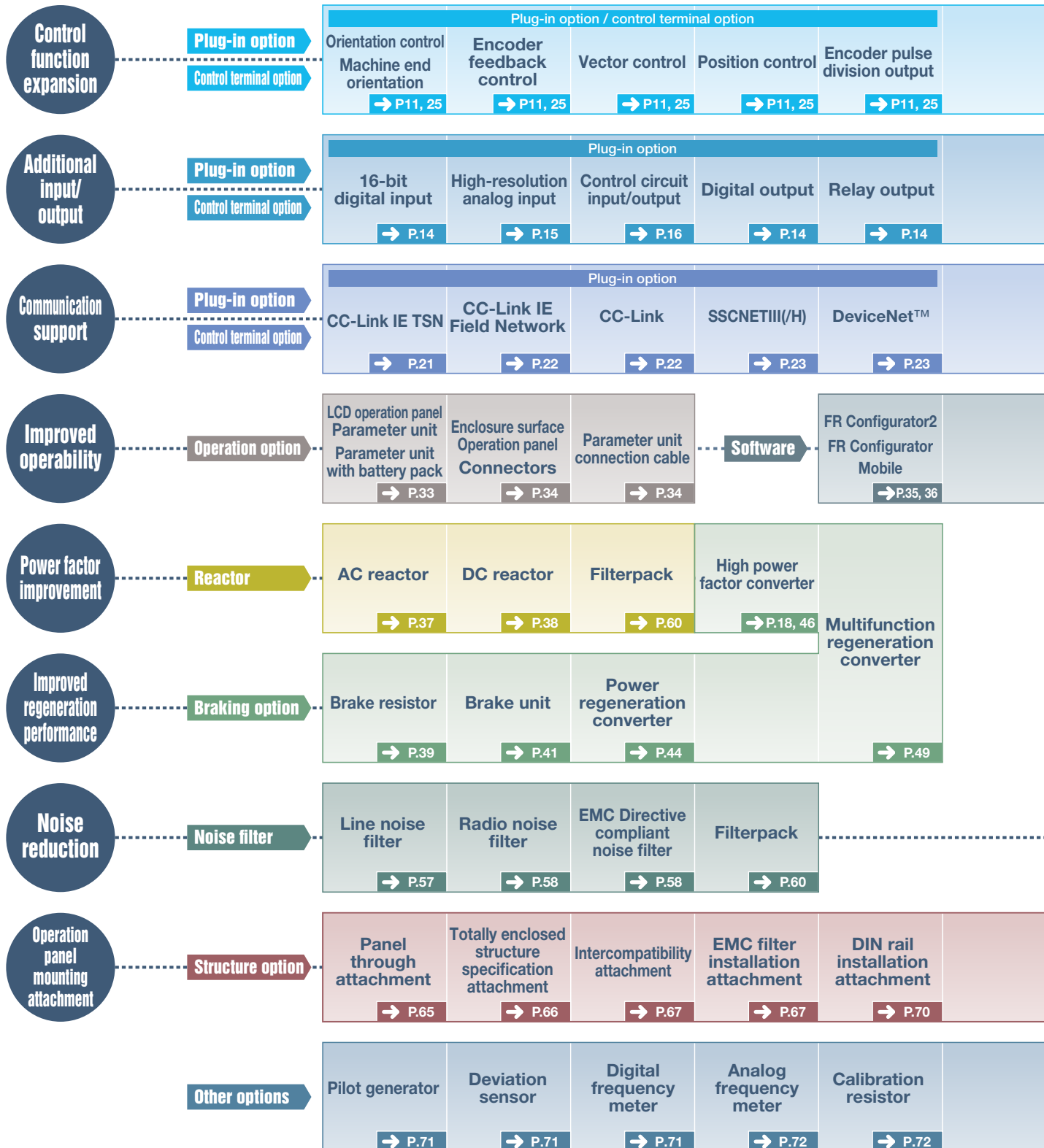
Maximizing productivity and efficiency with cutting-edge automation technology.

The Mitsubishi Electric Group is actively solving social issues, such as decarbonization and labor shortages, by providing production sites with energy-saving equipment and solutions that utilize automation systems, thereby helping towards a sustainable society.



Option lineup	4
Connection example	6
Option list	7
Plug-in option (control function expansion/additional I/O)	11
Plug-in option (for communication)	21
Control terminal option	25
Dedicated cable option	31
Operation panel option	33
Software	35
Reactor	37
Braking option	39
Noise filter	57
Output filter	62
Structure option	64
Other options	71

A Wide Variety of Options Which Improve Such as Installation Attachments, Are



Function and Performance, Available for the FR Series Lineup.

Motor thermistor interface → P.15	Plug-in option		Changeover between inverter and high power factor converter → P.18	Dedicated cable option	Encoder cable → P.31
	Phase-synchronized bypass switching function → P.17	24VDC input → P.15			
Plug-in option		Control terminal option		Dedicated cable option	SSCNETIII cable → P.32
Analog output Coded analog output → P.14, 15	24VDC input → P.15	Power supply output for encoder → P.25, 28	Screw type terminal block → P.27		
PROFIBUS-DP → P.23	Plug-in option		EtherCAT EtherNet/IP PROFINET PROFIBUS-DP(DP-V1) → P.24	Control terminal option RS-485 → P.29	Dedicated cable option
LONWORKS® → P.24	FL remote → P.24	FL remote → P.24			

USB cable
→ P.36

800 series inverters



For the FR-E800 (IP66/IP67 model), available options are limited due to the product structure. (For details, refer to page 7.)

Output filter

Surge voltage suppression filter → P.62	Sine wave filter → P.63
---	-----------------------------------



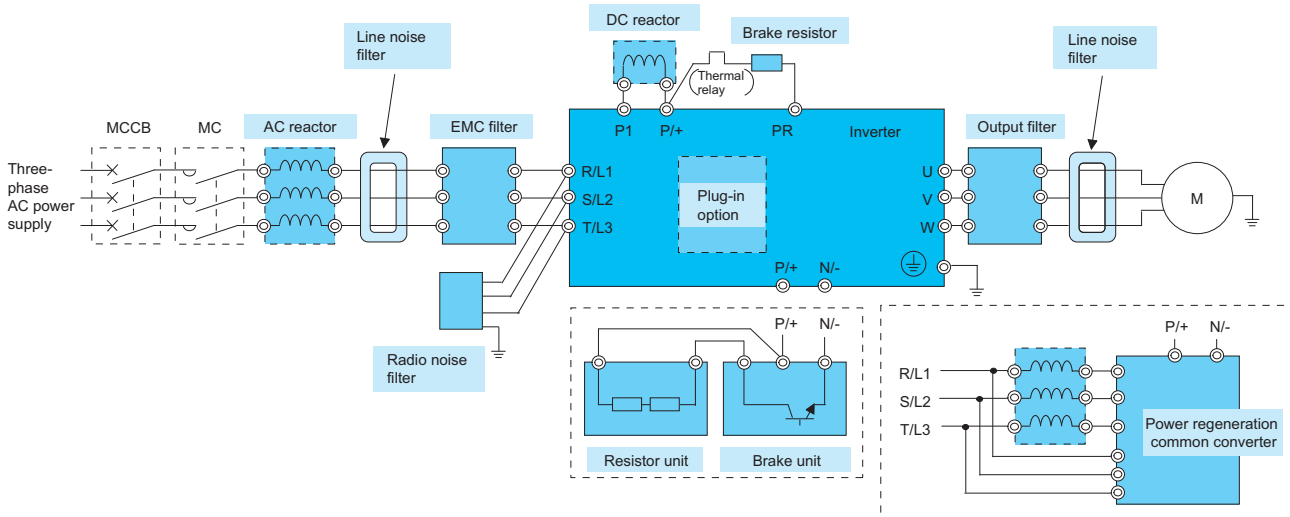
700 series inverters

Attachments for installation inside the enclosure for FR-A872 → P.64	FR-E846 dedicated protective cover → P.64
--	---

**Frequency setting potentiometer
Pointer scale
Knob**
→ P.72

Connection example

This diagram shows the connection of main optional devices with the inverter. All devices in the connection diagram below are not necessarily connected. Select necessary options referring to the table below and descriptions.



Reactor	Noise filter		Braking unit			Output filter	Plug-in option
	AC reactor DC reactor	Line noise filter Radio noise filter	EMC filter	Brake resistor	Brake unit Resistor unit		
Use when power harmonic measures are required, the power factor is to be improved or the inverter is installed under a large power supply system.	Use to reduce the electromagnetic noise generated from the inverter.	Use this EMC filter to comply with the EU EMC Directive.	Increases the braking capability of the inverter which has a built-in brake transistor.	Increases the braking capability more than the brake resistor. The inverter without a built-in brake transistor can be connected.	Returns regeneration energy to the power supply, enabling continuous regeneration operation. A high power factor converter whose power factor is 1 is available.	Limits surge voltage supplied to the motor terminal.	Mounts to the inverter to expand functions and make communication.

Option list

800 series

O: Compatible x: Incompatible

Name	Type	Applicable inverter				Refer to Page
		FR-A800	FR-A800 Plus	FR-F800	FR-E800 (other than FR-E806-18)	
Plug-in option (control function expansion, additional input/output)						
Orientation control	FR-A8AP (E kit)	O	O	x	O (E kit type)	11
Encoder feedback control	FR-A8APR	O	O	x	x	12
Vector control	FR-A8APS	O	O	x	x	13
Orientation control Encoder feedback control Vector control Position control Encoder pulse division output	FR-A8AL	O	O	x	x	11
Orientation control, Encoder feedback control, Vector control	FR-A8APA	O	O *1	x	x	13
Encoder pulse divider	FR-A8APD *3	O	O *1	x	x	12
16-bit digital input	FR-A8AX (E kit)	O	O	O	O (E kit type)	14
Analog output (2 terminals)	FR-A8AY (E kit)	O	O	O	O (E kit type)	14
Digital output (7 terminals)	FR-A8AY (E kit)	O	O	O	O (E kit type)	14
Relay output (3 terminals)	FR-A8AR (E kit)	O	O	O	O (E kit type)	14
Coded analog output High-resolution analog input Motor thermistor interface	FR-A8AZ	O	O	x	x	15
24 VDC input	FR-E8DS E kit	Equipped as standard	Equipped as standard	Equipped as standard	O	15
Additional control circuit input/output	FR-E8AXY E kit	x	x	x	O	16
Phase-synchronized bypass switching	FR-A8AVP	O	O *1	O	x	17
Changeover between inverter and high power factor converter	FR-A8AVP	O *4	O *1*4	x	x	18
Plug-in option (for communication)						
RS-485	PU connector (inverter)	Equipped as standard	Equipped as standard	Equipped as standard	Equipped as standard *5	—
	Dedicated terminal (inverter)	Equipped as standard *5	Equipped as standard *5	Equipped as standard *5	FR-E8TR*5	—
USB	USB host	A connector	Equipped as standard	Equipped as standard	Equipped as standard	x
	USB device	Mini B connector	Equipped as standard	Equipped as standard	Equipped as standard	Equipped as standard
CC-Link IE TSN	FR-A8NCG	O	O *1	O	x	21
	Built-in	FR-A800-GN	x	x	FR-E800-E (EPA/EPB)*6	21
CC-Link IE Field Network	FR-A8NCE	O *7	O	O	x	22
	Built-in	FR-A800-GF	x	x	x	22
CC-Link	FR-A8NC (E kit)	O *7	O	O	O (E kit type)	22
SSCNETIII(/H)	FR-A8NS	O *7	O *1	x	x	23
DeviceNet™	FR-A8ND (E kit)	O *7	O	O	O (E kit type)	23
PROFIBUS-DP	FR-A8NP (E kit)	O *7	O	O	O (E kit type)	23
LONWORKS®	FR-A8NL	x	x	O	x	24
FL remote	FR-A8NF	O *7	O *2	O	x	24
EtherCAT	A8NECT_2P (HMS Industrial Networks AB) *8	O	O	O	x	24
	Built-in	x	x	x	FR-E800-E(EPC)*6	—
EtherNet/IP	A8NEIP_2P (HMS Industrial Networks AB) *8	O	O	O	x	24
	Built-in	x	x	x	FR-E800-E(EPA)*6	—
PROFINET	A8NPRT_2P (HMS Industrial Networks AB) *8	O	O	O	x	24
	Built-in	x	x	x	FR-E800-E(EPB)*6	—
PROFIBUS-DP(DP-V1)	A8NDPV1 (HMS Industrial Networks AB) *8	O	O	O	x	24
Control terminal option						
Vector control terminal block	FR-A8TP	O	O	x	x	25
Screw terminal block	FR-A8TR	O *5	O *5	O *5	x	26
Screw type terminal block	FR-E8TE7	x	x	x	O *5	27
RS-485 2-port terminal block	FR-E8TR	x	x	x	O *5	29
Dedicated cable option						
Encoder cable	FR-V7CBL[]	O	O	x	O	31
	FR-JCBL[]	O	O	x	O	31
SSCNET III cable	MR-J3BUS[]M-[]	O	O	x	x	32
Operation option						
LCD operation panel	FR-LU08	O	O	O	O *5	33
Parameter unit	FR-PU07	O	O	O	O *5	33
	FR-PU07BB	O	O	O	O *5	33
Enclosure surface operation panel	FR-PA07	x	x	x	O *5	34
Parameter unit connection cable	FR-CB20[]	O	O	O	O *5	34
Operation panel connection connector	FR-ADP	O	O	O	x	34

Option list

O: Compatible x: Incompatible

Name	Type	Applicable inverter				Refer to Page
		FR-A800	FR-A800 Plus	FR-F800	FR-E800 (other than FR-E806*18)	
Software						
FR Configurator2	SW1DND-FRC2	O	O	O	O	35
FR Configurator Mobile	—	FR-A800-E	FR-A800-E	FR-F800-E	FR-E800-E/SCE	36
USB cable	MR-J3USBCBL3M	O	O	O	O	36
Reactor						
AC reactor	FR-HAL	O	O	O	O	37
DC reactor	FR-HEL	O	O	O	O	38
Braking option						
Brake resistor	MRS, MYS	x	x	x	O *9	39
High-duty brake resistor	FR-ABR	O *9	O *9	x	O *9	39
Brake unit	FR-BU2	O *10	O *10	O *10	O *10	41
Resistor	GRZG	O	O	O	O	41
	FR-BR	O	O	O	O	41
Resistor unit	MT-BR5	O	O	O	x	41
	FR-BR	O	O	O	O	41
Power regeneration converter	MT-RC	O	O	O	x	44
High power factor converter	FR-HC2	O	O	O	O *5	46
Multifunction regeneration converter	FR-XC	O	O	O	O *11	49
Noise filter						
Line noise filter	FR-BSF01	O *12	O *12	O *12	O	57
	FR-BLF	O *12	O *12	O *12	O	57
Radio noise filter	FR-BIF	Corresponding filter is built-in	Corresponding filter is built-in	Corresponding filter is built-in	O	58
EMC Directive compliant EMC filter	Built-in filter	Standard equipped (2nd Environment) *13			x	—
	SF□□	x	x	x	O	58
	FR-E5NF	x	x	x	O	58
	FR-S5NFSA	x	x	x	O	58
Filterpack (DC reactor/noise filter)	FR-BFP2	x	x	x	O	60
Output filter						
Surge voltage suppression filter	FR-ASF	O *14	O *14	O *14	O *14	62
	FR-BMF	O *14	O *14	O *14	O *14	62
Sine wave filter	Reactor	MT-BSL(-HC)	O *15	O *15	O *15	x
	Capacitor	MT-BSC	O *15	O *15	O *15	x
Structure option						
Attachments for installation inside the enclosure for FR-A872	FR-A8CW	O *16	x	x	x	64
	FR-A8SR	O *16	x	x	x	64
	FR-A8CU	O *16	x	x	x	64
FR-E846 dedicated protective cover	FR-E8PC	x	x	x	x *19	64
Panel through attachment	FR-A8CN	O	O	O	x	65
	FR-E8CN	x	x	x	O	65
Control circuit terminal block intercompatibility attachment	FR-A8TAT	O	O	O	x	66
Intercompatibility attachment	FR-AAT	O	O	O	O	67
	FR-A5AT	O	O	O	O	67
	FR-E7AT	x	x	x	O	67
	FR-F8AT	x	x	O	x	67
	FR-E8AT	x	x	x	O	67
EMC filter installation attachment	FR-E5T	x	x	x	O	67
DIN rail installation attachment	FR-UDA	x	x	x	O *17	70
Other options						
Pilot generator	QVAH-10	O	O	O	O	71
Deviation sensor	YVGC-500W-NS	O	O	O	O	71
Analog frequency meter	YM-206NR1 1 mA	O	O	O	O *5	72
Calibration resistor	RV24YN 10 kΩ	O	O	O	O	72

- *1 The option is not compatible with the FR-A800-R2R and FR-A800-AWH.
- *2 The option is not compatible with the FR-A800-R2R.
- *3 This product cannot be used on its own. Use it with the FR-A8AP or the FR-A8APA.
- *4 The option is compatible with the FR-A842-315K to 500K.
- *5 The option is not compatible with the FR-A800-E, FR-F800-E, FR-E800-E, and FR-E800-SCE.
- *6 The network is supported by the inverter alone.
- *7 The option is not compatible with the FR-A800-GF.
- *8 For further details on supported models, contact your sales representative.
- *9 Only models with a built-in brake transistor can be used.
- *10 For the 200 V class 0.2K or lower, 400 V class 1.5K or lower, they cannot be used in combination with a brake unit.
- *11 For the FR-E800-SCE (safety communication model), the common bus regeneration mode (with the FR-XC and the FR-XCL) and the harmonic suppression mode (with the FR-XC and the FR-XCB) are not available.
- *12 For the 55K or lower, a corresponding appliance is built-in on the input side.
- *13 The applicable standard depends on the built-in EMC filter.
- *14 The filter can be used under V/F control or Advanced magnetic flux vector control.
- *15 The filter can be used under V/F control.
- *16 The option is compatible with the FR-A872-05690 to 07150 and the FR-CC2-N-450K to 630K.
- *17 The option is compatible with the models with the 3.7kW or lower capacity.
- *18 The following options are compatible with the FR-E806: FR-E8PC, FR-ABR, FR-BU2, FR-BR, FR-HAL, FR-BSF01, FR-BLF, FR-BIF, FR-ASF, and FR-BMF.
- *19 The FR-E8PC is an option made for the FR-E806 inverter.

● 700 series

O: Compatible x: Incompatible

Name	Type	Applicable inverter				Refer to Page
		FR-E700	FR-F700PJ	FR-D700	FR-A701	
Plug-in option (control function expansion, additional input/output)						
Orientation control Encoder feedback control Vector control	FR-A7AP	x	x	x	O	11
Orientation control Encoder feedback control Vector control Position control Encoder pulse division output	FR-A7AL	x	x	x	O	11
16-bit digital input	FR-A7AX (E kit)	O (E kit type)	x	x	O	14
Analog output (2 terminals) Digital output (7 terminals)	FR-A7AY (E kit)	O (E kit type)	x	x	O	14
Relay output (3 terminals)	FR-A7AR (E kit)	O (E kit type)	x	x	O	14
Coded analog output High-resolution analog input Motor thermistor interface	FR-A7AZ	x	x	x	O	15
24 VDC input	FR-E7DS	O (for the FR-E700-SC only)	x	x	x	15
Plug-in option (for communication)						
RS-485	PU connector (inverter)	Equipped as standard *1	Equipped as standard	Equipped as standard	Equipped as standard	—
	Dedicated terminal (inverter)	FR-E7TR	x	x	Equipped as standard	—
USB	USB device	B connector	x	x	Equipped as standard	—
		Mini B connector	Equipped as standard	x	x	x
CC-Link IE Field Network	FR-A7NCE	x	x	x	O	22
CC-Link	FR-A7NC (E kit)	O (E kit type)	x	x	O	22
	Built-in	FR-E700-NC	x	x	x	22
SSCNETIII	FR-A7NS	x	x	x	O	23
DeviceNet™	FR-A7ND (E kit)	O (E kit type)	x	x	O	23
PROFIBUS-DP	FR-A7NP (E kit)	O (E kit type)	x	x	O	23
LONWORKS®	FR-A7NL (E kit)	O (E kit type)	x	x	O	24
FL remote	FR-A7NF	x	x	x	O	24
	Built-in	FR-E700-NF	x	x	x	24
EtherCAT	E7NECT_2P (HMS Industrial Networks AB) *2	FR-E700-TM only	x	x	x	24
Control terminal option						
12 V control circuit terminal block with encoder power supply	FR-A7PS	x	x	x	O	28
RS-485 2-port terminal block	FR-E7TR	O (for models with the standard control circuit terminal specification only)	x	x	x	29
Dedicated cable option						
Encoder cable	FR-V7CBL[]	x	x	x	O	31
	FR-JCBL[]	x	x	x	O	31
SSCNET III cable	MR-J3BUS[]M-[]	x	x	x	O	32
Operation option						
Parameter unit	FR-PU07	O *1	O	O	O	33
	FR-PU07BB	O *1	x	x	x	33
Enclosure surface operation panel	FR-PA07	O	O	O	x	34
Parameter unit connection cable	FR-CB20[]	O	O	O	O	34
Operation panel connection connector	FR-ADP	x	x	x	O	34
Software						
FR Configurator2	SW1DND-FRC2	O	x	O	x	35
	FR-SW3-SETUP-WE	O *3	O	O	O	36
USB cable	MR-J3USBCBL3M	O	x	x	x	36
Reactor						
AC reactor	FR-HAL	O	O	O	x	37
DC reactor	FR-HEL	O	O	O	x	38

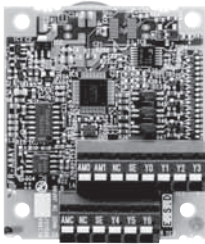
Option list

O: Compatible x: Incompatible

Name	Type	Applicable inverter				Refer to Page
		FR-E700	FR-F700PJ	FR-D700	FR-A701	
Braking option						
Brake resistor	MRS, MYS	O *4	O *4	O *4	x	39
High-duty brake resistor	FR-ABR	O *4	O *4	O *4	x	39
Brake unit	FR-BU2	O *5	O *5	O *5	x	41
Resistor	GRZG	O	O	O	x	41
Resistor unit	FR-BR	O	O	O	x	41
High power factor converter	FR-HC2	O	O	O	x	46
Multifunction regeneration converter	FR-XC	O	O	O	x	49
Noise filter						
Line noise filter	FR-BSF01	O	O	O	O	57
	FR-BLF	O	O	O	O	57
Radio noise filter	FR-BIF	O	O	O	O	58
EMC Directive compliant EMC filter	SF[]	O	x	O	O	58
	FR-E5NF	O	O	O	x	58
	FR-S5NFSA	O	x	O	x	58
Filterpack (DC reactor/noise filter)	FR-BFP2	O	O *6	O	x	60
Output filter						
Surge voltage suppression filter	FR-ASF	O	O *8	O	O *7	62
	FR-BMF	O	O *8	O	O *7	62
Structure option						
Panel through attachment	FR-E7CN	O	O	O	x	65
Totally-enclosed structure attachment	FR-E7CV	O *9	x	x	x	66
Intercompatibility attachment	FR-AAT	O	O	O	x	67
	FR-A5AT	O	O	O	x	67
	FR-E7AT	O	x	x	x	67
EMC filter installation attachment	FR-E5T	O	O	O	x	67
DIN rail installation attachment	FR-UDA	O *10	O *10	O *10	x	70
Other options						
Pilot generator	QVAH-10	O	O	O	O	71
Deviation sensor	YVGC-500W-NS	O	O	O	O	71
Analog frequency meter	YM-206NRI 1 mA	O	O	O	O	72
Calibration resistor	RV24YN 10 kΩ	O	O	O	O	72

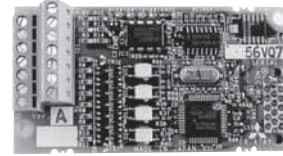
- *1 PU connector is disabled for the FL remote communication model and the CC-Link communication model.
- *2 For further details on supported models, contact your sales representative.
- *3 FR Configurator is not compatible with FL remote communication models.
- *4 Only models with a built-in brake transistor can be used.
- *5 For the 200 V class 0.2K or lower, 400 V class 1.5K or lower, they cannot be used in combination with a brake unit.
- *6 Filterpack (FR-BFP2) is enclosed for the FR-F7[]0PJ-[]KF inverters.
- *7 The filter can be used under V/F control or Advanced magnetic flux vector control.
- *8 The filter cannot be used during IPM motor control.
- *9 The option is compatible with the FR-E720-0.1K to 7.5K only.
- *10 The option is compatible with the models with the 3.7kW or lower capacity.

Plug-in option (control function expansion/additional I/O)



800 series plug-in option example: FR-A8AY

This option can be mounted in the 800 series inverter. Up to three options can be connected. (Max. number of connectable options depends on the model of inverter.)



700 series plug-in option example: FR-A7AY

This option can be mounted in the 700 series inverter. FR-A701: 3 options max. FR-E700: 1 option max. The FR-E700 has "E kit" in the end of the name and sold as a package set with a dedicated front cover, etc. (standard control circuit terminal model)

If two of the same plug-in option are connected, only one will function.

Orientation control/encoder feedback control/vector control	FR-A8AP, FR-A8APR, FR-A8APA	(A800) (A800 Plus)
	FR-A8AP E kit	(E800)
Orientation control/encoder feedback control/vector control/position control/encoder pulse division output/machine end orientation control	FR-A8AL	(A800) (A800 Plus)
	FR-A7AL	(A701)
Orientation control/encoder feedback control/vector control/position control	FR-A8APS	(A800) (A800 Plus)
Encoder pulse divider	FR-A8APD	(A800) (A800 Plus)

Option	Compatible encoder	Compatible motor/encoder	Encoder power supply	Pulse train input	Encoder divider output	
Plug-in option *1	FR-A8AP	Encoder (differential line driver/complementary)	Motor with encoder (SF-PR-SC)	External	Pulse train + rotation direction sign	Option (FR-A8APD)*2
	FR-A7AP					Not supported
	FR-A8AL	Encoder (differential line driver/complementary)	Motor with encoder (SF-PR-SC)	Internal (5 V/12 V/24 V)	Forward pulse train + reverse pulse train Pulse train + rotation direction sign A phase pulse train + B phase pulse train	Supported
	FR-A7AL			External		
	FR-A8APR	Resolver	Recommended encoder: TS2640N321E64 manufactured by Tamagawa Seiki Co., Ltd.	Not required	Pulse train + rotation direction sign	Not supported
	FR-A8APS	EnDat	Recommended encoder: ECN 1313/ECN 1325/EQN 1325 manufactured by HEIDENHAIN	Internal (5 V)	Pulse train + rotation direction sign	Not supported
	FR-A8APA	SinCos	Compatible encoder: ERN 1387 manufactured by HEIDENHAIN	Internal (5 V)	Pulse train + rotation direction sign	Option (FR-A8APD)
Control terminal option	FR-A8TP (refer to page 25)	Encoder (differential line driver/complementary)	Motor with encoder (SF-PR-SC)	Internal (24 V)	Pulse train + rotation direction sign	Supported

*1 Only one of the above options can be used at a time.

When multiple options are connected to the same inverter, the following options are given priority in descending order: FR-A8AL (FR-A7AL) > FR-A8APS > FR-A8APA > FR-A8APR > FR-A8AP (FR-A7AP).

*2 The option is not compatible with the FR-E800 series.

- Orientation control** : The inverter can adjust the stop position (Orientation control) using an encoder attached to a place such as the main shaft of the machine.
- Encoder feedback control** : Under V/F control or Advanced magnetic flux vector control, the inverter output frequency is controlled so that the motor speed is constant to the load variation by detecting the motor speed with the encoder to perform feedback to the inverter.
- Vector control** : Closed loop vector control is possible when using a motor with an encoder.
- Position control** : Position control can be performed by pulse train input.
- Encoder pulse division output** : Pulse input of encoder connected to the inverter is divided and output from the option terminal.

Plug-in option (control function expansion/additional I/O)

<<FR-A8AP, FR-A8AL, FR-A8APD, FR-A7AP, FR-A7AL>>

● Specifications

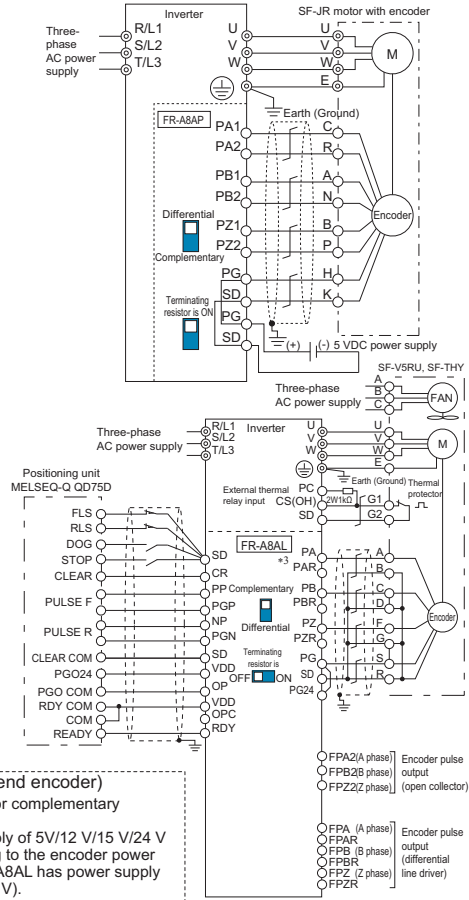
Function	Description		
Orientation control	Repeated positioning accuracy	±1.5°	
	Permissible speed	Encoder-mounted shaft speed (6000 r/min with 1024 pulse encoder) The motor and encoder-mounted shaft should be coupled with a speed ratio of 1 to 1.	
Encoder feedback control	Speed variation ratio	±0.1% (to the speed 3600 r/min)	
Vector control	Speed control	Speed control range	1:1500 (both driving/regeneration +1)
		Speed variation ratio	±0.01% (to the speed 3000 r/min)
		Speed response	130 Hz (30 Hz for FR-E800)
	Torque control	Torque control range	1:50
		Absolute torque accuracy	±10% +2
		Repeated torque accuracy	±5% +2
	Position control (available for FR-A8AL, FR-A7AL)	Pulse input type	Forward rotation pulse train + reverse rotation pulse train Pulse train + sign A phase pulse train + B phase pulse train
		Repeated positioning accuracy	±1.5° (motor shaft end)
		Power supply	24 V power supply output for interface driver is provided
		Maximum input pulse frequency	Differential line receiver: 500k pulses/s Open collector: 200k pulses/s
Encoder pulse division output (available for FR-A8AL, FR-A8APD, FR-A7AL)	Output circuit method	Open collector and differential line driver	
	Permissible load	Open collector output: 24 VDC, max 50 mA Differential line driver output: 40 mA	
Machine end orientation control (available for FR-A8AL, FR-A7AL)	Repeated positioning accuracy	±1.5°	
	Permissible speed	Encoder-mounted shaft speed (6000 r/min)	

- *1 Regeneration unit (option) is necessary for regeneration.
- *2 With online auto tuning (adaptive magnetic flux observer), dedicated motor, rated load
- *3 FR-A7AL uses two option connectors of an inverter. When using FR-A7AL, only one more built-in option can be used.

(Applicable machine end encoder)

- Differential line driver or complementary
- 1000P/R to 4096P/R
- A separate power supply of 5V/12 V/15 V/24 V is necessary according to the encoder power specification. The FR-A8AL has power supply terminals (5 V/12 V/24 V).

● Connection diagram (Sink logic)



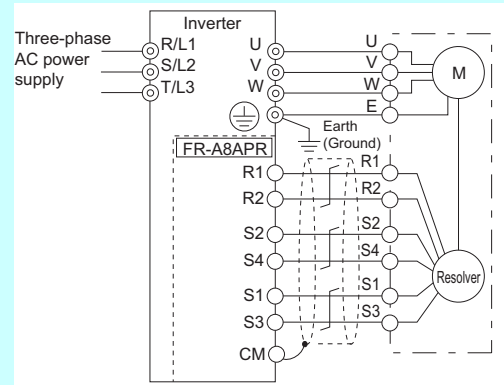
<<FR-A8APR>>

● Specifications

Function	Description		
Orientation control	Repeated positioning accuracy	±1.5° Depends on the load torque, moment of inertia of the load or orientation, creep speed, position loop switching position, etc.	
	Permissible speed	Resolver-mounted shaft speed (6000 r/min). The drive shaft and resolver-mounted shaft must be coupled directly or via a belt without any slip. Gear changing shafts cannot be applied.	
Resolver (encoder) feedback control	Speed variation ratio	±0.1% (100% means 3600 r/min)	
Vector control	Speed control	Speed control range	1:1500 (both driving/regeneration +1)
		Speed variation ratio	±0.01% (100% means 3000 r/min)
		Speed response	20 Hz (40 Hz during fast-response operation)
		Maximum speed	400 Hz
	Torque control	Torque control range	1: 50
		Absolute torque accuracy	±10% +2
		Repeated torque accuracy	±5% +2
	Position control	Repeated positioning accuracy	±1.5° (at motor shaft end)
		Maximum input pulse frequency	100k pulses/s (Terminal JOG)
		Positioning feedback pulse	4096 pulses/rev
	Electronic gear setting	1/50 to 20	
	In-position width	0 to 32767 pulses	
	Error excess	0 to 400k pulses	

- *1 Regeneration unit (option) is necessary for regeneration
- *2 With online auto tuning (adaptive magnetic flux observer), dedicated motor, rated load

● Connection diagram



Plug-in option (control function expansion/additional I/O)

<<FR-A8APS>>

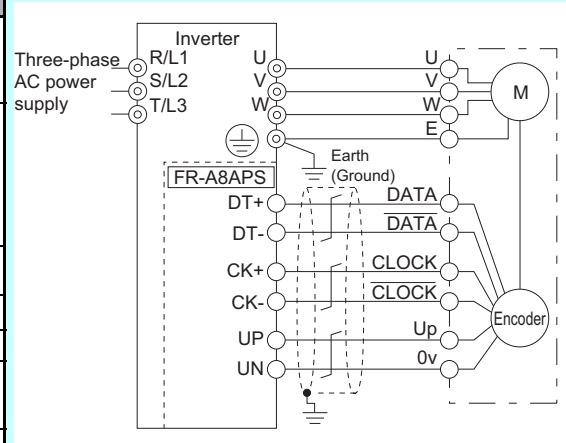
●Specifications

Function		Description	
Orientation control	Repeated positioning accuracy	±1.5° Depends on the load torque, moment of inertia of the load or orientation, creep speed, position loop switching position, etc.	
	Permissible speed	Rotation speed of the EnDat interface encoder-mounted shaft. The drive shaft and encoder-mounted shaft must be coupled directly or via a belt (with the speed ratio of 1:1) without any mechanical looseness or slip. Gear changing shafts cannot be applied.	
Encoder feedback control	Speed variation ratio	±0.1% (100% means 3600 r/min)	
Vector control	Speed control	Speed control range	1:1500 (both driving/regeneration *1)
		Speed variation ratio	±0.01% (100% means 3000 r/min)
		Speed response	300 rad/s (analog command input) Note that the internal response is 600 rad/s (with model adaptive speed control)
		Maximum speed	400 Hz
	Torque control	Torque control range	1: 50
		Absolute torque accuracy	±10% *2
		Repeated torque accuracy	±5% *2
	Position control	Repeated positioning accuracy	±1.5° (at motor shaft end)
		Maximum input pulse frequency	100k pulses/s (Terminal JOG)
		Positioning feedback pulse	Different depending on the encoder resolution
		Electronic gear setting	1/50 to 20
		In-position width	0 to 32767 pulses
Error excess	0 to 400k pulses		

*1 Regeneration unit (option) is necessary for regeneration.

*2 With online auto tuning (adaptive magnetic flux observer), dedicated motor, rated load

●Connection diagram



<<FR-A8APA>>

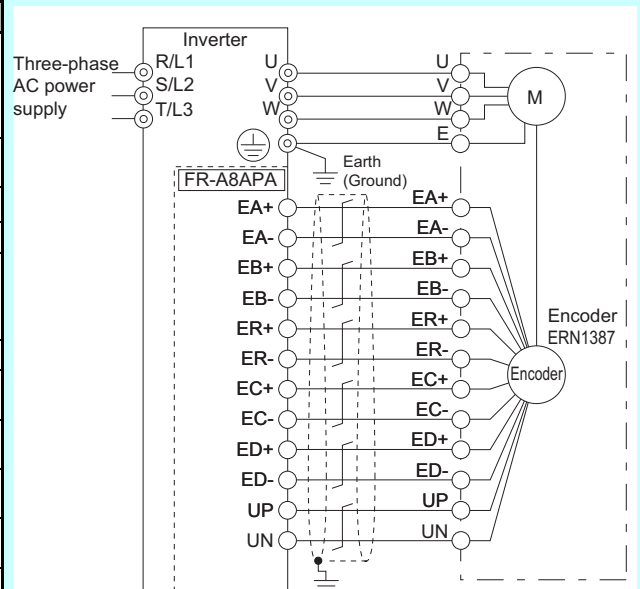
●Specifications

Function		Description	
Orientation control	Repeated positioning accuracy	±1.5° Depends on the load torque, moment of inertia of the load or orientation, creep speed, position loop switching position, etc.	
	Encoder feedback control	Speed variation ratio	±0.1% (100% means 3600 r/min)
Vector control	Speed control	Speed control range	1:1500 (both driving/regeneration *1)
		Speed variation ratio	±0.01% (100% means 3000 r/min)
		Speed response	300 rad/s (analog command input) Note that the internal response is 600 rad/s (with model adaptive speed control)
	Torque control	Torque control range	1: 50
		Absolute torque accuracy	±10% *2
		Repeated torque accuracy	±5% *2
	Position control	Repeated positioning accuracy	±1.5° (at motor shaft end)
		Maximum input pulse frequency	100k pulses/s (Terminal JOG)
		Positioning feedback pulse	Different depending on the encoder resolution
		Electronic gear setting	1/50 to 20
		In-position width	0 to 32767 pulses
		Error excess	0 to 400k pulses

*1 Regeneration unit (option) is necessary for regeneration.

*2 With online auto tuning (adaptive magnetic flux observer), dedicated motor, rated load

●Connection diagram



Plug-in option (control function expansion/additional I/O)

16-bit digital input

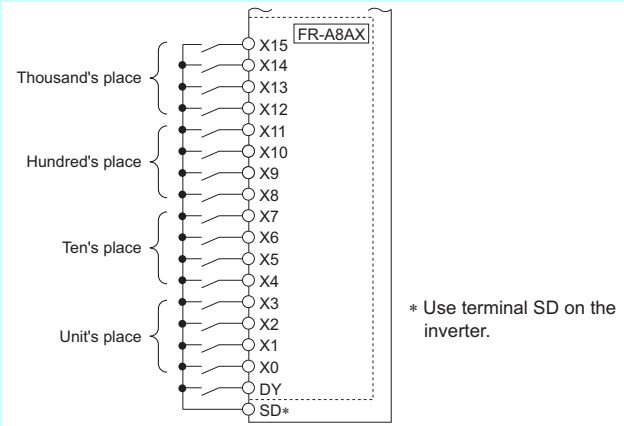
FR-A8AX (A800) (A800 Plus) (F800) FR-A8AX E kit (E800)
FR-A7AX (A701) FR-A7AX E kit (E700)

Digital input Frequency setting of the inverter can be performed using a digital signal such as BCD code or binary code from controller.

●Specifications

Function	Description	
Digital input	Digital input signal type	BCD code 3 digits or 4 digits Binary 12 bits or binary 16 bits
	Input specifications	Contact signal or open collector input

●Connection diagram



Analog output/digital output

FR-A8AY (A800) (A800 Plus) (F800) FR-A8AY E kit (E800)
FR-A7AY (A701) FR-A7AY E kit (E700)

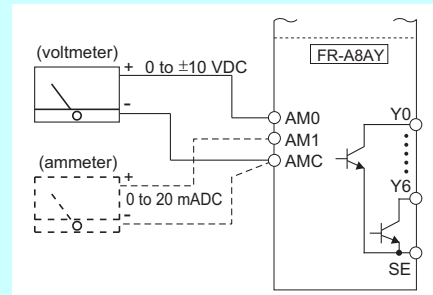
Digital output Output signal (RUN, SU, etc.) provided with the inverter as standard can be output from the open collector terminal.

Analog output Analog signals such as the output frequency and output current can be output from the voltage output terminal (AM0) and current output terminal (AM1).

●Specifications

Function	Description	
Digital output	Open collector output specifications	Permissible load 24 VDC 0.1 A
	Circuit logic	Same as the inverter (sink when shipped from factory)
Analog output	Output signal	Voltage output (across terminals AM0-AMC) FR-A8AY: 0 to ±10 VDCMAX FR-A7AY: 0 to 10 VDCMAX Current output (across terminals AM1-AMC) 0 to 20 mADC
	Wiring length	Maximum 10 m

●Connection diagram



Relay output

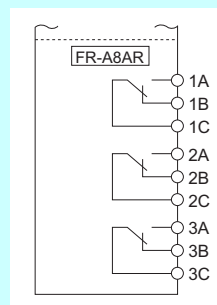
FR-A8AR (A800) (A800 Plus) (F800) FR-A8AR E kit (E800)
FR-A7AR (A701) FR-A7AR E kit (E700)

Relay output You can select any three output signals (RUN, SU, IPF, etc.) available with an inverter as standard, and output them as relay contact (1C) signals.

●Specifications

Function	Description	
Relay output	Contact capacity	AC230 V... 0.3 A DC30 V ... 0.3 A

●Connection diagram



Plug-in option (control function expansion/additional I/O)

Coded analog output/high-resolution analog input/ motor thermistor interface

FR-A8AZ (A800) (A800 Plus)

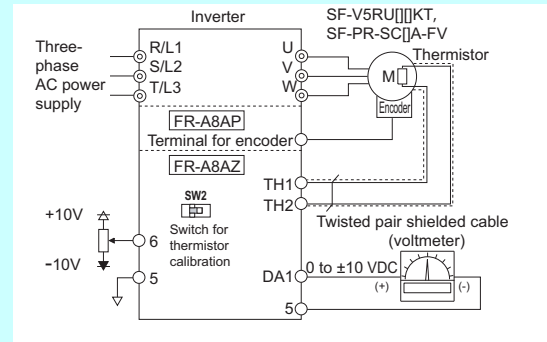
FR-A7AZ (A701)

- Coded analog output** Outputting 0 to ± 10 VDC enables output frequency, output voltage, etc. to be monitored with a DC voltage meter.
- High-resolution analog input** Inputting 0 to ± 10 VDC voltage enables speed command, torque limit command, torque command, etc.
- Motor thermistor interface** When using the vector inverter motor equipped with a thermistor (SF-V5RU□□KT) or the high-performance energy-saving three-phase motor with encoder (SF-PR-SC□A-FV), the inverter can receive feedback (detected temperature) from the motor-side thermistor. The feedback is used to reduce the fluctuation of output torque.

●Specifications

Function	Description	
Coded analog output	Output signal	Voltage output (between terminal DA1 to 5); -10 V to +10 VDC
	Resolution	-10V to +10 V/16 bits
High resolution analog input	Input resistance	10 kW
	Maximum input voltage	± 20 VDC
Motor thermistor interface	Detectable motor temperature	-50 °C to 200 °C
	Torque accuracy	$\pm 3\%$

●Connection diagram



24 VDC input

FR-E8DS E kit (E800)

FR-E7DS (E700)

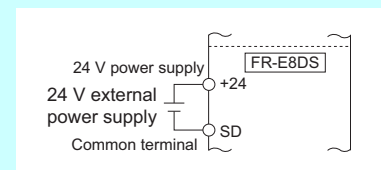
Supports FR-E700-SC only.

Instead of the main circuit power supply, external power can be supplied to an inverter. Connect the 24 V external power supply across terminals +24 and SD. The 24 V external power supply enables I/O terminal operation, operation panel displays, and control functions even while the inverter's main circuit power supply is OFF. When the main circuit power supply is turned ON, the power supply changes from the 24 V external power supply to the main circuit power supply.

●Specifications

Function	Description	
24 VDC input	Input voltage	23.5 V to 26.5 VDC
	Input current	0.7 A or lower

●Connection diagram



Additional control circuit input/output

FR-E8AXY E kit **E800**

Input/output terminals can be added.

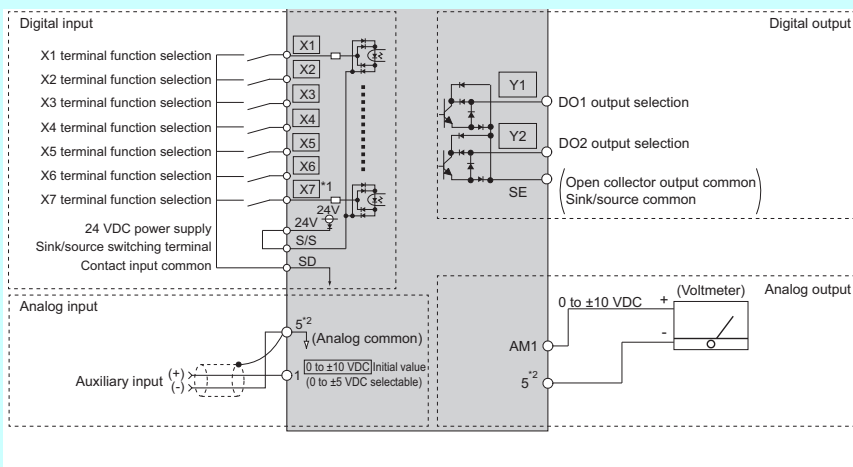
This option is useful when additional physical terminals are required, such as when an inverter with less input/ output terminals such as the FR-E800-E (Ethernet model) or the FR-E800-SCE (safety communication model) is used.

●Specifications

Type	Terminal symbol	Common	Terminal function description / rated specification
Digital input	X1 to X7 (7 terminals*1)	SD (sink (negative common)) 24V (source (positive common))	Input resistance: 4.7 kΩ Voltage when contacts are open: 21 to 26 VDC Current when contacts are short-circuited: 4 to 6 mADC
	S/S (Sink/source switching terminal)	—	When the sink logic is selected When using internal power supply: Connected to terminal 24V When using external power supply: Connected to the positive terminal of the external power supply When the source logic is selected When using internal power supply: Connected to terminal SD When using external power supply: Connected to the negative terminal of the external power supply
Pulse train input	X7 (1 terminal*1)	SD (sink (negative common)) 24V (source (positive common))	Input resistance: 2 kΩ Current when contacts are short-circuited: 8 to 13 mADC Maximum input pulse: 100k pulses/s
Analog input	1 (1 terminal)	5*2	Input resistance: 10 to 11 kΩ Input voltage range: 0 to ±10 VDC Permissible maximum voltage: ±20 VDC
Digital output	Y1, Y2 (2 terminals)	SE	Permissible load: 24 VDC (27 VDC at maximum) 0.1 A (The voltage drop is 3.4 V at maximum while the signal is ON.)
Analog output	AM1 (1 terminal)	5*2	Output signal: 0 to ±10 VDC max. (across terminals AM1 and 5) Output resolution: 3 mV Applicable meter: DC voltmeter Full-scale ±10 V (internal impedance: 10 kΩ or more) Wiring length: maximum 10 m

- *1 The function of terminal X7 can be switched between digital input and pulse train input using the parameter.
- *2 Terminal 5 is a dual-purpose terminal, used for analog input or analog output. (One terminal is provided.)

●Connection diagram (sink logic)



- *1 The function of terminal X7 can be switched between digital input and pulse train input using the parameter.
- *2 Terminal 5 is a dual-purpose terminal, used for analog input or analog output. (One terminal is provided.)

Plug-in option (control function expansion/additional I/O)

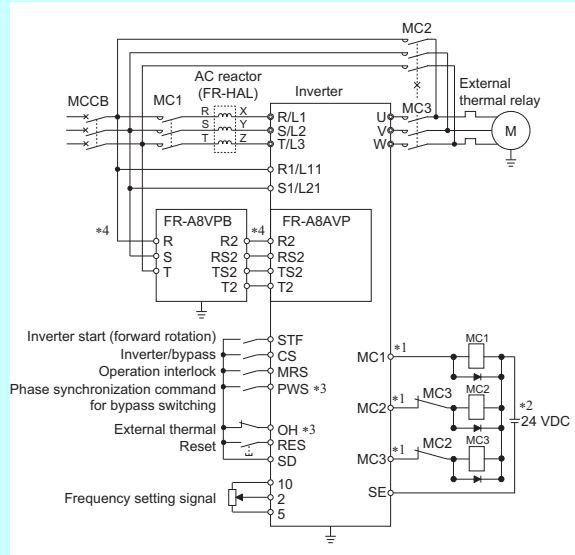
Phase-synchronized bypass switching

FR-A8AVP A800 A800 Plus F800

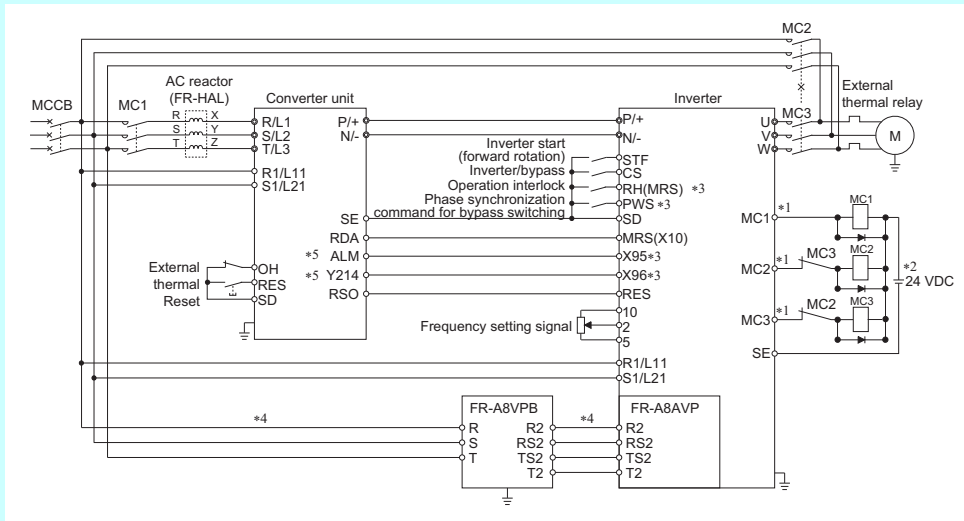
The phase-synchronized bypass switching function permits smooth switching of the motor power supply from the inverter output power to the commercial power. The shock caused by the switch is suppressed because the inverter output voltage phase is synchronized with the commercial power voltage phase. Use with a phase detection transformer box (FR-A8VPB-H).

●Connection diagram

<<Example for the standard model or IP55 compatible model of the FR-A800 series inverter>>



<<Example for the separated converter type of the FR-A800 series inverter>>



- *1 Be careful of the capacity of the sequence output terminals. The applied terminals differ depending on the settings of Pr.190 to Pr.196 (Output terminal function selection).

Output terminal capacity	Output terminal permissible load
Open collector output of inverter (RUN, SU, IPF, OL, FU)	24 VDC 0.1 A
Inverter relay output (A1-C1, B1-C1, A2-B2, B2-C2) Relay output option (FR-A8AR)	230 VAC 0.3 A 30 VDC 0.3 A

- *2 When connecting a DC power supply, insert a protective diode. When connecting an AC power supply, use the relay output option (FR-A8AR), and use contact outputs.
- *3 The applied terminals differ depending on the settings of Pr.180 to Pr.189 (Input terminal function selection).
- *4 Use the wires satisfying the following requirements for each wiring location.

Wiring location	Wire gauge (mm ²)	Total wiring length
Wiring between the power supply and the phase detection transformer box	2	10 m or less
Wiring between the phase detection transformer box and the inverter	0.75 to 1.25	5 m or less

- *5 To use the signal, assign the function to the output terminal using Pr.190 to Pr.195 (Output terminal function selection) in the converter unit. Always set the negative logic for the ALM signal.

Plug-in option (control function expansion/additional I/O)

Changeover between inverter and high power factor converter

FR-A8AVP A800 A800 Plus

Certain inverters can be changed to high power factor converters by installing the FR-A8AVP and configuring its parameters. The following options are needed to use the converter: phase detection transformer box, dedicated filter reactor, dedicated reactor for PWM control, dedicated filter capacitor, inrush current limit resistor. The converter can be changed back to an inverter.

●Option lineup for the converter

Peripheral device	Component model	Name
FR-A8VPB-H	FR-A8VPB-H	Phase detection transformer box
FR-A8BL1-H[]	FR-A8BL1-H[]	Dedicated filter reactor
FR-A8BL2-H[]	FR-A8BL2-H[]	Dedicated reactor for PWM control
FR-A8BC-H[]	FR-A8BC-H[]	Dedicated filter capacitor

Peripheral device	Component model	Name
FR-A8MC-H[]		Dedicated circuit parts for inrush current protection
	BKO-CA2573H01	Inrush current limit resistor (without thermostat)
	BKO-CA2573H11	Inrush current limit resistor (with thermostat)
	BKO-CA2571H01	Stepdown transformer for power source of magnetic contactor (400 to 220 V)
	S-N400 AC200V 2A2B	Inrush current limit magnetic contactor
	SR-T5 AC200V 5A	Buffer relay
	MYQ4Z AC200/220	Mini relay
	PYF14T	Mini relay terminal block
PYC-A1	Mini relay clip	

●Converter rated specifications

Model FR-A842-[]	07700	08660	09620	10940	12120
	315K	355K	400K	450K	500K
Applicable inverter capacity (kW)	315	355	400	450	500
Rated output capacity *1	375	423	476	536	595
Rated voltage (V) *2*3	Three-phase 380 to 500 V 50 Hz/60 Hz *6*7				
Rated current (A)	564	636	716	806	895
Overload current rating*4	150% 60s				
Permissible power supply voltage fluctuation	323 to 506 V 50 Hz/60 Hz				
Permissible power supply frequency fluctuation	±5%				
Input power factor	0.99 or more (when load ratio is 100%)				
Power supply capacity (kVA)	456	515	580	652	724
Protective structure of the converter *5	Open type (IP00)				
Cooling system	Forced air				
Approx. mass (kg)	163	163	243	243	243

*1 DC output capacity when the input voltage is 400 VAC. Multiple ratings are not supported.

*2 Change the stepdown transformer tap according to the input voltage.

*3 The output voltage is approx. 594 VDC at an input voltage of 400 VAC, approx. 653 VDC at 440 VAC, and approx. 742 VDC at 500 VAC.

*4 The percentage of the overload current rating is the ratio of the overload current to the converter's rated input current. For repeated duty, allow time for the temperatures of the converter and the inverter to return to or below the temperatures under 100% load.

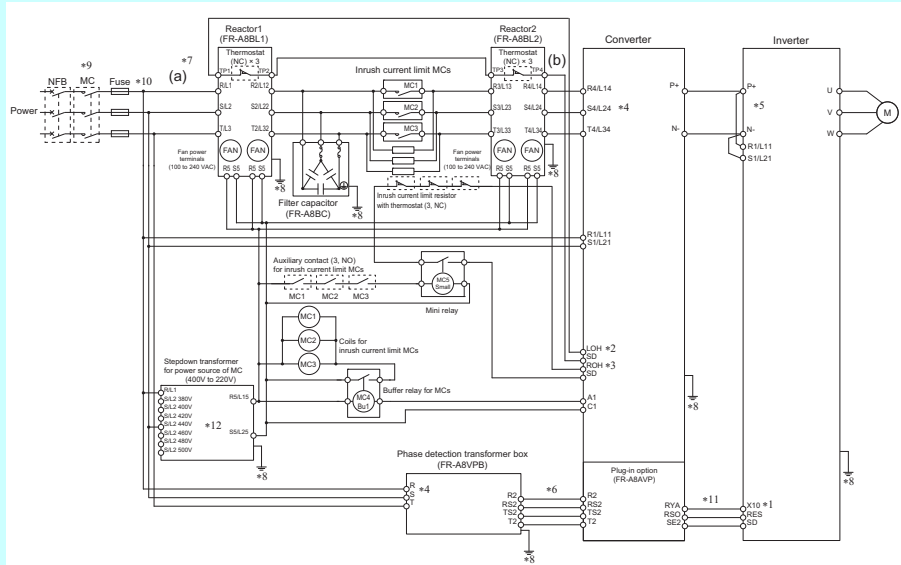
*5 FR-DU08: IP40 (except for the PU connector)

*6 The permissible voltage imbalance ratio is 3% or less. (Imbalance ratio = (highest voltage between lines - average voltage between three lines) / average voltage between three lines × 100)

*7 The rated voltage when connecting a motor to the FR-A840-02160(75K) and FR-F840-02160(90K) or higher. If connecting a motor to inverters other than those mentioned above, the rated voltage is 380 to 480 V.

Plug-in option (control function expansion/additional I/O)

● Connection diagram



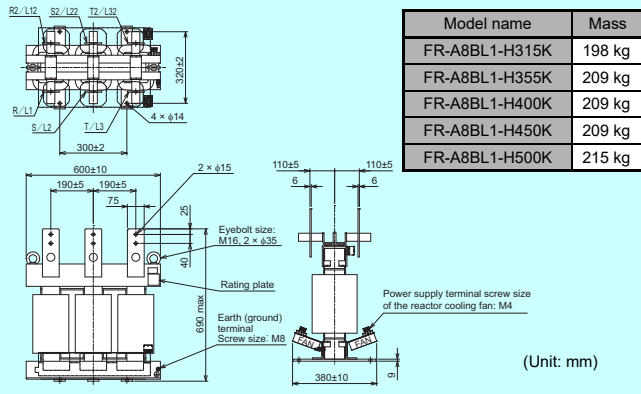
- *1 Use the Input terminal function selection to assign the X10 signal to a terminal. The signal is assigned to terminal MRS in the initial status.
- *2 The LOH signal function is assigned to terminal RT in the initial status. Set "33" in any of **Pr.178 to Pr.189 (Input terminal function selection)** to assign the LOH signal to another terminal.
- *3 The ROH signal function is assigned to terminal AU in the initial status. Set "34" in any of **Pr.178 to Pr.189 (input terminal function selection)** to assign the ROH signal to another terminal.
- *4 Confirm the correct voltage phase sequence between the converter (terminals R4/L14, S4/L24, and T4/L34) and the phase detection transformer box (terminals R, S, and T).
- *5 Do not install any MCCB between the inverter and the converter (P to P and N to N). Connecting opposite polarity of terminals P and N will damage the converter and the inverter.
- *6 Always connect terminals R2, RS2, TS2, and T2 of the FR-A8AVP installed on the converter and the identically-named terminals of the phase detection transformer box. If the inverter is operated without connecting between the terminals, the converter will be damaged.
- *7 Do not install an MCCB or MC between the reactor 1 input terminals (R/L1, S/L2, and T/L3) (a) and the converter input terminals (R4/L14, S4/L24, and T4/L34) (b) except for those specified in the connection diagram. Doing so disrupts proper operation.
- *8 Securely perform grounding (earthing) by using the grounding (earthing) terminal.
- *9 Install an MC for each phase.
- *10 Install the UL listed fuse (specified in the Instruction Manual of the FR-A842 converter) to meet the UL/cUL standards.
- *11 Always connect terminal RYA on the FR-A8AVP (installed on the converter) and the inverter terminal to which the X10 signal is assigned, and connect terminal SE2 on the FR-A8AVP and the inverter terminal SD (terminal PC in the source logic). Failure to do so may lead to damage of the converter.
- *12 Select a terminal S/L2 according to the input voltage.

Plug-in option (control function expansion/additional I/O)

● Outline dimension drawings

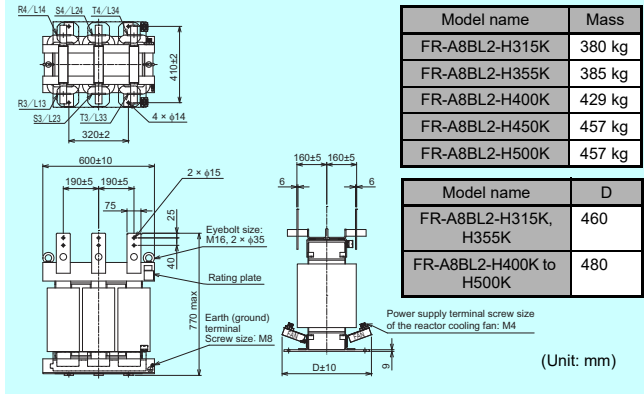
<<FR-A8BL1-H315K to H500K>>

This is an example of the outer appearance, which differs depending on the model.



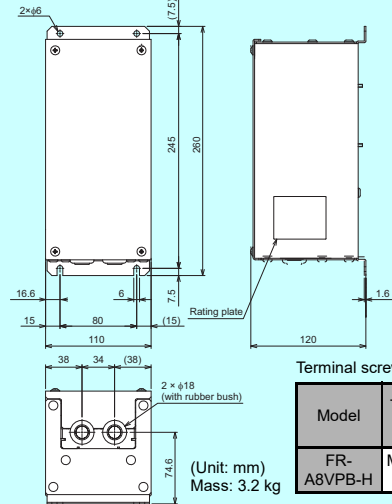
<<FR-A8BL2-H315K to H500K>>

This is an example of the outer appearance, which differs depending on the model.

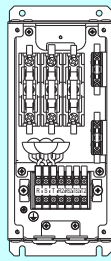


<<FR-A8VPB-H>>

Outline dimension drawings



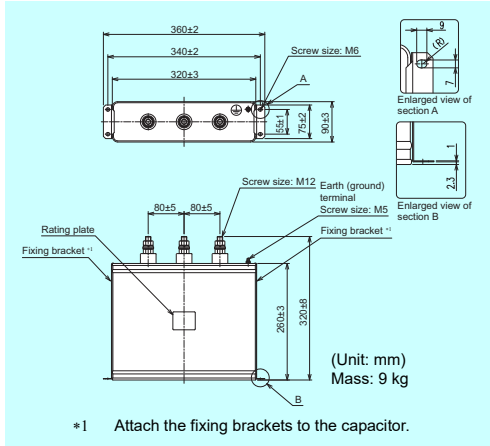
Terminal block



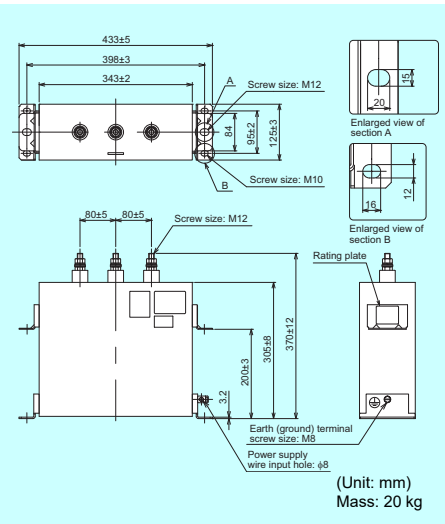
Terminal screw size

Model	Terminals R, S, T, R2, RS2, TS2, and T2	Earth (ground) terminal
FR-A8VPB-H	M3.5	M3.5

<<FR-A8BC-H400K>>

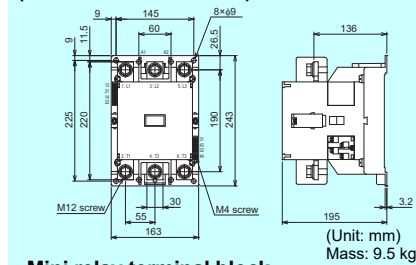


<<FR-A8BC-H500K>>

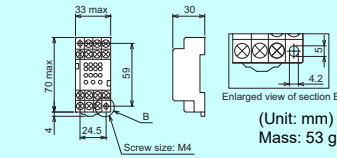


<<FR-A8MC-H355K, H500K>>

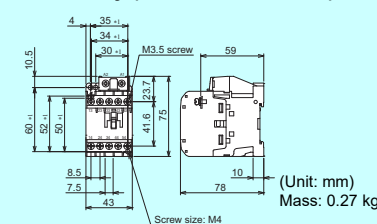
Inrush current limit MC (S-N400 AC200 V 2A2B)



Mini relay terminal block

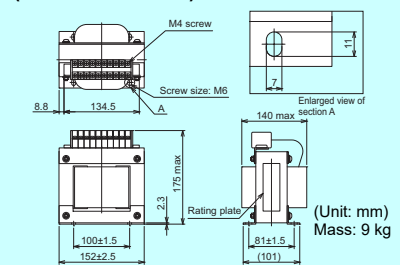


Buffer relay (SR-T5 AC200 V 5 A)

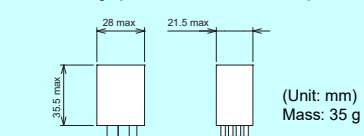


*1 The position of the upper-left mounting hole is selectable. Combinations of the horizontal and vertical dimensions are as follows: 35 and 60, 30 and 60, 34 and 52, 35 and 50-52.

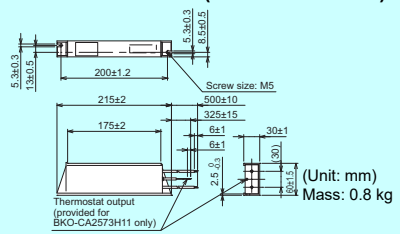
MC power supply stepdown transformer (BKO-CA2571H01)



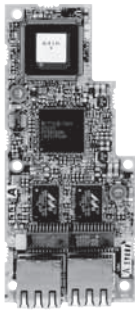
Mini relay (MYQ4Z AC200/220)



Inrush current limit resistor with thermostat (BKO-CA2573H11) without thermostat (BKO-CA2573H01)

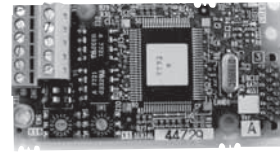


Plug-in option (for communication)



800 series plug-in option example: FR-A8NCE

This option can be mounted in the 800 series inverter.
The FR-A800 series has an inverter with communication function.



700 series plug-in option example: FR-A7NP

This option can be mounted in the 700 series inverter. Some of the plug-in options of the FR-E700 series have "E-kit" attached to their names. This denotes that the option is sold as a kit and comes with a dedicated front cover (standard control circuit terminal model). The FR-E700 series also has an inverter with communication function.

For the communication option, only one option is connectable.

CC-Link IE TSN communication

FR-A8NCG (A800) (A800 Plus) (F800)
Built-in FR-A800-GN (A800)

Data can be transmitted to IT systems while performing real-time cyclic communication control. Real-time monitoring using time synchronization enables trouble analysis right after an error has occurred.

●Specifications

Item	Description	
Transmission speed	1 Gbps/100 Mbps	
Minimum synchronization cycle	125.00 μs	
CC-Link IE TSN authentication class	B	
Communication method	Time sharing method	
Synchronization function	Compliant with IEEE 802.1AS and IEEE 1588v2	
Maximum number of connected units	121 units (sum of master and remote stations)	
Topology	Line, star*1, ring*2, or a combination of line and star	
Connection cable	Ethernet cable (IEEE 802.3 1000BASE-T compliant cable or ANSI/TIA/EIA-568-B (Category 5e) compliant shielded 4-pair branched cable)	
Connector	Shielded RJ-45	
Node type	Remote station	
Maximum distance between nodes	100 m	
Maximum number of branches	No upper limit within the same Ethernet system	
Maximum cyclic size (of one node)	RX	64 bits
	RY	64 bits
	RWr	128 words
	RWw	128 words

- *1 To connect only the authentication class B devices in star topology when the communication speed of the master station is 1 Gbps, use a CC-Link IE TSN compatible switching hub (TSN switching hub).
- *2 Ring topology will be supported later.

Plug-in option (for communication)

CC-Link IE Field Network communication

FR-A8NCE (A800) (A800 Plus) (F800)
 Built-in FR-A800-GF (A800)
 FR-A7NCE (A701)

Gigabit transmission (1 Gbps) enables super-high speed communication.

Network configuration is flexible with different types of topologies.

CC-Link IE Field Network uses widely available Ethernet components, such as Ethernet cables and connectors.

● Specifications

Item	Description	
Type	Inverter plug-in option type, RJ-45 connector connection method	
Power supply	Supplied from the inverter	
Transmission speed	1 Gbps	
Communication method	Token passing	
Number of units connected	120 units at max. (64 units when all stations are inverters handling 128-word transmissions.) Different devices can be connected together.	
Maximum distance between nodes	100 m	
Maximum number of branches	No upper limit within the same Ethernet system	
Topology	Line, star, ring, or a combination of line and star	
Connection cable	Ethernet cable (IEEE 802.3 1000BASE-T compliant cable or ANSI/TIA/EIA-568-B (Category 5e) compliant shielded 4-pair branched cable)	
Connector	Shielded RJ-45	
Node type	Intelligent device station	
Maximum cyclic size (of one node)	RX	64 bits
	RY	64 bits
	RWr	128 words
	RWw	128 words

CC-Link communication

FR-A8NC (A800) (A800 Plus) (F800) FR-A8NC E kit (E800)
 FR-A7NC (A701) FR-A7NC E kit (E700)
 Built-in FR-E700-NC (E700)

Has a maximum communication speed of 10 Mbps. Because the system employs the bus connection method, even if a module system fails due to power off, it will not affect the communication with other normal modules.

● Specifications

Item	Description
Network topology	Bus
Station type	Remote device station
Number of connectable devices	42 units maximum (occupy 1 station/unit), can be shared with other models
Supported version	Ver. 2.00 supported
Communication speed	Selectable from among 156 kbps/625 kbps/2.5 Mbps/5 Mbps/10 Mbps
Overall extension	1200 m/600 m/200 m/150 m/100 m (corresponding to the above communication speed)
Connection cable	Twisted pair cable

SSCNET III(/H) communication

FR-A8NS (A800) (A800 Plus)
FR-A7NS (A701)

By communication with the Mitsubishi Electric motion controller, inverter operation and monitoring from the program on the motion controller are enabled. (SSCNET III/H communication is supported by the FR-A8NS only.)

SSCNET III(/H), which is optical network, realizes reduction in wiring length, reliability improvement, synchronous control performance improvement, and multi-axis batch control using a motion controller.

To use vector control with FR-A800 series inverters, one of the following options is required: FR-A8AP, FR-A8AL, FR-A8APR, FR-A8APS, FR-A8APA, FR-A8TP. To use vector control with FR-A700 series inverters, one of the following options is required: FR-A7AP or FR-A7AL.

● Specifications

Item	SSCNET III	SSCNET III/H
Compatible options	FR-A8NS, FR-A7NS	FR-A8NS
Communication speed	50 Mbps for two-way	150 Mbps for two-way
Wiring distance between stations	Up to 50 m	Up to 100 m
Overall length	Up to 800 m	Up to 1600 m
Selectable calculation cycle	0.444 ms, 0.888 ms or more	0.222 ms, 0.444 ms, 0.888 ms or more
Number of connectable devices	16 axis maximum	
Connection cable	SSCNET III cable (refer to page 32) MR-J3BUS[M] (0.15 m, 0.3 m, 0.5 m, 1 m, 3 m): standard code for enclosure MR-J3BUS[M]-A (5 m, 10 m, 20 m): standard cable for outside enclosure MR-J3BUS[M]-B (30 m, 40 m, 50 m): long-distance cable	

There are some restrictions on the SSCNET III communication according to the setting of calculation cycle.

Calculation cycle	Restrictions for the SSCNET III communication
0.222 ms	Not applicable.
0.444 ms	Up to 8 axes controlled in a system.*1 Set the axis number between 0 to 7 using the axis number switch on the FR-A8NS/FR-A7NS. An inverter set as the axis number between 8 to F cannot be recognized.
0.888ms or more	No restriction.

*1 If this calculation cycle is set for the system requiring 9 axes or more, the calculation cycle of 0.888 ms is applied.

DeviceNet™ communication

FR-A8ND (A800) (A800 Plus) (F800) FR-A8ND E kit (E800)
FR-A7ND (A701) FR-A7ND E kit (E700)

DeviceNet employs CAN (Controller Area Network) and is widely used in the automotive industry.

● Specifications

Item	Description
Network topology	Bus (trunk line · branch line)
Number of connectable devices	64 inverters (including master)
Communication speed	Selectable from among 125 kbps/250 kbps/500 kbps
Overall extension	500 m/250 m/100 m (corresponding to the above communication speed)
Connection cable	DeviceNet standard thick cable or thin cable (5 wire twisted pair cable)

PROFIBUS-DP communication

FR-A8NP (A800) (A800 Plus) (F800) FR-A8NP E kit (E800)
FR-A7NP (A701) FR-A7NP E kit (E700)

Has a maximum communication speed of 12 Mbps. Widely used in FA operations of the automotive and transportation industries.

● Specifications

Item	Description
Network topology	Bus
Number of connectable devices	126 inverters (including master and repeater)
Communication speed	9.6 kbps, 19.2 kbps, 93.75 kbps/187.5 kbps/500 kbps, 1.5 Mbps/3.0 Mbps, 6.0 Mbps, 12.0 Mbps
Overall extension	1200 m/600 m/200 m/100 m (corresponding to the above communication speed)
Connection cable	Profibus communication cable

Plug-in option (for communication)

LONWORKS[®] communication

FR-A8NL (F800)
FR-A7NL (A701) FR-A7NL Ekit (E700)

Decentralized control without master assures that the whole system will not stop even if any of the station fails. In addition, communication traffic can be restricted.

● Specifications

Item	Description
Network topology	Bus, free topology
Number of nodes occupied	One inverter occupies one node.
Number of connectable devices	64 units maximum including inverters in the same segment
Communication speed	78 kbps
Overall extension	Free topology: 500 m maximum, bus topology: 2700 m maximum
Connection cable	Twisted pair cable

FL remote communication

FR-A8NF (A800) (A800 Plus) (F800)
FR-A7NF (A701)
Built-in FR-E700-NF (E700)

A high speed communication of 100Mbps is obtained with an Ethernet-based network.

● Specifications

Item	Description
Network topology	Star (connection with a hub in the center), Star bus (connection with multiple hubs)
Number of connectable devices	64 units
Communication speed	10 Mbps/100 Mbps (auto detection)
Overall extension	2000 m (Between node-hub: 100 m maximum, between hubs: 100 m maximum)
Connection cable	FL-net dedicated cable

Other communication options

Communication is also possible using the following options manufactured by HMS Industrial Networks AB. Please contact your sales representative for information on supported models.

● EtherCAT[®] communication

A8NECT_2P

E7NECT_2P: FR-E700-TM only.

● EtherNet/IP communication

A8NEIP_2P

● PROFINET communication

A8NPRT_2P

● PROFIBUS-DP communication (DP-V1)

A8NDPV1

Control terminal option

Vector control terminal block

FR-A8TP (A800) (A800 Plus)

Use the option in exchange with standard control circuit terminals. The 24 VDC power supply can be used for the encoder of the SF-V5RU.

●Control terminal specifications

<<Input signal>>

Function	Terminal symbol	Common	Terminal name	Rated specification
Contact input	D11 to D14	SD (sink (negative common)) PC (source (positive common))	Digital input terminal 1 to 4	Input resistance: 4.7 kΩ Voltage when contacts are open: 21 to 27 VDC Current when contacts are short-circuited: 4 to 6 mADC When terminal D14 is used as a pulse train input terminal: Input resistance: 2 kΩ When contacts are short-circuited: 8 to 13 mADC
	OH		Thermal protector input	Input resistance: 940 Ω Voltage when contacts are open: 21 to 27 VDC Current when contacts are short-circuited: 140 to 180 mADC
Encoder signal	PA3	Differential line driver: — Complementary: SD	Control terminal option / A-phase signal input terminal	Differential line driver/ Complementary
	PAR3		Control terminal option / A-phase inverse signal input terminal	Differential line driver
	PB3		Control terminal option / B-phase signal input terminal	Differential line driver/ Complementary
	PBR3		Control terminal option / B-phase inverse signal input terminal	Differential line driver
	PZ3		Control terminal option / Z-phase signal input terminal	Differential line driver/ Complementary
	PZR3		Control terminal option / Z-phase inverse signal input terminal	Differential line driver
	PG	SD	Encoder power supply terminal (positive side)	—

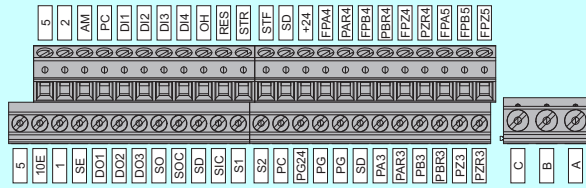
Specifications are the same as those of the standard control circuit terminals for the input signals (STF, STR, RES, SD, PC, 10E, 2, 1, 5, and +24) and the output signals (A, B, C, AM, S1, S2, SIC, So (SO), and SOC).

<<Output signal>>

Function	Terminal symbol	Common	Terminal name	Rated specification
Open collector	DO1 to DO3	SE	Digital output terminal 1 to 3	Open collector output Permissible load: 24 to 27 VDC, 0.1 A
Encoder pulse dividing output	FPA5	SD	Control terminal option / Encoder A-phase output terminal	Open collector output Permissible load: 24 to 27 VDC, maximum 50 mA
	FPB5		Control terminal option / Encoder B-phase output terminal	
	FPZ5		Control terminal option / Encoder Z-phase output terminal	
	FPA4	—	Control terminal option / Encoder differential A-phase output terminal	Differential line driver output Permissible load: 40 mA
	FPAR4		Control terminal option / Encoder differential A-phase inverse signal output terminal	
	FPB4		Control terminal option / Encoder differential B-phase output terminal	
	FPBR4		Control terminal option / Encoder differential B-phase inverse signal output terminal	
	FPZ4		Control terminal option / Encoder differential Z-phase output terminal	
	FPZR4		Control terminal option / Encoder differential Z-phase inverse signal output terminal	
	PG24		SD	

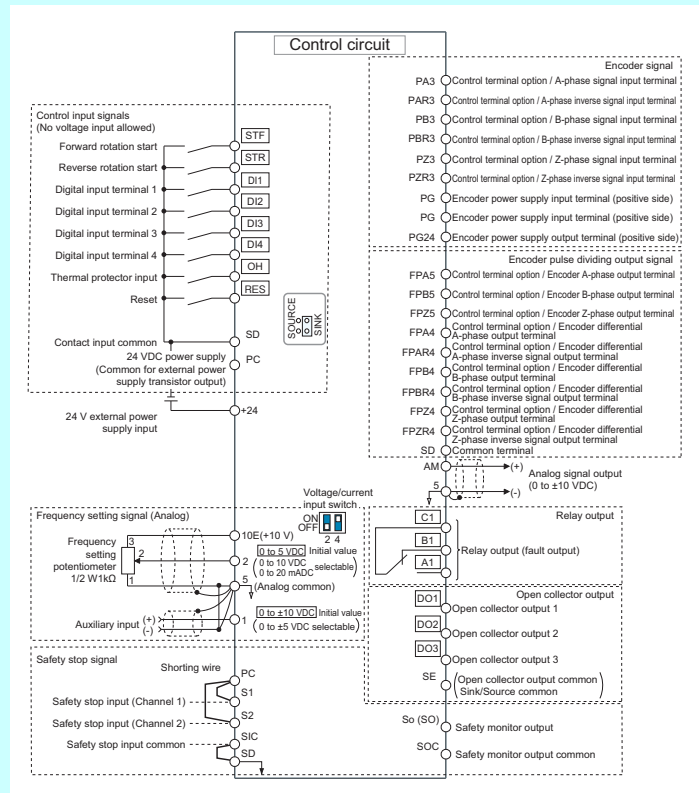
Control terminal option

Terminal layout



Tightening torque: 0.5 N·m to 0.6 N·m (terminals A, B, and C)
 0.22 N·m to 0.25 N·m (terminals other than described above)
 Small flat-blade screwdriver (Tip thickness: 0.4 mm / tip width: 2.5 mm)

Terminal connection diagram (sink logic)



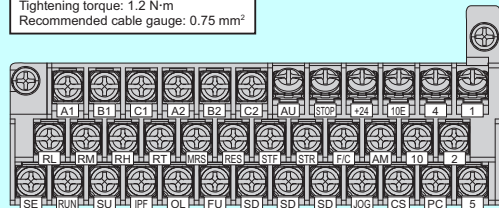
Screw terminal block

FR-A8TR (A800) (A800 Plus) (F800)

The option replaces the standard control circuit terminal block.

Terminal layout

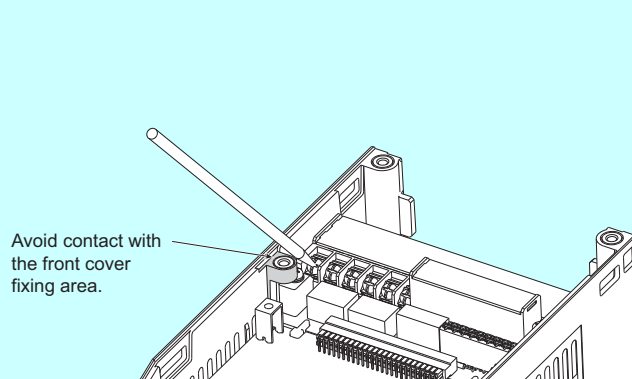
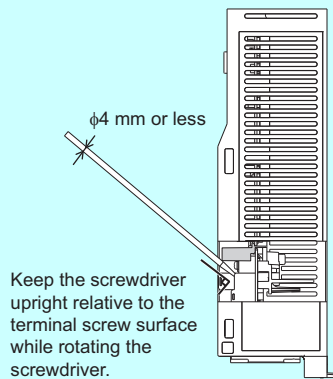
Terminal screw size: M3.5
 Tightening torque: 1.2 N·m
 Recommended cable gauge: 0.75 mm²



Restrictions for the FR-A8TR

As compared with the standard control circuit terminal block, the FR-A8TR has the following restrictions.

- Terminals +24, 10E, 4, STOP, and AU cannot be used when using the plug-in option FR-A8NS.
- Because the height is restricted, two wires cannot be wired to upper-row terminals (except for terminals A1, B1, C1, A2, B2, and C2) and middle-row terminals on the terminal block.
- The safety stop function is not available.
- For the connection to terminal 1, use a screwdriver with a diameter of 4 mm or less. To avoid contact with the front cover fixing area, put the screwdriver upright relative to the terminal screw surface.
- Not compatible with the FR-A800-E or FR-F800-E.



Screw type terminal block

FR-E8TE7 E800

This option has the screw type terminal block.

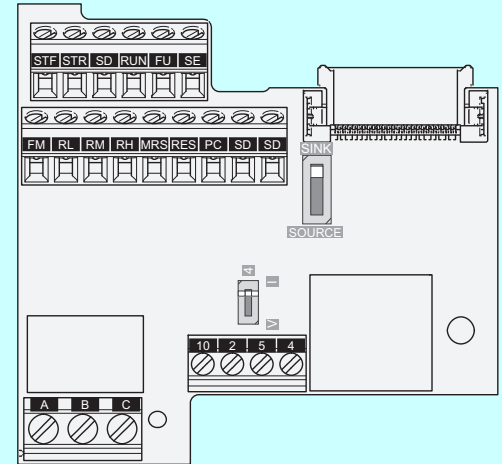
This option is useful for the replacement of the FR-E700 (standard control circuit terminal model) with the FR-E800.

As the removable FR-E8TE7 can be easily attached to replace the inverter's standard control circuit terminal block, it can be used immediately after the purchase of the inverter.

●Control terminal specifications

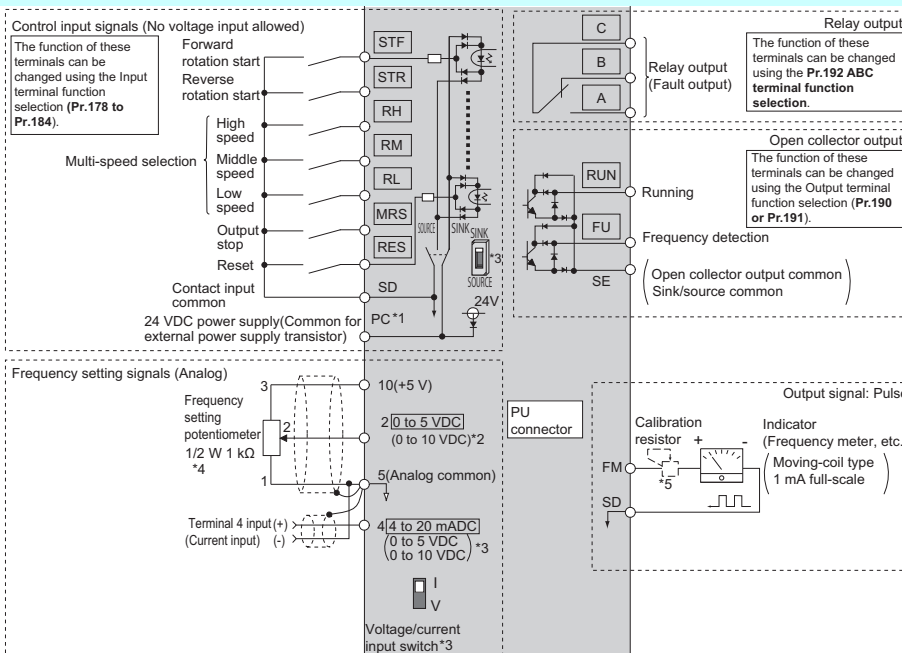
Terminal symbol	Common	Terminal name	Rated specification
Frequency setting	10	Power supply for a frequency setting potentiometer	5 ±0.5 VDC Permissible load current: 10 mA
	2	Frequency setting (voltage)	Input resistance: 10 to 11 kΩ Maximum permissible voltage: 20 VDC
	4	Frequency setting (current)	For current input, Input resistance: 245 ±5 Ω For voltage input, Input resistance: 10 to 11 kΩ Maximum permissible voltage: 20 VDC
Input signal (contact input)	STF*2	SD (sink (negative common))	Forward rotation start
	STR*2	PC (source (positive common))	Reverse rotation start
	RH, RM, RL*2	SE	Multi-speed selection
	MRS*2		Output stop
	RES*2		Reset
Output signal	Relay	A, B, C *3*4	Relay output (fault output)
	Open collector	RUN*3	Inverter running
		FU*3	Frequency detection
Pulse	FM	SD	For meter
			Permissible load current: 1 mA 1440 pulses/s at 60 Hz
Communication	RS-485	—	PU connector
			—

●Terminal layout



- *1 For details of Pr.73, Pr.267, refer to the FR-E800 Instruction Manual (Function).
- *2 Terminal functions can be selected using Pr.178 to Pr.184 (Input terminal function selection). (Refer to the FR-E800 Instruction Manual (Function).)
- *3 Terminal functions can be selected using Pr.190 to Pr.192 (Output terminal function selection). (Refer to the FR-E800 Instruction Manual (Function).)
- *4 To comply with the Low Voltage Directive (conforming standard EN 61800-5-1) and UL or cUL standards (conforming standard UL 61800-5-1), the operating capacity of the relay outputs (terminal symbols A, B, and C) should be 30 VDC, 0.3 A. (Relay output has basic isolation from the inverter internal circuit.)

●Connection diagram (sink logic)



- *1 To use terminals PC and SD for a 24 VDC power supply, check the wiring to avoid short circuit between these terminals.
- *2 Terminal input specifications can be changed by analog input specification switchover (Pr.73). This terminal is used for voltage input only.
- *3 Terminal input specifications can be changed by analog input specification switchover (Pr.267). To select voltage input (0 to 5 V / 0 to 10 V), set the voltage/current input switch to the "V" position. To select current input (4 to 20 mA), set the voltage/current input switch to the "I" position (initial setting). To use terminal 4 (current input at initial setting), assign "4" to any parameter from Pr.178 to Pr.184 (Input terminal function selection) before turning ON the AU signal.
- *4 It is recommended to use 2 W 1 kΩ when the frequency setting signal is changed frequently.
- *5 Not required when calibrating the scale with the operation panel.

Control terminal option

Control circuit terminal block with 12V encoder power supply FR-A7PS A701

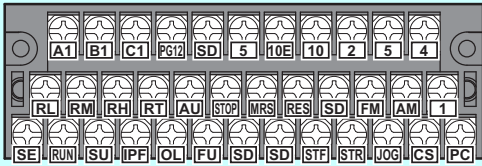
Use the option in exchange with standard control circuit terminals. This option enables the inverter to supply the 12 V power source for the encoder.

●Specifications

Terminal Symbol	Common	Terminal Name	Rated Specifications
PG12	SD	Encoder power supply terminal (Positive side)	12 VDC±10% Permissible maximum load current 150 mA

The control circuit terminal specifications not shown above are the same as the specifications of the standard terminal block.

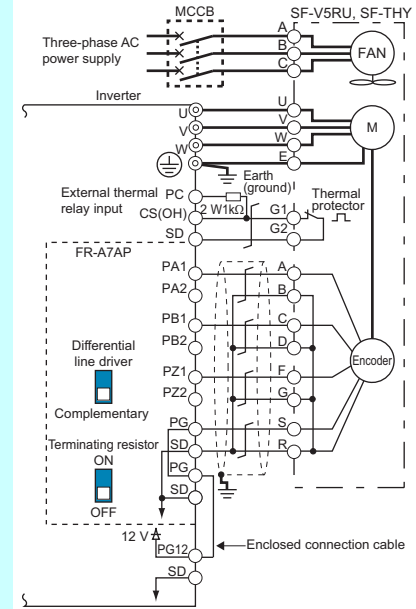
●Terminal layout



●Main differences and compatibilities with the standard terminal block

Standard Terminal Block	FR-A7PS
Without 12 VDC power supply for encoder	With 12 VDC power supply for encoder
Two relay contact terminals (terminal A1, B1, C1, A2, B2, C2)	One relay contact terminal (terminal A1, B1, C1)
Pr. 196 ABC2 terminal function selection	The Pr. 196 setting is invalid.
One terminal 5	Two terminal 5

●Wiring example of FR-A7AP (Sink logic)



RS-485 2-port terminal block

FR-E8TR E800

FR-E7TR E700

Use the option in exchange with standard control circuit terminals. (This option cannot be used simultaneously with the operation panel (FR-PA07) or parameter unit (FR-PU07).) This terminal block enables RS-485 communication. Multi-drop connection can be easily performed with separate input and output terminals.

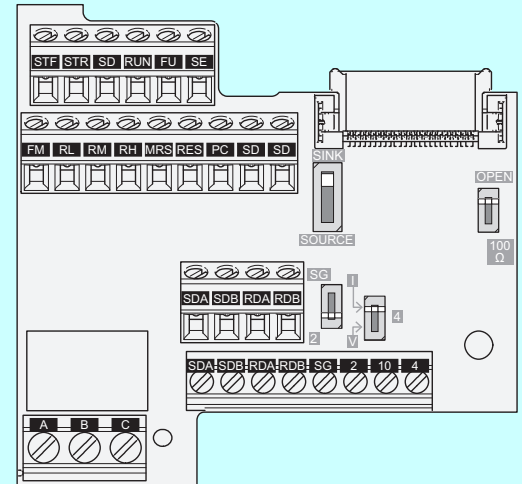
<<FR-E8TR>>

●Control terminal specifications

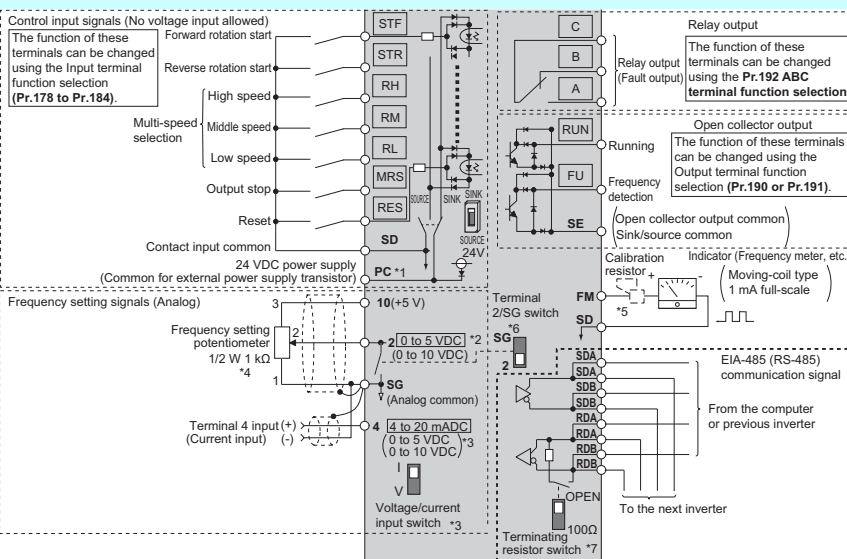
Terminal symbol	Common	Terminal name	Rated specification	
RS-485 communication	—	SDA (2 terminals)	Inverter send +	
		SDB (2 terminals)	Inverter send -	
		RDA (2 terminals)	Inverter receive +	
		RDB (2 terminals)	Inverter receive -	
Frequency setting	SG	10	Power supply for a frequency setting potentiometer 5 ±0.5 VDC Permissible load current: 10 mA	
		2	Frequency setting (voltage) / common terminal Input resistance: 10 to 11 kΩ Maximum permissible voltage: 20 VDC When selecting SG: Common terminal	
		4	Frequency setting (current) For current input, Input resistance 245 ±5 Ω Permissible maximum current: 30 mA For voltage input, Input resistance: 10 to 11 kΩ Maximum permissible voltage: 20 VDC	
Input signal (contact input)	SD (sink (negative common)) PC (source (positive common))	STF*2	Forward rotation start	
		STR*2	Reverse rotation start	
		RH, RM, RL*2	Multi-speed selection	
		MRS*2	Output stop	
		RES*2	Reset	
			Input resistance: 4.7 kΩ Voltage when contacts are open: 21 to 26 VDC Current when contacts are short-circuited: 4 to 6 mADC	
Output signal	A, B, C *3*4	Relay	Relay output (fault output) Contact capacity: 230 VAC 0.3 A (power factor = 0.4) 30 VDC 0.3 A	
		Open collector	RUN*3 FU*3 SE	Inverter running Permissible load: 24 VDC (27 VDC at maximum) 0.1 A (The voltage drop is 3.4 V at maximum while the signal is ON.)
		Pulse	FM SD	For meter Permissible load current: 1 mA 1440 pulses/s at 60 Hz

- *1 For details of Pr.73, Pr.267, refer to the FR-E800 Instruction Manual (Function).
- *2 Terminal functions can be selected using Pr.178 to Pr.184 (Input terminal function selection). (Refer to the FR-E800 Instruction Manual (Function).)
- *3 Terminal functions can be selected using Pr.190 to Pr.192 (Output terminal function selection). (Refer to the FR-E800 Instruction Manual (Function).)
- *4 To comply with the Low Voltage Directive (conforming standard EN 61800-5-1) and UL or cUL standards (conforming standard UL 61800-5-1), the operating capacity of the relay outputs (terminal symbols A, B, and C) should be 30 VDC, 0.3 A. (Relay output has basic isolation from the inverter internal circuit.)

●Terminal layout



●Connection diagram (sink logic)



- *1 To use terminals PC and SD for a 24 VDC power supply, check the wiring to avoid short circuit between these terminals.
- *2 Terminal input specifications can be changed by analog input specification switchover (Pr.73). This terminal is used for voltage input only.
- *3 Terminal input specifications can be changed by analog input specification switchover (Pr.267). To select voltage input (0 to 5 V / 0 to 10 V), set the voltage/current input switch to the "V" position. To select current input (4 to 20 mA), set the voltage/current input switch to the "I" position (initial setting). To use terminal 4 (current input at initial setting), assign "4" to any parameter from Pr.178 to Pr.184 (Input terminal function selection) before turning ON the AU signal.
- *4 It is recommended to use 2 W 1 kΩ when the frequency setting signal is changed frequently.
- *5 Not required when calibrating the scale with the operation panel.
- *6 Set the switch to the SG position to pass a shielded wire across terminal SG.
- *7 Set only the terminating resistor switch of the remotest inverter to the "100 Ω" position.

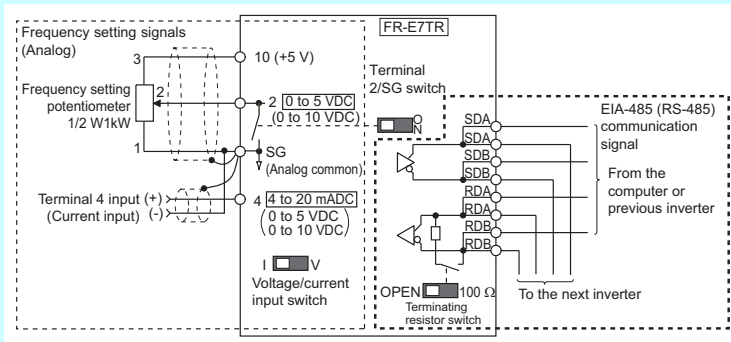
Control terminal option

<<FR-E7TR>>

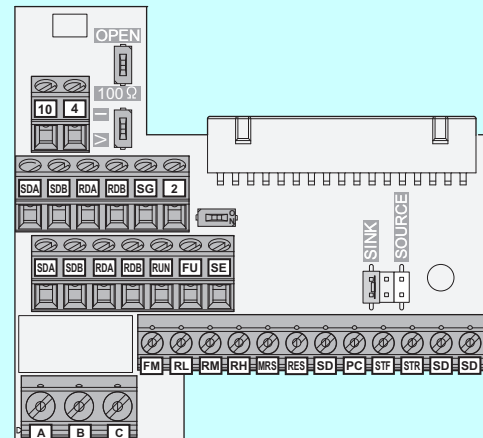
●Control terminal specifications

Terminal Symbol	Common	Terminal Name	Rated Specifications														
RS-485 communication	—	Inverter send+	<table border="1"> <thead> <tr> <th>Item</th> <th>Description</th> </tr> </thead> <tbody> <tr> <td>Communication protocol</td> <td>Mitsubishi inverter protocol (computer link communication), MODBUS[®]RTU protocol</td> </tr> <tr> <td>Conforming standard</td> <td>EIA-485 (RS-485)</td> </tr> <tr> <td>Number of connectable devices</td> <td>32 units maximum</td> </tr> <tr> <td>Communication speed</td> <td>4800/9600/19200/38400 bps</td> </tr> <tr> <td>Communication method</td> <td>Half-duplex system</td> </tr> <tr> <td>Terminating resistor</td> <td>100 Ω (valid/invalid can be changed with a terminating resistor switch)</td> </tr> </tbody> </table>	Item	Description	Communication protocol	Mitsubishi inverter protocol (computer link communication), MODBUS [®] RTU protocol	Conforming standard	EIA-485 (RS-485)	Number of connectable devices	32 units maximum	Communication speed	4800/9600/19200/38400 bps	Communication method	Half-duplex system	Terminating resistor	100 Ω (valid/invalid can be changed with a terminating resistor switch)
		Item		Description													
		Communication protocol		Mitsubishi inverter protocol (computer link communication), MODBUS [®] RTU protocol													
		Conforming standard		EIA-485 (RS-485)													
Number of connectable devices	32 units maximum																
Communication speed	4800/9600/19200/38400 bps																
Communication method	Half-duplex system																
Terminating resistor	100 Ω (valid/invalid can be changed with a terminating resistor switch)																
SDA (2 terminals)	Inverter send-																
SDB (2 terminals)	Inverter receive+																
RDA (2 terminals)	Inverter receive-																
RDB (2 terminals)																	
Frequency setting	SG	Frequency setting power supply	5.2 VDC±0.2 V Permissible load current 10 mA														
		Frequency setting (voltage)/Common terminal	When voltage is input: input resistance 10 kΩ±1 kΩ Permissible maximum load voltage 20 VDC When selected with SG: common terminal														
		Frequency setting (current)	When current is input: input resistance 233 Ω±5 Ω Permissible load current 30 mA When voltage is input: input resistance 10 kΩ±1 kΩ Permissible maximum load voltage 20 VDC														

●Terminal connection diagram



●Terminal layout



Dedicated cable option

Encoder cable

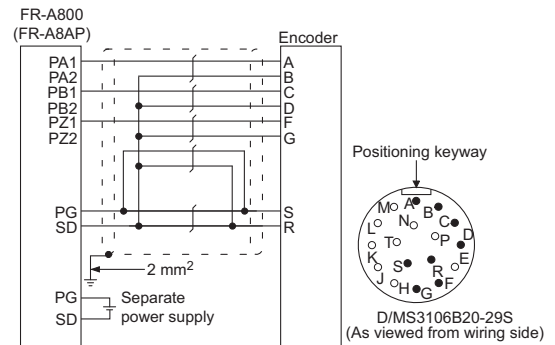
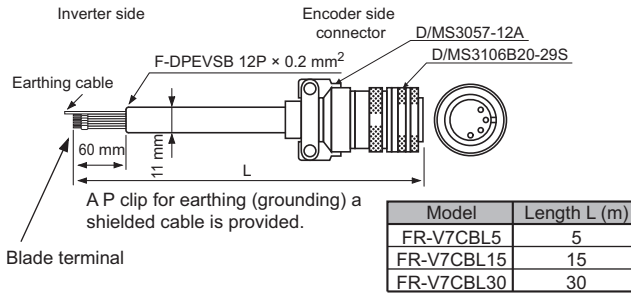
FR-V7CBL□□ (A800) (A800 Plus) (E800) (A701)
 FR-JCBL□□ (A800) (A800 Plus) (E800) (A701)

Dedicated cable for connecting encoder signal from the motor to the inverter.

●Outline dimension drawings, connection diagram

<<FR-V7CBL□□>>

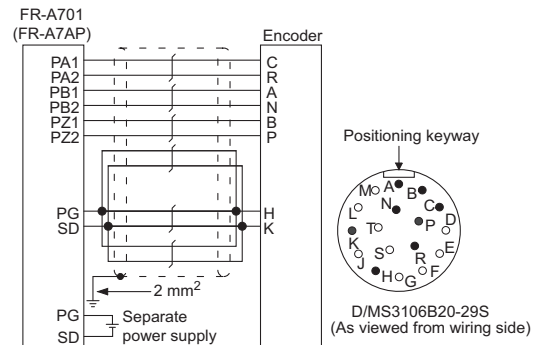
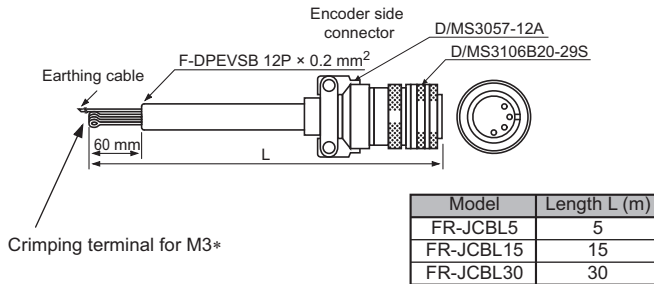
Motor: SF-PR-SC*1/SF-V5RU
 Option: FR-A8AP/FR-A8AL/FR-A8TP/FR-A7AP/FR-A7AL



*1 When using the SF-PR(F)O-SC and the SF-PRP-SC, use the FR-B4CBL.
 As the FR-B4CBL is not outdoor type or dustproof/waterproof type cable, use a conduit for wiring.

<<FR-JCBL□□>>

Motor: SF-JR with encoder
 Option: FR-A8AP/FR-A8AL/FR-A8TP/FR-A7AP/FR-A7AL



* Change to blade terminal when used with the FR-A8AP/FR-A8AL/FR-A8TP/FR-A7AP/FR-A7AL.

Dedicated cable option

SSCNET III cable


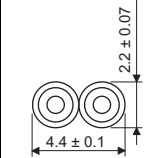
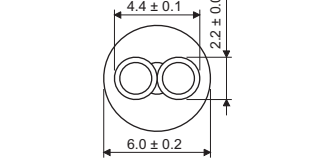
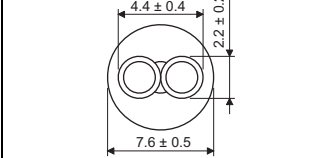
MR-J3BUS[M(-A, -B) A800 A800 Plus A701

Dedicated cables are available for SSCNET III(H) connection. The cables can be used for the inverter with the following plug-in options.

800 series: FR-A8NS

700 series: FR-A7NS

Specifications

Model*1		MR-J3BUS[M		MR-J3BUS[M-A	MR-J3BUS[M-B
Applications		Standard code for enclosure		Standard cable for outside enclosure	Long distance cable
Flexing life		Standard		Standard	High flexion
Length (m)		0.15	0.3 to 3	5 to 20	30 to 50
Optical cable (code)	Minimum bending radius (mm)*2	25		Reinforced sheath portion of cable: 50 Code section: 25	Reinforced sheath portion of cable: 50 Code section: 30
	Tension strength	70 N	140 N	420 N (Reinforced sheath portion of cable)	980 N (Reinforced sheath portion of cable)
	Operating temperature range*3	-40 to 80 °C			-20 to 70 °C
	Atmosphere	Indoor (avoid direct sunlight) No medium nor oil should be attached			
Appearance (mm)					

*1 [] of model indicates the cable length.

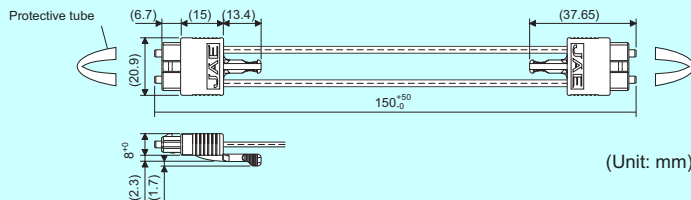
Symbol	015	03	05	1	3	5	10	20	30	40	50
Length (m)	0.15	0.3	0.5	1	3	5	10	20	30	40	50

*2 Make sure to lay the cable with greater radius than the minimum bend radius. Do not press the cable to edges of equipment or others.

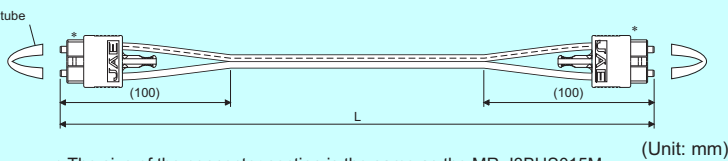
*3 This operating temperature range is the value for optical cable (code) only. The temperature conditions of the connector section is the same as the inverter.

Outline dimension drawings

<<MR-J3BUS015M>>



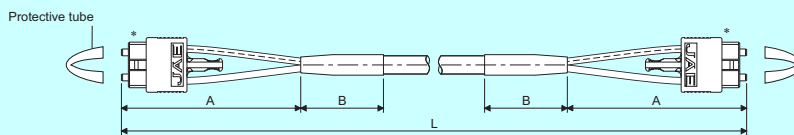
<<MR-J3BUS03M to MR-J3BUS3M>>



* The size of the connector section is the same as the MR-J3BUS015M.

Cable Model	MR-J3BUS03M	MR-J3BUS05M	MR-J3BUS1M	MR-J3BUS3M
Length L (m)	0.3	0.5	1	3

<<MR-J3BUS5M-A to MR-J3BUS20M-A, MR-J3BUS30M-B to MR-J3BUS50M-B>>



* The size of the connector section is the same as the MR-J3BUS015M.

Cable Model	MR-J3BUS5M-A	MR-J3BUS10M-A	MR-J3BUS20M-A	MR-J3BUS30M-B	MR-J3BUS40M-B	MR-J3BUS50M-B
Length A (mm)	100			150		
Length B (mm)	30			50		
Length L (m)	5	10	20	30	40	50

Operation panel option

LCD operation panel

FR-LU08(-01) A800 A800 Plus F800 E800

The option is not compatible with the FR-E800-E, FR-E800-SCE and FR-E806.

The LCD operation panel is capable of displaying text and menus.

●Features

- Replacement with the operation panel (FR-DU08) and installation on the enclosure surface using a connection cable (FR-CB2) are possible. (To connect the FR-LU08, an optional operation panel connection connector (FR-ADP) is required.)
- Parameter settings for up to three inverters can be stored.
(For the FR-E800 series, parameter settings of one inverter can be stored.)
- When the FR-LU08 is connected to the inverter, the internal clock of the inverter can be synchronized with the clock of FR-LU08. (Real time clock function)
With a battery (CR1216), the FR-LU08 time count continues even if the main power of the inverter is turned OFF. (The time count of the inverter internal clock does not continue when the inverter power is turned OFF.)
- The FR-LU08-01 meets the IP55 rating (except for the PU connector).



FR-LU08

Parameter unit

FR-PU07 ALL

The option is not compatible with the FR-E800-E, FR-E800-SCE and FR-E806.

Interactive parameter unit with LCD display.

●Features

- Remove an operation panel to connect a parameter unit.
- Setting functionality such as direct input method with a numeric keypad, operation status indication, and help function are usable.
- Eight languages can be displayed.
- The FR-PU07 can store parameter settings of up to three inverters.
(For the FR-A800, FR-A800 Plus, FR-F800, and FR-E800 series, parameter settings of one inverter can be stored.)



FR-PU07

Parameter unit with battery pack FR-PU07BB(-L) A800 A800 Plus F800 E800 A701 E700

The option is not compatible with the FR-E800-E, FR-E800-SCE and FR-E806.

This parameter unit enables parameter setting without connecting the inverter to power supply.

Uses 4 × AA batteries. Can also be powered by an external 100 VAC power supply.

●Specifications

Item	Description								
Power supply	• When driven by batteries				AA batteries four (nickel hydride(NiMH)/alkali)				
	• When driven by external power supply (100 VAC)				AC adaptor *1				
	• When power is applied to the inverter				Power is supplied from the PU connector of the inverter.				
Battery life *2					Alkaline battery			Nickel metal hydride battery	
		A800/ F800	E800	A701	E700	A800/ F800	E800	A701	E700
	Battery life	Approx. 90 min	Approx. 260 min	Approx. 90 min	Approx. 260 min	Approx. 120 min	Approx. 340 min	Approx. 120 min	Approx. 340 min
	Battery exhaustion warning lamp color changing start time From green to orange (at lowering of battery power)				Approx. 10 min before			Approx. 10 min before	
Switch / connector	Battery ON/OFF switch Modular connector for inverter connection and connector for AC adaptor connection								
Display functions	Alarm LED for battery exhaustion, Other display is the same as the FR-PU07.								
Provided appliances	AA alkali battery (for operation check) four *3				Connection cable (FR-CB203) one				



FR-PU07BB(-L)

*1 Use an AC adapter with the following specifications.

Output specifications	Rated voltage	5.0 VDC±5% or less
	Rated current	2 A or more
	Polarity	Plus polarity in the center.
	Plug	JEITA RC-5320A compliant

*2 The battery life is a reference value. It differs depending on the battery and the usage.

*3 Batteries are not included in FR-PU07BB-L.

Operation panel option

Operation panel connection connector Enclosure surface operation panel

FR-ADP (A800) (A800 Plus) (F800) (A701)

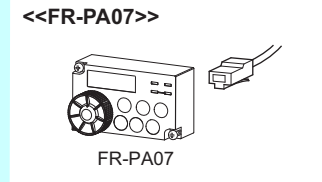
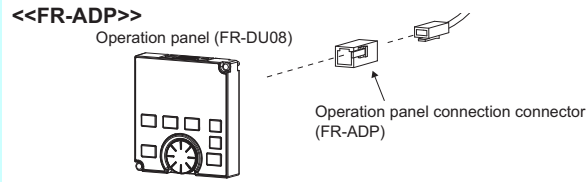
FR-PA07 (E800) (E700) (F700PJ) (D700)

The option is not compatible with the FR-E800-E, FR-E800-SCE and FR-E806.

FR-ADP Use this connector to mount an operation panel, which is detached from a 800 series or FR-A701 series inverter, to an enclosure surface.

FR-PA07 This operation panel can be mounted to an enclosure surface to enable inverter operation and monitoring of frequency, etc. (This product does not have the parameter copy function.)

●Appearance diagram



Parameter unit connection cable

FR-CB20□ (ALL)

The option is not compatible with the FR-E800-E, FR-E800-SCE and FR-E806.

This cable is for connection of operation panel or parameter unit.

●Specifications

Model	Length
FR-CB201	1 m
FR-CB203	3 m
FR-CB205	5 m

Software

FR Configurator2

SW1DND-FRC2 (A800) (A800 Plus) (F800) (E800) (E700)

This product contains FR-SW3-SETUP-WE and FR-SW1-SETUP-WE software.

From inverter startup to maintenance, this versatile software allows the user to specify settings easily at the computer.

<<SW1DND-FRC2>>

The connection with a personal computer can be easily established with a USB cable.

By loading trace data and parameter settings copied to a USB memory device into FR Configurator2, analysis and adjustments can be carried out with ease away from the equipment.

Connected inverters are displayed in tree view format. Windows for each function can be accessed by changing the tab for maximum efficiency.

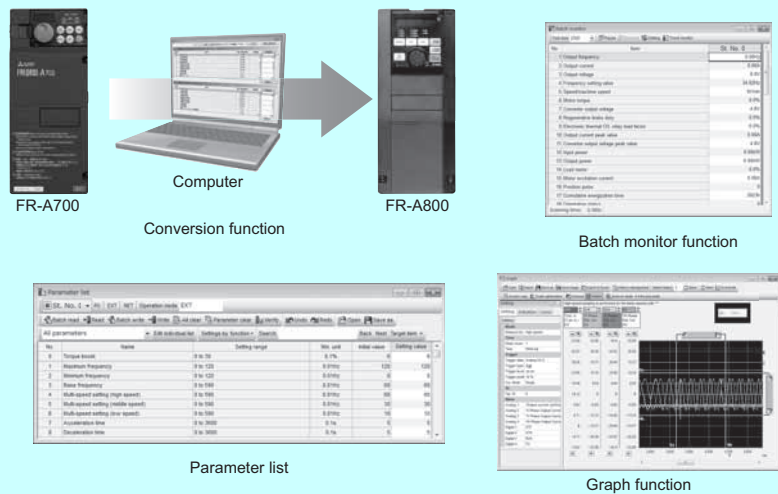
The Developer function is used for creating sequence programs and writing them to the inverter to enable the use of the PLC function of the inverter.

●Specifications (compatible operating systems)

Windows® 11 (Home, Pro, Enterprise), Windows® 10 (Home, Pro, Enterprise, IoT Enterprise (64-bit))

●Function

- System settings (available in the free trial version)
- Test operation (available in the free trial version)
- Conversion function (available in the free trial version)
- Ethernet parameter setting (available in the free trial version)
- Parameter list (available in the free trial version)
- USB memory parameter copy file edit
- Batch monitor function
- Offline auto tuning
- Diagnosis (fault history) (available in the free trial version)
- AI fault diagnosis
- Help (available in the free trial version)
- Graph function
- Service life check (available in the free trial version)
- Developer function
- Firmware Update Tool (available in the free trial version)



The free trial version with limited functions can be downloaded at Mitsubishi Electric FA Global Website.

Function	Free trial version
Parameter list	○
Diagnosis	○
AI fault diagnosis	×
Graph	×
Batch monitor	×
Test operation	○
Convert	○
Developer	×

Function	Free trial version
USB memory parameter copy file edit	×
Ethernet parameter setting	○
iQSS backup file conversion	○
Firmware Update Tool	○
Help	○

A full functional trial version, which has the same functionality as the release version, is also offered for a limited period of 30 days.

Software

<<FR-SW3-SETUP-WE>>

It is connected to the inverter through RS-485 communication. The FR-A701 and E700 series inverters can be easily connected to the personal computer with USB cable.

Use FR-SW3-SETUP-WE (CC-Link seamless) to facilitate setups via CC-Link communication.

●Specifications

Type	FR-SW3-SETUP-WJ	FR-SW3-SETUP-WJ (CC-Link seamless)
Supported inverters	FR-A701, FR-E700 *1, FR-F700PJ, FR-D700	FR-A701, FR-E700 *1
Supported OS	Windows® 10, Windows® 8.1, Windows® 8.1 (Pro, Enterprise), Windows® 8, Windows® 7 (32-bit, 64-bit), Windows Vista® SP1 or more (32-bit)	

*1 Excluding the FR-E700-NF and FR-E700-NE.

●Function

- Parameter read, write
- Inverter operating status monitor
- Test operation
- High speed graph function with minimum of 1 ms sampling (only in case of USB cable connection *2)
- Easy setup function
- Convert function which automatically converts parameters of the conventional series inverters to the 700 series inverters *2
- I/O terminal function assignment function *2
- Life check function

*2 Not supported by FR-SW3-SETUP-WE (CC-Link seamless).

FR Configurator Mobile

A800 A800 Plus F800 E800

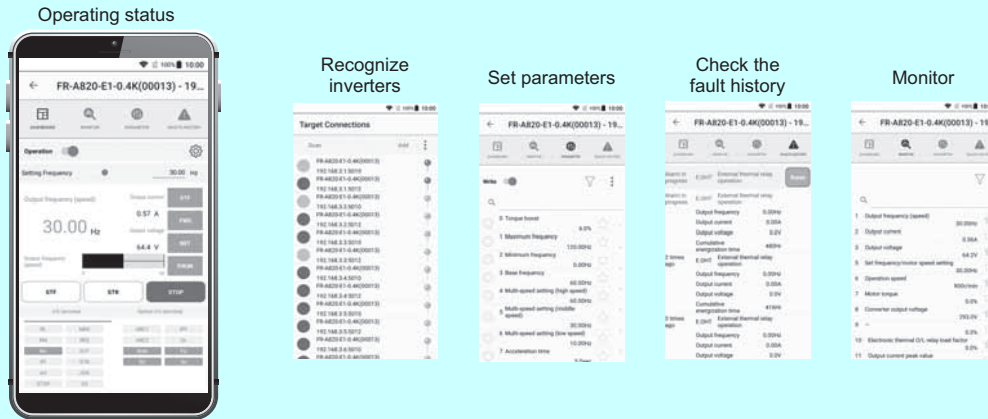
Wireless access with inverters from a remote location enables setting or changing of parameters, starting and stopping, and monitoring on the screen of mobile devices.

Users can easily monitor the inverter operation by checking data such as the running frequency and status of input and output terminals at a glance in one screen.

Wireless communication equipment must be prepared in the system that includes the inverter.

●Compatible inverters

FR-A800-E, FR-F800-E, FR-E800-E, FR-E800-SCE



USB cable

MR-J3USBCBL3M A800 A800 Plus F800 E800 E700

USB cable for communication with the inverter using the USB port of the PC.

(Since a USB connector for the FR-A701 series inverter is B connector, this cable cannot be used.)

●Appearance diagram

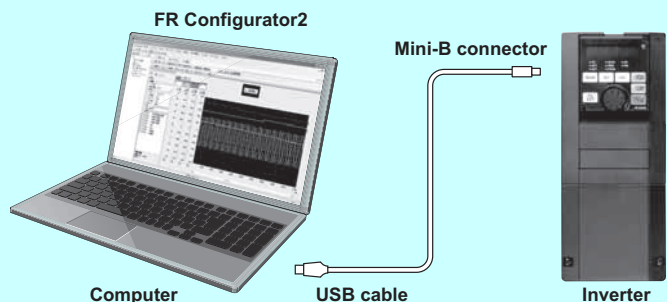
<<MR-J3USBCBL3M>>

Connector for inverter
Mini-B connector (5 pin)

Connector for personal computer
A connector



Cable length: 3 m



Reactor

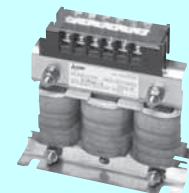
AC reactor

FR-HAL (A800) (A800 Plus) (F800) (E800) (E700) (F700PJ) (D700)

An AC reactor connected on the input side of the inverter improves power factor and reduces harmonic currents on the input side.

Specifications

Model FR-HAL-□□	200 V	400 V
	0.4K to 110K*1	H0.4K to H560K*1
Power factor improvement effect*2	Power factor at power supply: About 88% (92.3%*3) with 100% load	
Vibration	5.9 m/s ² or less 10 to 55 Hz (directions of X, Y, Z axes)	H110K or lower: 5.9 m/s ² or less H185K or higher: 2.9 m/s ² or less 10 to 55 Hz (directions of X, Y, Z axes)
Installation procedure	(H)55K or lower: horizontal plane installation or vertical plane installation (H)75K or higher: horizontal plane installation	

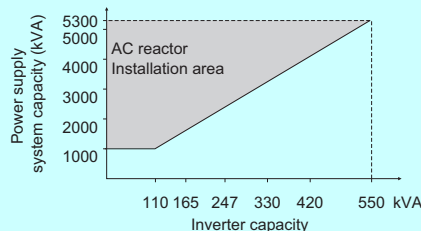


FR-HAL

- *1 Refer to the model in the table of outline dimension drawing for details of capacity.
- *2 Power factor stated above is the value when considering the power supply impedance is 1%. The value changes according to the power supply capacity and power supply impedance. The load is considered as 100% when the fundamental current value specified in JEM-TR201 is 100%. The power factor improving effect is slightly lower when the motor below 0.4 kW is used.
- *3 Improved power factor is about 88%. (It is 92.3% when calculated by applying 1 power factor to the reference waveform according to the Architectural Standard Specifications (Electrical Installation) (2013 revisions) supervised by the Ministry of Land, Infrastructure, Transport and Tourism of Japan.)

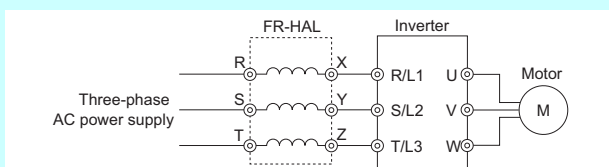
Selection

- Make selection according to the applicable motor capacity. (When the inverter capacity is larger than the motor capacity, make selection according to the motor capacity.)
- When the inverter is connected under a large-capacity power transformer (1000 kVA or more transformer) or when a power capacitor is to be switched over, an excessive peak current may flow in the power input circuit, damaging the inverter. Be sure to install an AC reactor in such a case.



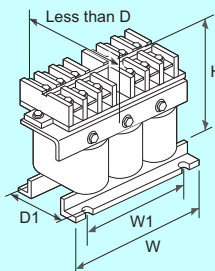
<Selection of reactor when using the large-capacity power transformer>

Connection diagram



Outline dimension drawings

- The appearance of a typical model. The shape differs according to each model.
- W1 and D1 indicate distances between installation holes. The installation hole size is indicated by d.
- Keep enough clearance around the reactor because it heats up. (Keep a clearance of minimum 10cm each on top and bottom and minimum 5cm each on right and left regardless of the installation orientation.)



(Unit: mm)

Model	W	W1	H	D	D1	d	Mass (kg)	Model	W	W1	H	D	D1	d	Mass (kg)		
200 V	0.4K	104	84	99	72	40	M5	0.6	400 V	H0.4K	135	120	115	59.6	45	M4	1.5
	0.75K	104	84	99	74	44	M5	0.8		H0.75K	135	120	115	59.6	45	M4	1.5
	1.5K	104	84	99	77	50	M5	1.1		H1.5K	135	120	115	59.6	45	M4	1.5
	2.2K	115	40	115	77	57	M6	1.5		H2.2K	135	120	115	59.6	45	M4	1.5
	3.7K	115	40	115	83	67	M6	2.2		H3.7K	135	120	115	70.6	57	M4	2.5
	5.5K	115	40	115	83	67	M6	2.3		H5.5K	160	145	150	72	55	M4	3.5
	7.5K	130	50	135	100	86	M6	4.2		H7.5K	160	145	150	91	75	M4	5.0
	11K	160	75	164	111	92	M6	5.2		H11K	160	145	146	91	75	M4	6.0
	15K	160	75	167	126	107	M6	7.0		H15K	220	200	195	105	70	M5	9.0
	18.5K	160	75	128	175	107	M6	7.1		H18.5K	220	200	212	155	70	M5	9.0
	22K	185	75	150	158	87	M6	9.0		H22K	220	200	212	155	70	M5	9.5
	30K	185	75	150	168	87	M6	9.7		H30K	220	200	212	153	75	M5	11
	37K	210	75	175	174	82	M6	12.9		H37K	220	200	211	160	100	M5	12.5
	45K	210	75	175	191	97	M6	16.4		H45K	280	255	242	165	80	M6	15
55K	210	75	175	201	97	M6	17.4	H55K	280	255	242	170	90	M6	18		
75K	240	150	210	213	109	M8	23	H75K	205	75	170	208	105	M6	20		
110K	330	170	325	258	127	M10	40	H110K	240	150	225	220	99	M8	28		
								H185K	330	170	325	270	142	M10	55		
								H280K	330	170	325	320	192	M10	80		
								H355K	330	170	325	340	192	M10	80		
								H560K	450	300	540	635	345	M12	190		

Reactor

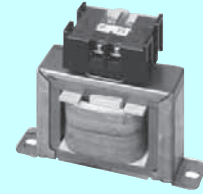
DC reactor

FR-HEL (A800) (A800 Plus) (F800) (E800) (E700) (F700PJ) (D700)

A DC reactor connected on the DC side of the inverter improves power factor and reduces harmonic currents on the input side.

● Specifications

Type FR-HEL-□□	200 V	400 V
	0.4K to 110K*1	H0.4K to H355K*1
Power factor improvement effect*2	Power factor at power supply: About 93% (94.4%*3)	
Vibration	5.9 m/s ² or less, 10 to 55 Hz (directions of X, Y, Z axes)	
Installation procedure	(H) 55K or lower: Horizontal installation or vertical installation (H) 75K or higher: Horizontal installation	



FR-HEL

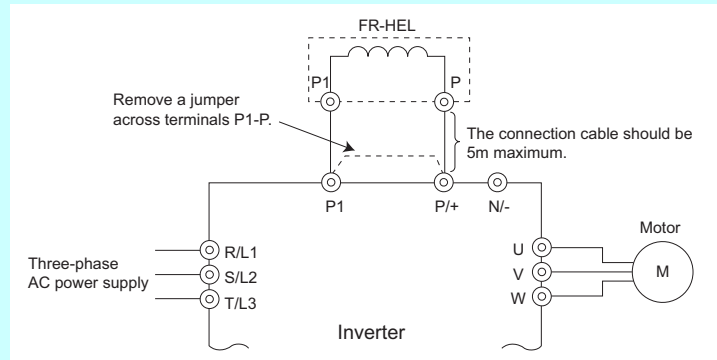
- *1 Refer to the type in the table of outline dimension drawing for details of capacity.
- *2 Power factor stated above is the value when considering the power supply impedance is 1%. The value changes according to the power supply capacity and power supply impedance. The load is considered as 100% when the fundamental current value specified in JEM-TR201 is 100%. The power factor improving effect is slightly lower when the motor below 0.4kW is used.
- *3 Improved power factor is about 93%. (It is 94.4% when calculated by applying 1 power factor to the reference waveform according to the Architectural Standard Specifications (Electrical Installation) (2013 revisions) supervised by the Ministry)

● Selection

- Make selection according to the applicable motor capacity. (When the inverter capacity is larger than the motor capacity, make selection according to the motor capacity.)
- For the 75K or higher inverters, or whenever a 75kW or higher motor is used, always connect a DC reactor.

● Connection diagram

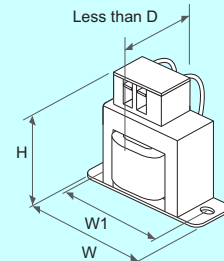
- Connect the reactor to terminal P1 and P of the inverter. Make sure to remove a jumper across terminal P1-P before connecting. (A failure to do so will produce no power factor improving effect.)
- The wiring length between the reactor and inverter should be 5m maximum and minimized.



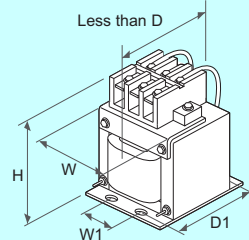
● Outline dimension drawings

- The appearance of a typical model. The shape differs according to each model.
- W1 and D1 indicate distances between installation holes. The installation hole size is indicated by d.
- Keep enough clearance around the reactor because it heats up. (Keep a clearance of minimum 10cm each on top and bottom and minimum 5 cm each on right and left regardless of the installation orientation.)

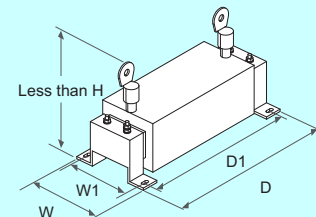
(Unit: mm)



FR-HEL-0.4K to 2.2K
FR-HEL-H0.4K



FR-HEL-3.7K to 55K
FR-HEL-H0.75K to H55K



FR-HEL-75K to 110K
FR-HEL-H75K to H355K

Model	W	W1	H	D	D1	d	Mass (kg)	Model	W	W1	H	D	D1	d	Mass (kg)
0.4K	70	60	71	61	—	M4	0.34	H0.4K	90	75	77	60	—	M5	0.6
0.75K	85	74	81	61	—	M4	0.5	H0.75K	66	50	100	70	48	M4	0.85
1.5K	85	74	81	70	—	M4	0.7	H1.5K	66	50	100	80	54	M4	1
2.2K	85	74	81	70	—	M4	0.8	H2.2K	76	50	110	80	54	M4	1.3
3.7K	77	55	92	82	56	M4	1.4	H3.7K	86	55	128	95	69	M4	2.3
5.5K	77	55	92	92	66	M4	1.7	H5.5K	96	60	136	100	75	M5	3
7.5K	86	60	122	98	73	M4	2.3	H7.5K	96	60	136	105	80	M5	3.5
11K	105	64	138	112	78	M6	3.1	H11K	105	75	137	110	85	M5	4.5
15K	105	64	142	115	83	M6	3.8	H15K	105	75	152	125	95	M5	5
18.5K	105	64	93	165	93	M6	4.1	H18.5K	114	75	162	120	80	M5	5
22K	105	64	93	175	103	M6	4.8	H22K	133	90	180	120	75	M5	6
30K	114	72	100	200	100	M6	6.7	H30K	133	90	180	120	80	M5	6.5
37K	133	86	117	195	97	M6	8.1	H37K	133	90	184	155	100	M5	8.5
45K	133	86	117	205	107	M6	9.4	H45K	133	90	184	170	110	M5	10
55K	153	126	132	209	121	M6	11.0	H55K	152	105	203	170	106	M6	11.5
75K	150	130	190	340	310	M6	17	H75K	140	120	185	320	295	M6	16
90K	150	130	200	340	310	M6	19	H90K	150	130	190	340	310	M6	20
110K	175	150	200	400	365	M8	20	H110K	150	130	195	340	310	M6	22
								H132K	175	150	200	405	370	M8	26
								H160K	175	150	205	405	370	M8	28
								H185K	175	150	240	405	370	M8	29
								H220K	175	150	240	405	370	M8	30
								H250K	190	165	250	440	400	M8	35
								H280K	190	165	255	440	400	M8	38
								H315K	210	185	250	495	450	M10	42
								H355K	210	185	250	495	450	M10	46

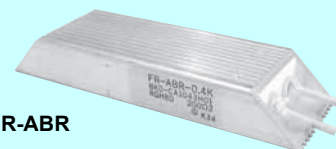
Braking option

Brake resistor High-duty brake resistor

MRS, MYS (E800) (E700) (F700PJ) (D700)
FR-ABR (A800) (A800 Plus) (E800) (E700) (F700PJ) (D700)

Only models with a built-in brake transistor can be used.

Larger value of the regenerative brake duty can be set by connecting this high-duty brake resistor to the inverter.



FR-ABR

Specifications

Model MRS Type, MYS Type	200 V				
	MRS120W200	MRS120W100	MRS120W60	MRS120W40	MYS220W50 *2
Applicable inverter capacity (kW)	0.4	0.75	1.5, 2.2	2.2, 3.7	3.7
Permissible duty *1	3%ED				6%ED
Resistance value (Ω)	200	100	60	40	50 (×1/2)

Model FR-ABR-□□	200 V								
	0.4K	0.75K	2.2K	3.7K	5.5K	7.5K	11K	15K *2	22K *2
Applicable inverter capacity (kW)	0.4	0.75	1.5, 2.2	3.7	5.5	7.5	11	15	18.5, 22
Braking torque	150% 5 s			100% 5 s					
Permissible duty *1	10%ED						6%ED		
Resistance value (Ω)	200	100	60	40	25	20	13	18 (×1/2)	13 (×1/2)
Approximate mass (kg)	0.2	0.4	0.5	0.8	1.3	2.2	3.5	2.4 (×2)	3.3 (×2)

Model FR-ABR-□□	400 V									
	H0.4K	H0.75K	H1.5K	H2.2K	H3.7K	H5.5K	H7.5K	H11K	H15K *3	H22K *2
Applicable inverter capacity (kW)	0.4	0.75	1.5	2.2	3.7	5.5	7.5	11	15	18.5, 22
Braking torque	100% 5 s									
Permissible duty *1	10%ED							6%ED		
Resistance value (Ω)	1200	700	350	250	150	110	75	52	18 (×2)	52 (×1/2)
Approximate mass (kg)	0.2	0.2	0.4	0.5	0.8	1.3	2.2	3.2	2.4 (×2)	3.3 (×2)

*1 The permissible duty indicates braking capability including the motor loss, and thereby the actual duty of the resistor is slightly smaller.

*2 Use two units in parallel.

*3 Use two units in series. FR-ABR-15K is indicated on the resistor (same resistor as the 200 V class 15K).

Selection

- Make selection according to the applicable motor capacity of the above specifications.
- The model with built-in brake resistor and external brake resistor.

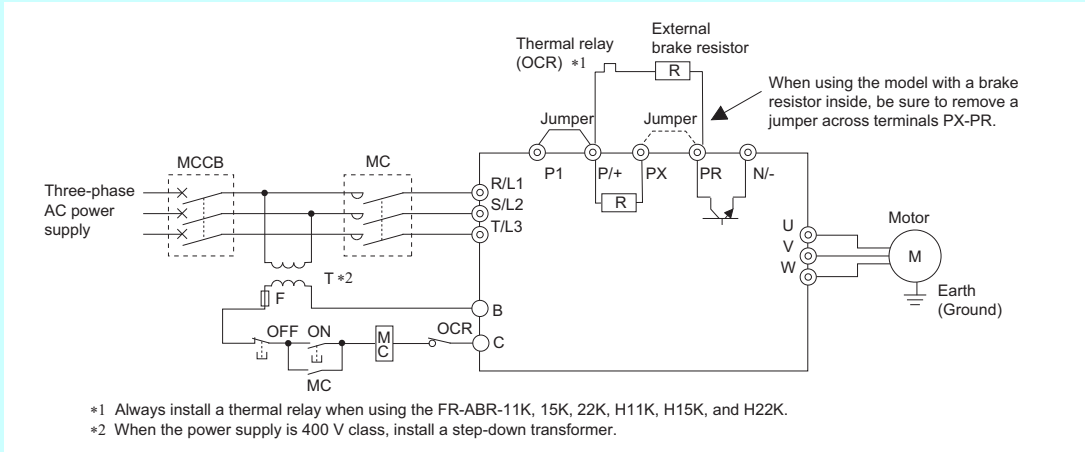
Inverter		Built-in Brake Resistor	External Brake Resistor (built-in brake transistor)
FR-A800, FR-A800 Plus	0.4K to 7.5K	○	○
	11K to 22K	×	○
FR-E800, FR-E700	0.1K, 0.2K	×	×
	0.4K or higher	×	○
FR-F700PJ	All capacities	×	○
FR-D700	0.1K, 0.2K	×	×
	0.4K or higher	×	○

○: Available ×: Not available

Braking option

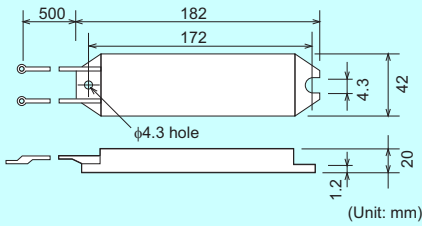
●Connection diagram

- Connect across terminals P and PR of the inverter.
- When using the model with a brake resistor inside, be sure to remove a jumper across terminals PX and PR. (Note that a jumper across terminals P1 and P should not be removed by mistake.)
- The temperature of the MRS type and MYS type brake resistor becomes 200 °C or more and the FR-ABR becomes 300 °C or more, care must be taken for installation and heat dissipation.
- The following sequence is recommended to prevent overheat and burnout of the brake resistor in case the brake transistor is damaged.

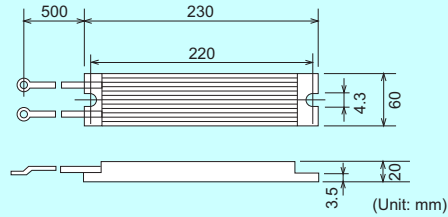


●Outline dimension drawings

<<MRS type>>



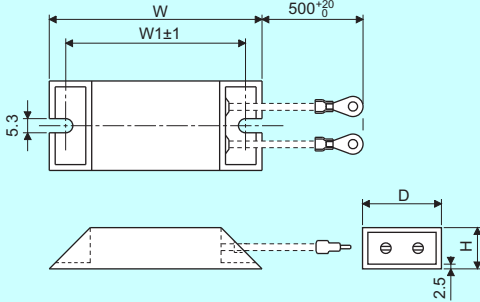
<<MYS type>> *



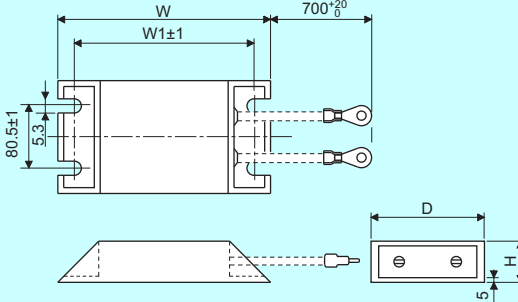
* Outline dimension drawing of one resistor.

<<FR-ABR>>

FR-ABR-0.4K to 7.5K, H0.4K to H7.5K



FR-ABR-11K to 22K, H11K to H22K



Brake Resistor Model		Outline Dimension				Brake Resistor Model		Outline Dimension			
		W	W1	H	D			W	W1	H	D
200 V	FR-ABR-0.4K	140	125	21	40	400 V	FR-ABR-H0.4K	115	100	21	40
	FR-ABR-0.75K	215	200	21	40		FR-ABR-H0.75K	140	125	21	40
	FR-ABR-2.2K	240	225	26	50		FR-ABR-H1.5K	215	200	21	40
	FR-ABR-3.7K	215	200	33	61		FR-ABR-H2.2K	240	225	26	50
	FR-ABR-5.5K	335	320	33	61		FR-ABR-H3.7K	215	200	33	61
	FR-ABR-7.5K	400	385	40	80		FR-ABR-H5.5K	335	320	33	61
	FR-ABR-11K	400	385	50	100		FR-ABR-H7.5K	400	385	40	80
	FR-ABR-15K*	300	285	50	100		FR-ABR-H11K	400	385	50	100
	FR-ABR-22K*	400	385	50	100		FR-ABR-H15K*	300	285	50	100
						FR-ABR-H22K*	450	435	50	100	

* Outline dimension drawing of one resistor.

Brake unit Discharging resistor or resistor unit

FR-BU2 (A800) (A800 Plus) (F800) (E800) (E700) (F700PJ) (D700)
 GRZG (A800) (A800 Plus) (F800) (E800) (E700) (F700PJ) (D700)
 FR-BR (A800) (A800 Plus) (F800) (E800) (E700) (F700PJ) (D700)
 MT-BR5 (A800) (A800 Plus) (F800)

Braking options have larger braking capability than the external brake resistor. These options can be connected to the inverter with or without a built-in brake transistor. Select from three discharging resistors according to the required braking torque.

● Specifications

<<Brake unit>>

Model FR-BU2-[]	200V						400V							
	1.5K	3.7K	7.5K	15K	30K	55K	H7.5K	H15K	H30K	H55K	H75K	H220K	H280K	
Applicable motor capacity	Capacity of the motor to be used with differs according to the braking torque and duty (%ED)													
Connected brake resistor	GRZG type, FR-BR, MT-BR5 (Refer to the table below for combination.)											MT-BR5 *1		
Multiple (parallel) operation	Up to 10 units (Note that torque generated is not more than the tolerable overcurrent amount of connected inverter.)													
Approximate mass (kg)	0.9	0.9	0.9	0.9	1.4	2.0	0.9	0.9	1.4	2.0	2.0	13	13	



FR-BU2

*1 Please contact your sales representative to use a brake resistor other than MT-BR5.

<<Discharging Resistor>>

Model GRZG type *2	200 V				400 V		
	GZG300W-50Ω (1 unit)	GRZG200-10Ω (3 units)	GRZG300-5Ω (3 units)	GRZG400-2Ω (6 units)	GRZG200-10Ω (3 units)	GRZG300-5Ω (4 units)	GRZG400-2Ω (6 units)
Number of resistors	1	3 in series (1 set)	4 in series (1 set)	6 in series (1 set)	6 in series (2 sets)	8 in series (2 sets)	12 in series (2 sets)
Resistance value (Ω)	50	30	20	12	60	40	24
Continuous permissible power (W)	100	300	600	1200	600	1200	2400

<<Resistor unit>>

Model FR-BR-[]	200 V			400 V			Model MT-BR5-[]	200 V	400 V
	15K	30K	55K	H15K	H30K	H55K		55K	H75K
Resistance value (Ω)	8	4	2	32	16	8		2	6.5
Continuous permissible power (W)	990	1990	3910	990	1990	3910		5500	7500
Approximate mass (kg)	15	30	70	15	30	70		70	65

*2 The 1 set contains the number of units in the parentheses. For the 400V class, 2 sets are required.

● Table of combination of the brake unit and resistor unit

Brake Unit Model		Discharging Resistor or Resistor Unit Model			
		GRZG type		FR-BR	MT-BR5
		Model *1	Number of connectable units		
200 V class	FR-BU2-1.5K	GZG 300W-50 Ω (1 unit)	1 unit	—	—
	FR-BU2-3.7K	GRZG 200-10 Ω (3 units)	3 in series (1 set)	—	—
	FR-BU2-7.5K	GRZG 300-5 Ω (4 units)	4 in series (1 set)	—	—
	FR-BU2-15K	GRZG 400-2 Ω (6 units)	6 in series (1 set)	FR-BR-15K	—
	FR-BU2-30K	—	—	FR-BR-30K	—
400 V class	FR-BU2-55K	—	—	FR-BR-55K	MT-BR5-55K
	FR-BU2-H7.5K	GRZG 200-10 Ω (3 units)	6 in series (2 sets)	—	—
	FR-BU2-H15K	GRZG 300-5 Ω (4 units)	8 in series (2 sets)	FR-BR-H15K	—
	FR-BU2-H30K	GRZG 400-2 Ω (6 units)	12 in series (2 sets)	FR-BR-H30K	—
	FR-BU2-H55K	—	—	FR-BR-H55K	—
	FR-BU2-H75K	—	—	—	MT-BR5-H75K
	FR-BU2-H220K	—	—	—	3×MT-BR5-H75K *2
FR-BU2-H280K	—	—	—	4×MT-BR5-H75K *2	

*1 The 1 set contains the number of units in the parentheses. For the 400V class, 2 sets are required.

*2 The number before the model name explains the number of connectable units in parallel.

● Selection

<<When GRZG type is connected>>

Power Supply Voltage	Motor(kW) Braking Torque	0.4	0.75	1.5	2.2	3.7	5.5	7.5	11	15	18.5	22	30	37	45	55
		200 V class	50% 30s	FR-BU2-1.5K		FR-BU2-3.7K	FR-BU2-7.5K	FR-BU2-15K	2×FR-BU2-15K *1		3×FR-BU2-15K *1			4×FR-BU2-15K *1		
100% 30s	FR-BU2-1.5K		FR-BU2-3.7K	FR-BU2-7.5K	FR-BU2-15K	2×FR-BU2-15K *1	3×FR-BU2-15K *1	4×FR-BU2-15K *1	5×FR-BU2-15K *1	6×FR-BU2-15K *1	7×FR-BU2-15K *1					
400 V class	50% 30s	— *2		FR-BU2-H7.5K			FR-BU2-H15K	FR-BU2-H30K			2×FR-BU2-H30K *1					
	100% 30s	— *2		FR-BU2-H7.5K	FR-BU2-H15K	FR-BU2-H30K	2×FR-BU2-H30K *1		3×FR-BU2-H30K *1			4×FR-BU2-H30K *1				

*1 The number before the model name explains the number of connectable units in parallel.

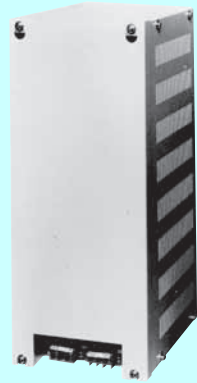
*2 The inverter of 1.5K or lower in the 400V class cannot be used in combination with a brake unit. To use in combination with a brake unit, use the inverter of 2.2K or higher.

Braking option

<<When the FR-BR is connected>>

%ED at short-time rating when braking torque is 100%

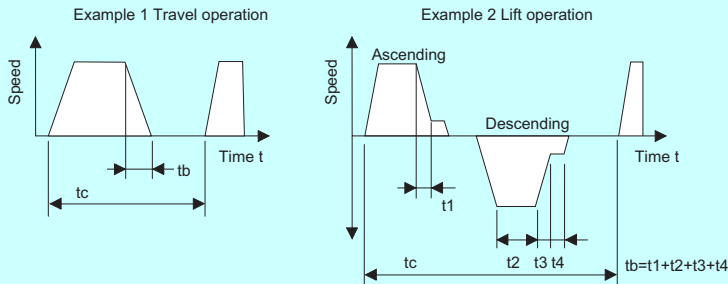
Motor Capacity		5.5kW	7.5kW	11kW	15kW	18.5kW	22kW	30kW	37kW	45kW	55kW
200 V	FR-BU2-15K	80	40	15	30	—	—	—	—	—	—
	FR-BU2-30K	—	—	65	30	25	15	10	—	—	—
	FR-BU2-55K	—	—	—	—	90	60	30	20	15	10
400 V	FR-BU2-H15K	80	40	15	10	—	—	—	—	—	—
	FR-BU2-H30K	—	—	65	30	25	15	10	—	—	—
	FR-BU2-H55K	—	—	—	—	90	60	30	20	15	10



Braking torque (%) at 10%ED in 15s

Motor Capacity		5.5kW	7.5kW	11kW	15kW	18.5kW	22kW	30kW	37kW	45kW	55kW
200 V	FR-BU2-15K	280	200	120	100	80	70	—	—	—	—
	FR-BU2-30K	—	—	260	180	160	130	100	80	70	—
	FR-BU2-55K	—	—	—	—	300	250	180	150	120	100
400 V	FR-BU2-H15K	280	200	120	100	80	70	—	—	—	—
	FR-BU2-H30K	—	—	260	180	160	130	100	80	70	—
	FR-BU2-H55K	—	—	—	—	300	250	180	150	120	100

$$\text{Regeneration load time factor (operating duty) \%ED} = \frac{t_b}{t_c} \times 100 \quad t_b < 15 \text{ s (continuous operating time)}$$



<<When the MT-BR5 is connected>>

%ED at short-time rating when braking torque is 100%

Motor Capacity		75kW	90kW	110kW	132kW	160kW	185kW	220kW	250kW	280kW	315kW	355kW	375kW	400kW	450kW	500kW	560kW
200V class FR-BU2-55K	1	5	—	—	—	—	—	—	—	—	—	—	—	—	—	—	—
	2	20	15	10	—	—	—	—	—	—	—	—	—	—	—	—	—
400V class FR-BU2-H75K	1	10	5	—	—	—	—	—	—	—	—	—	—	—	—	—	—
	2	40	25	20	10	5	5	—	—	—	—	—	—	—	—	—	—
400V class FR-BU2-H220K	1	80	60	40	25	15	10	10	5	—	—	—	—	—	—	—	—
	2	—	—	—	—	—	—	20	20	15	15	15	10	10	10	5	—
400V class FR-BU2-H280K	1	—	80	65	40	30	20	15	10	10	5	—	—	—	—	—	—
	2	—	—	—	—	—	—	—	—	—	20	20	15	15	15	10	10

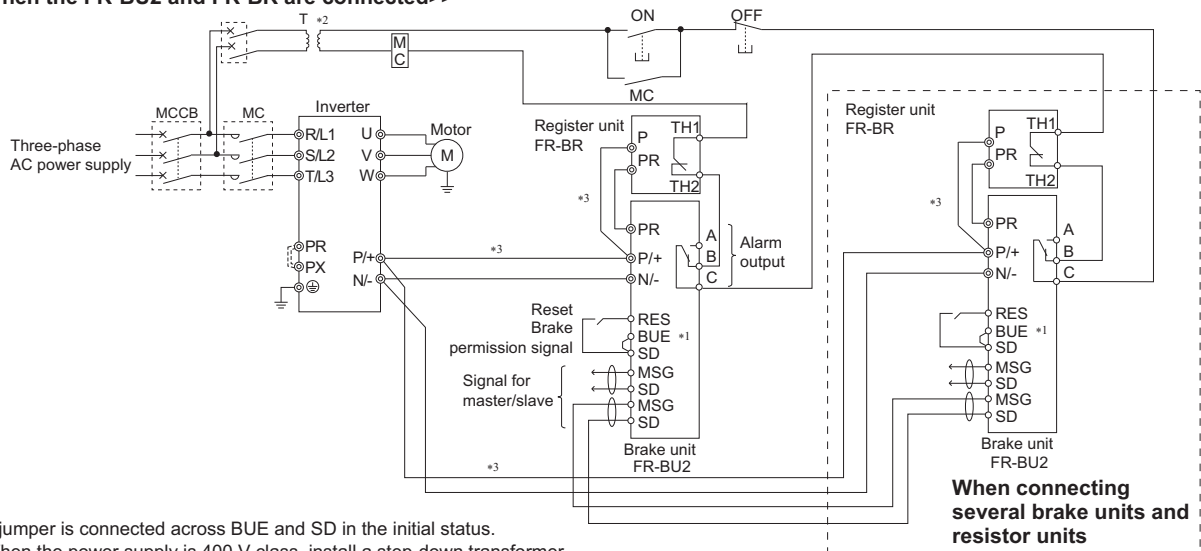
Braking torque (%) at short-time rating in 15s

Motor Capacity		75kW	90kW	110kW	132kW	160kW	185kW	220kW	250kW	280kW	315kW	355kW	375kW	400kW	450kW	500kW	560kW
200V class FR-BU2-55K	1	70	60	50	—	—	—	—	—	—	—	—	—	—	—	—	—
	2	150	120	100	—	—	—	—	—	—	—	—	—	—	—	—	—
400V class FR-BU2-H75K	1	100	80	70	55	45	40	35	30	25	20	20	20	—	—	—	—
	2	150	150	135	110	90	80	70	60	50	45	40	40	—	—	—	—
400V class FR-BU2-H220K	1	200	200	150	150	135	115	100	80	55	—	—	—	—	—	—	—
	2	—	—	—	—	—	—	190	170	150	150	140	120	110	100	90	80
400V class FR-BU2-H280K	1	—	—	200	200	150	150	150	125	100	70	60	—	—	—	—	—
	2	—	—	—	—	—	—	—	—	—	180	160	150	150	130	115	100

- *1 The number explains the number of connectable units in parallel.
- *2 To obtain a large braking torque, the motor has to have a torque characteristic that meets the braking torque. Check the torque characteristic of the motor.

● Connection diagram (Sink logic)

<<When the FR-BU2 and FR-BR are connected>>

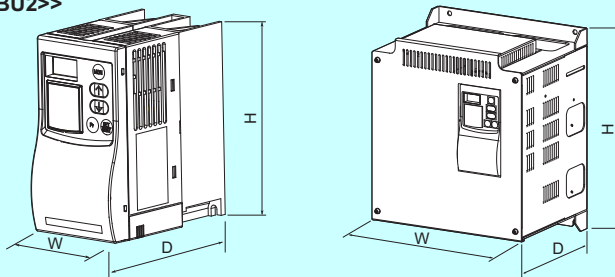


- *1 A jumper is connected across BUE and SD in the initial status.
 - *2 When the power supply is 400 V class, install a step-down transformer.
 - *3 The wiring distance between the inverter, brake unit (FR-BU2) and resistor unit (FR-BR) should be within 5 m. If twisted wires are used, the distance should be within 10 m.
- When connecting several FR-BU2 to one inverter, connect P/+ of each FR-BU2 and of the inverter and N/- respectively. Do not pass wires from terminal P/+ and N/- of the FR-BU2 to terminals of other FR-BU2.

When connecting several brake units and resistor units

● Outline dimension drawings

<<FR-BU2>>



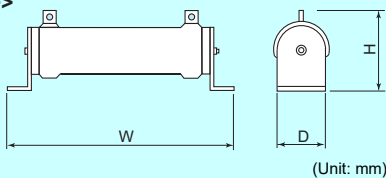
FR-BU2-1.5K to 55K
FR-BU2-H7.5K to H75K

FR-BU2-H220K, H280K

(Unit: mm)

Model	W	H	D
FR-BU2-1.5K to 15K	68	128	132.5
FR-BU2-30K	108	128	129.5
FR-BU2-55K	170	128	142.5
FR-BU2-H7.5K, H15K	68	128	132.5
FR-BU2-H30K	108	128	129.5
FR-BU2-H55K, H75K	170	128	142.5
FR-BU2-H220K, H280K	250	300	200

<<GRZG type>>

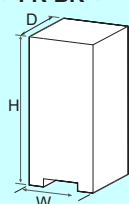


(Unit: mm)

Model	W	H	D
GZG300W	335	78	40
GRZG200	306	55	26
GRZG300	334	79	40
GRZG400	411	79	40

- The maximum temperature rise of the discharging resistors is approximately 100 °C. Use heat-resistant wires to perform wiring and make sure that they will not make contact with resistors.
- Do not touch the discharging resistor while the power is ON or for about 10 minutes after the power supply turns OFF. Otherwise, electric shock may result.

<<FR-BR>>

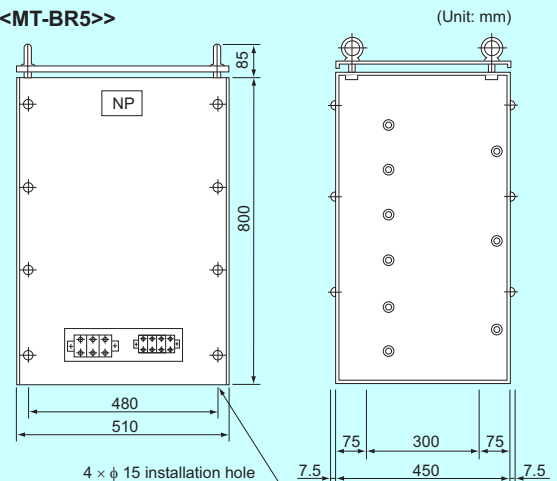


(Unit: mm)

Resistor Unit			
Model	W	H	D
FR-BR-15K	170	450	220
FR-BR-30K	340	600	220
FR-BR-55K	480	700	450
FR-BR-H15K	170	450	220
FR-BR-H30K	340	600	220
FR-BR-H55K	480	700	450

- The temperature rise of the resistor unit is about a maximum of 100 °C. Therefore, use heat-resistant wires (such as glass wires).

<<MT-BR5>>



- Be sure to select the well-ventilated place for installation of the resistor unit. Ventilation is necessary when installing the resistor in a place, e.g. enclosure, where heat is not well diffused.
- The temperature rise of the resistor unit is about a maximum of 150 °C. Therefore, wire the cable so as not to touch the resistor. Also, separate a component, which is low in heat-resistant property, at least 40 to 50 cm from the resistors.
- The temperature of the resistor unit abnormally increases if the brake unit is operated exceeding the specified duty. Since the resistor unit may result in overheat if the temperature of the brake unit is left unchanged, switch off the inverter.

Braking option

Power regeneration converter

MT-RC A800 A800 Plus F800

A power regeneration converter allows energy generated at braking operation of the inverter to be regenerated to the power supply. Using a brake unit negates the need for a discharge resistor, saving space and energy as well as raising the peak brake torque.

●Specifications

Model MT-RC-[]	400V			
	H75K	H160K	H220K	H280K
Rated current (A) *1	102	218	300	382
Rated input AC power supply	Three-phase 380 to 460 V 50/60 Hz			
Permissible AC voltage fluctuation	Three-phase 323 to 506 V 50/60 Hz			
Approximate mass (kg)	65	98	155	235
AC reactor type MT-RCL-[] (standard accessory)	H75K	H160K	H220K	H280K
Approximate mass (kg)	130	240	410	580

*1 The rated current indicates the current flow in the main circuit DC bus (terminal P/+, N/-).

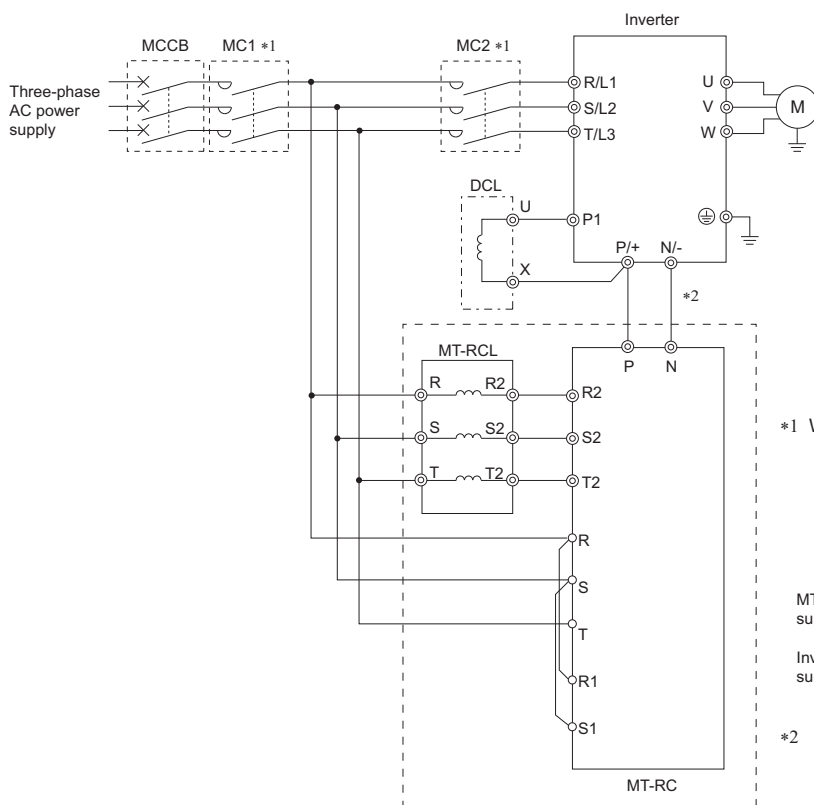
●Selection

- 1) Select the unit according to the motor capacity and magnitude of the braking torque referring to the table below.
- 2) Do not use the MT-RC whose capacity is larger than the stated combination in the table below.
(Even if the MT-RC larger in capacity is selected, continuous braking torque will not exceed 100% of the rated motor.)

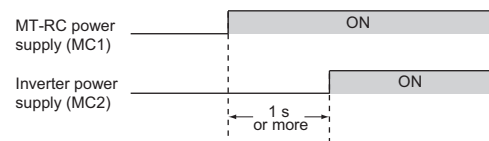
Braking torque (%) at continuous rating (% value on the assumption that the rated motor torque is 100%.)

Motor Capacity (kW)	75	90	110	132	150	160	185	200	220	250	280
Inverter model	75K	110K	110K	160K	160K	160K	220K	220K	220K	280K	280K
MT-RC-H75K	100	80	65	55	50	45	40	35	30	30	25
MT-RC-H160K	—	100	100	100	100	100	85	80	70	60	55
MT-RC-H220K	—	—	—	—	—	—	100	100	100	85	75
MT-RC-H280K	—	—	—	—	—	—	—	—	—	100	100

●Connection diagram



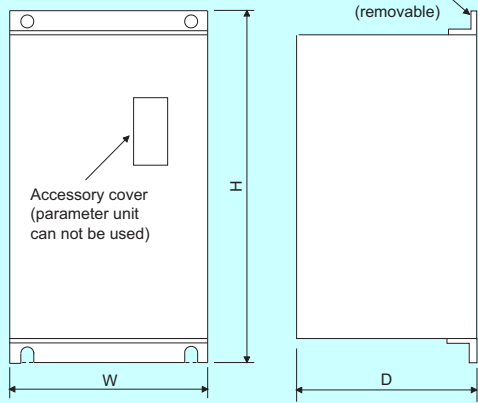
*1 When connecting a power regeneration converter (MT-RC), install a magnetic contactor (MC) at the input side of the inverter so that power is supplied to the inverter after 1s or more has elapsed after powering ON the MT-RC. When power is supplied to the inverter prior to the MT-RC, the inverter and the MT-RC may be damaged or the MCCB may trip or be damaged.



*2 Keep the total wiring distance between the inverter and the power regenerative converter (MT-RC) within 5 m.

●Outline dimension drawings

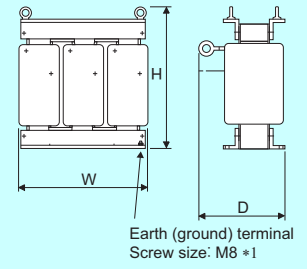
<<MT-RC>>



(Unit: mm)

	Model	W	H	D
400V	MT-RC-H75K	480	740	360
	MT-RC-H160K	498	1010	380
	MT-RC-H220K	680	1010	380
	MT-RC-H280K	790	1330	440

<<MT-RCL>>



(Unit: mm)

	Model	W	H	D
400V	MT-RCL-H75K	390	385	358
	MT-RCL-H160K	515	465	380
	MT-RCL-H220K	630	655	565
	MT-RCL-H280K	690	690	620

*1 The terminal position differs according to the reactor capacity.

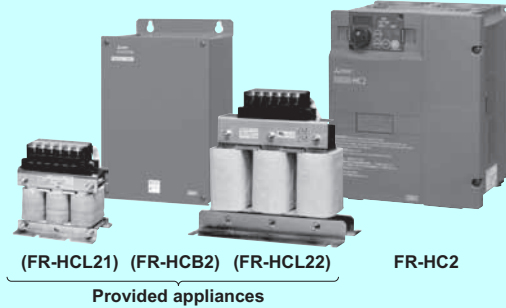
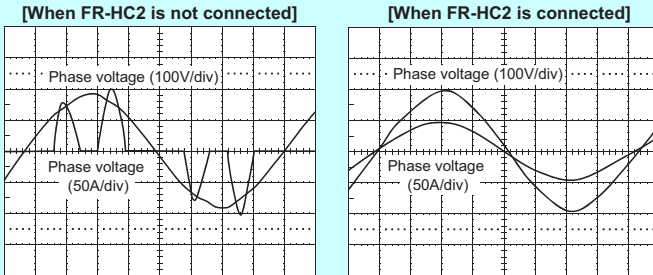
High power factor converter

FR-HC2 ALL

A high power factor converter substantially suppresses power harmonics to realize the equivalent capacity conversion coefficient $K_5 = 0$ in "the Harmonic Suppression Guidelines for Consumers Who Receive High Voltage or Special High Voltage" in Japan. Power regeneration function featured as standard enables common converter system operation with multiple inverters connected.

●Suppressions of power-supply harmonics

(Example) FR-HC2-7.5K
(Environment) Load; 100% Power factor; 1



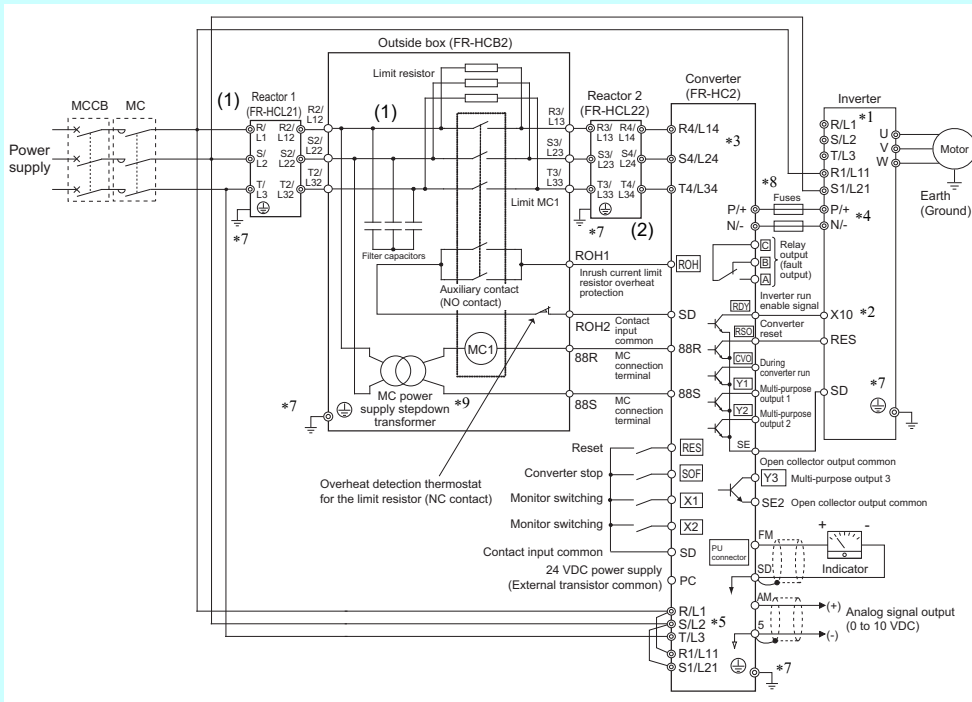
●Specifications

Model FR-HC2-[] *2	200 V					400 V															
	7.5K	15K	30K	55K	75K	H7.5K	H15K	H30K	H55K	H75K	H110K	H160K	H220K	H280K	H400K	H560K					
Applicable inverter capacity (kW) *1	3.7 to 7.5	7.5 to 15	15 to 30	30 to 55	37 to 75	3.7 to 7.5	7.5 to 15	15 to 30	30 to 55	37 to 75	55 to 110	90 to 160	110 to 220	160 to 280	200 to 400	280 to 560					
Rated input current (A)	33	61	115	215	278	17	31	57	110	139	203	290	397	506	716	993					
Input power factor	0.99 or more (when load factor is 100%)																				
Rated voltage	Three-phase 200 to 220 V 50 Hz/ three phase 200 to 230 V 60 Hz					Three-phase 380 to 460V 50 Hz/60 Hz															
Permissible power supply voltage fluctuation	Three-phase 170 to 242 V 50 Hz/ three phase 170 to 253 V 60 Hz					Three-phase 170 to 230 V 50 Hz/60 Hz					Three-phase 323 to 506 V 50 Hz/60 Hz						Three-phase 323 to 460 V 50 Hz/60 Hz				
Approximate mass (kg)	7	12	24	39	53	9	9	26	43	37	56	120	120	160	250	250					
Unit	Provided appliances																				
Provided appliances	21.0	33.0	57.7	95.4	148.0	21.8	33.0	53.0	99.0	156.0	240.0	349.0	462.0	—	—	—					

- *1 Up to ten inverters may be connected to one high power factor converter. The capacity of the high power factor converter should always be higher than the sum of those of the inverters connected. Note that if the sum of the inverter capacities is less than half of the high power factor converter capacity, the high power factor converter may be used as a common converter or regenerative converter, but its capability to suppress power harmonics will decrease.
- *2 When the FR-HC2-[] is ordered in Japan, the FR-HCL21, FR-HCL22, and FR-HCB2 (FR-HCL21, FR-HCL22, FR-HCC2, FR-HCR2, and FR-HCM2 for the H280K or higher) are provided as accompanying appliances. When the FR-HC2 is ordered in other countries, those appliances are not provided with the converter and to be ordered as required.

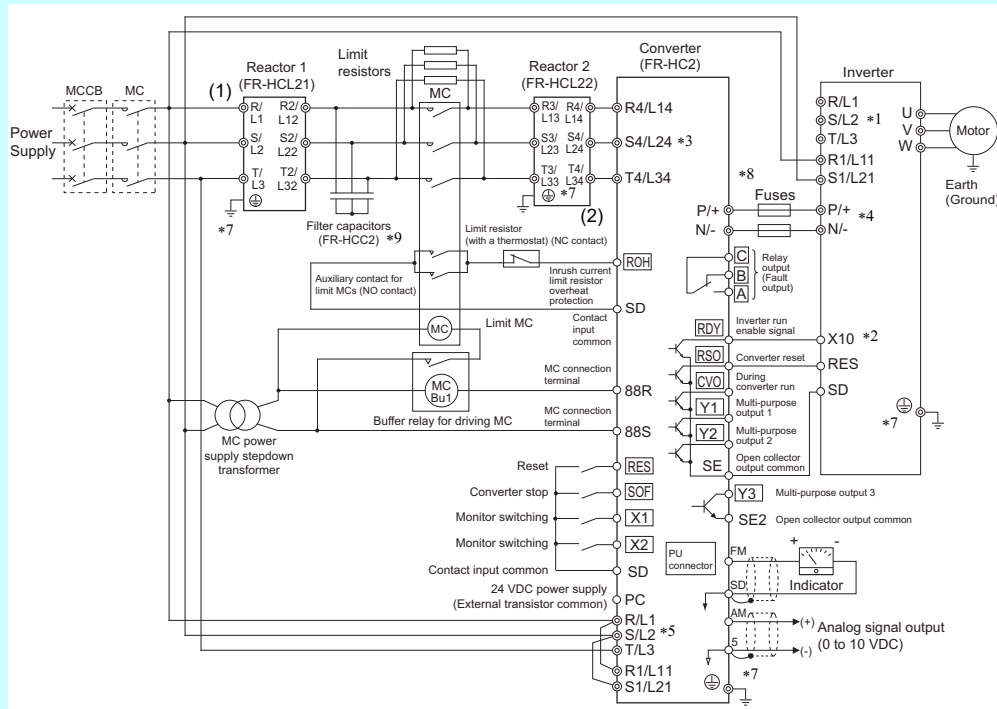
●Connection diagram

<<FR-HC2-7.5K to 75K, FR-HC2-H7.5K to H220K>>

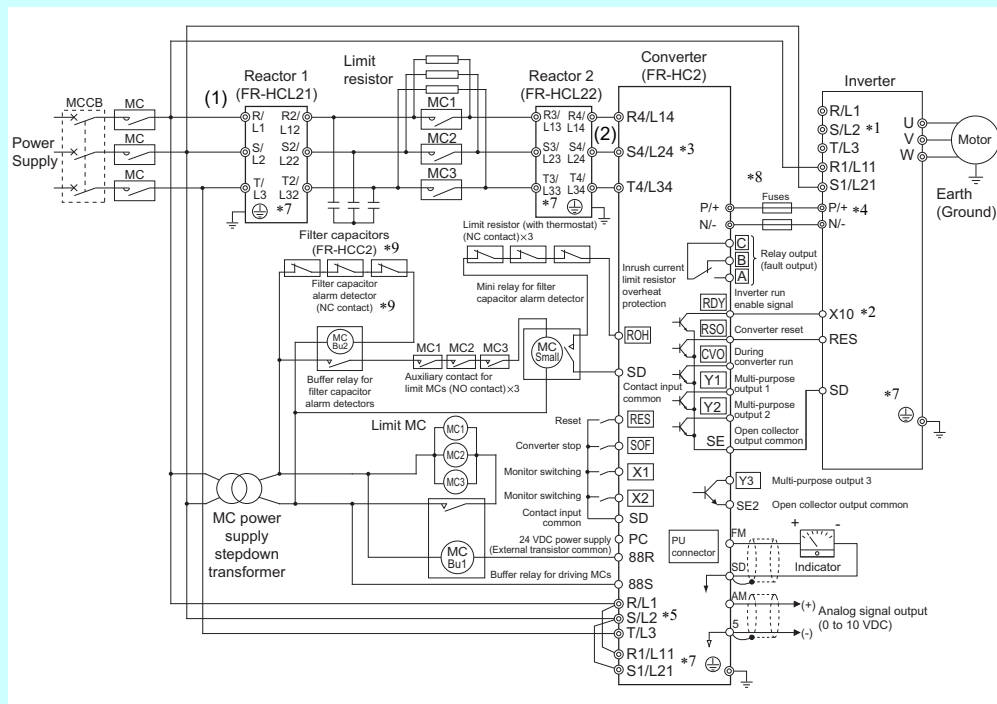


- *1 Do not connect anything to the inverter power input terminals R/L1, S/L2 and T/L3. Incorrect connection will damage the inverter. Connecting opposite polarity of terminals P/+ and N/- will damage the converter and the inverter.
- *2 Use input terminal function selection to assign the terminal used for the X10 signal.
- *3 The power phases of terminals R4/L14, S4/L24, and T4/L34 and terminals R/L1, S/L2, and T/L3 must be matched.
- *4 Do not insert MCCB between terminals P/+ and N/- (P and P, N and N).
- *5 Always connect terminal R/L1, S/L2, T/L3 of the converter to the power supply. If the inverter is operated without connecting the terminals to the power supply, the converter will be damaged.
- *6 Do not insert MCCB or MC between (1) (terminal R/L1, S/L2, and T/L3 input of the Reactor 1) and (2) (terminal R4/L14, S4/L24, and T4/L34 input of the converter) of the above diagram. It will not operate properly.
- *7 Securely perform grounding (earthing).
- *8 Installation of a fuse is recommended.
- *9 The MC power supply stepdown transformer is only equipped in the 400 V class models.

<<FR-HC2-H280K>>



<<FR-HC2-H400K, H560K>>



- *1 Do not connect anything to the inverter power input terminals R/L1, S/L2 and T/L3. Incorrect connection will damage the inverter. Connecting opposite polarity of terminals P/+ and N/- will damage the converter and the inverter.
- *2 Use input terminal function selection to assign the terminal used for the X10 signal.
- *3 The power phases of terminals R4/L14, S4/L24, and T4/L34 and terminals R/L1, S/L2, and T/L3 must be matched.
- *4 Do not insert MCCB between terminals P/+ and N/- (P and N, N and N).
- *5 Always connect terminal R/L1, S/L2, T/L3 of the converter to the power supply. If the inverter is operated without connecting the terminals to the power supply, the converter will be damaged.
- *6 Do not insert MCCB or MC between (1) (terminal R/L1, S/L2, and T/L3 input of the Reactor 1) and (2) (terminal R4/L14, S4/L24, and T4/L34 input of the converter) of the above diagram. It will not operate properly.
- *7 Securely perform grounding (earthing).
- *8 Installation of a fuse is recommended. (Not required for the FR-A802 or FR-F802 inverters.)
- *9 The quantity of the filter capacitor and the filter capacitor alarm detector depends on the inverter capacity.

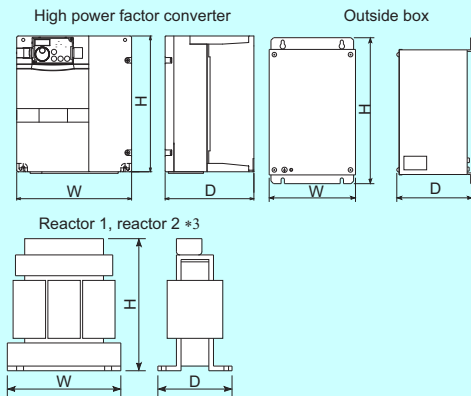
Device	Quantity		
	280K	400K	560K
Filter capacitors	1	2	3
Filter capacitor alarm detector	—	2	3

Braking option

●Outline dimension drawings

(Unit: mm)

Voltage	Capacity	High Power Factor Converter FR-HC2			Reactor 1 FR-HCL21			Reactor 2 FR-HCL22			Outside Box FR-HCB2		
		W	H	D	W *1	H *1	D *1	W *1	H *1	D *1	W	H	D
200V	7.5K	220	260	170	132	150	100	237.5	230	140	190	320	165
	15K	250	400	190	162	172	126	257.5	260	165			
	30K	325	550	195	195	210	150	342.5	305	180	270	450	203
	55K	370	620	250	210	180	200.5	432.5	380	280			
	75K	465	620	300	240	215	215.5	474	460	280	400	450	250
400V	H7.5K	220	300	190	132	140	100	237.5	220	140			
	H15K	220	300	190	162	170	126	257.5	260	165	190	320	165
	H30K	325	550	195	182	195	101	342.5	300	180			
	H55K	370	670	250	282.5	245	165	392.5	365	200	270	450	203
	H75K	325	620	250	210	175	210.5	430	395	280	300	350	250
	H110K	465	620	300	240	230	220	500	440	370	350	450	380
	H160K	498	1010	380	280	295	274.5	560	520	430	400	450	440
	H220K	498	1010	380	330	335	289.5	620	620	480			
	H280K*2	680	1010	380	330	335	321	690	700	560	—	—	—
	H400K*2	790	1330	440	402	460	550	632	675	705	—	—	—
	H560K*2	790	1330	440	452	545	645	632	720	745	—	—	—



- *1 The sizes indicated by W, H, and D are not the sizes of legs. These indicate sizes of whole reactors only.
- *2 FR-HCB2 is not provided for H280K or higher. A filter capacitor and inrush current limit resistors are provided instead.
- *3 Install reactors (FR-HCL21 and 22) on a horizontal surface.

●Fuse

For safety, installation of a fuse is recommended between a high power factor converter and an inverter. Select a fuse according to the capacity of the connected motor.
Select a fuse from the table below, and install it to the P side and the N side between the high power factor converter and the inverter.

<<Fuse selection table>>

Manufacturer: Mersen Japan K.K.
Contact: Sun-Wa Technos Corporation

- *1 Use the CUS102 (without fuse light melting indicator) or CUS102I (with fuse light melting indicator) fuse holders (2-pole type).
- *2 When installing several fuses in parallel, leave 12mm or more between the fuses.

<<200 V class>>

Motor capacity (kW)	Rating (A)	Model
0.1	5	6.900 CP GR 10.38 0005 (FR10GR69V5) *1
0.2	10	6.900 CP GR 10.38 0010 (FR10GR69V10) *1
0.4	16	6.900 CP GR 10.38 0016 (FR10GR69V16) *1
0.75	20	6.900 CP GR 10.38 0020 (FR10GR69V20) *1
1.5	25	6.900 CP GR 10.38 0025 (FR10GR69V25) *1
2.2	50	6.9 URD 30 TTF 0050
3.7	63	6.9 URD 30 TTF 0063
5.5	100	6.9 URD 30 TTF 0100
7.5	125	6.9 URD 30 TTF 0125
11	160	6.9 URD 30 TTF 0160
15	200	6.9 URD 30 TTF 0200
18.5	250	6.9 URD 30 TTF 0250
22	315	6.9 URD 30 TTF 0315
30	400	6.9 URD 30 TTF 0400
37	500	6.9 URD 30 TTF 0500
45	630	6.9 URD 31 TTF 0630
55	700	6.9 URD 31 TTF 0700
75	800	6.9 URD 31 TTF 0800

<<400 V class>>

Motor capacity (kW)	Rating (A)	Model
0.4	12.5	6.900 CP GR 10.38 0012.5 (FR10GR69V12.5) *1
0.75	16	6.900 CP GR 10.38 0016 (FR10GR69V16) *1
1.5	16	6.900 CP GR 10.38 0016 (FR10GR69V16) *1
2.2	20	6.900 CP GR 10.38 0020 (FR10GR69V20) *1
3.7	30	6.900 CP GR 10.38 0030 (FR10GR69V30) *1
5.5	50	6.9 URD 30 TTF 0050
7.5	50	6.9 URD 30 TTF 0050
11	80	6.9 URD 30 TTF 0080
15	125	6.9 URD 30 TTF 0125
18.5	125	6.9 URD 30 TTF 0125
22	160	6.9 URD 30 TTF 0160
30	200	6.9 URD 30 TTF 0200
37	250	6.9 URD 30 TTF 0250
45	315	6.9 URD 30 TTF 0315
55	350	6.9 URD 30 TTF 0350
75	450	6.9 URD 30 TTF 0450
90	500	6.9 URD 30 TTF 0500
110	550	6.9 URD 31 TTF 0550

Motor capacity (kW)	Rating (A)	Model
132	630	6.9 URD 31 TTF 0630
160	800	6.9 URD 31 TTF 0800
185	900	6.9 URD 32 TTF 0900
220	1000	6.9 URD 32 TTF 1000 or 6.9 URD 31 TTF 0630 × 2 in parallel *2
250	1250	6.9 URD 33 TTF 1250 or 6.9 URD 31 TTF 0700 × 2 in parallel *2
280	1400	6.9 URD 33 TTF 1400 or 6.9 URD 31 TTF 0800 × 2 in parallel *2
315	1600	6.9 URD 232 TTF 1600 or 6.9 URD 31 TTF 0800 × 2 in parallel *2
355	1800	6.9 URD 232 TTF 1800 or 6.9 URD 32 TTF 0900 × 2 in parallel *2
400	1800	6.9 URD 232 TTF 1800 or 6.9 URD 32 TTF 0900 × 2 in parallel *2
450	2500	6.9 URD 33 TTF 1250 × 2 in parallel *2
500	2700	6.9 URD 32 TTF 0900 × 3 in parallel *2
560	2700	6.9 URD 32 TTF 0900 × 3 in parallel *2

Multifunction regeneration converter
Dedicated stand-alone reactor
Dedicated box-type reactor

FR-XC **ALL**
 FR-XCL, FR-XCG **ALL**
 FR-XCB **ALL**

One inverter can handle harmonic suppression and power regeneration.

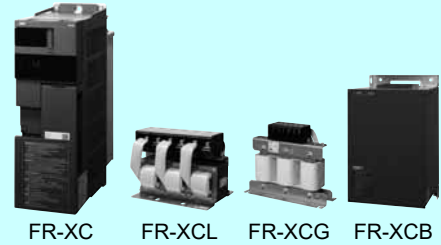
Functions that match the application can be selected by combining the inverter/converter with the dedicated reactor FR-XCB (box-type) or FR-XCL/FR-XCG.

Compact design offering a solution to harmonic problems

The FR-XC series converter in use with the dedicated box-type reactor FR-XCB is classified as a self-excitation three-phase bridge circuit under the "Harmonic Suppression Guidelines for Specific Consumers" and achieves K5 = 0 (conversion factor for equivalent capacity).

Up to 10 inverters connectable in common bus regeneration mode or in harmonic suppression mode

Up to 10 inverters can be connected to a common converter. The power returned from an inverter during regenerative drive can be supplied to another inverter, which in turn saves energy.



Selectable regenerative power in power regeneration mode 2

In power driving mode, the inverter supplies power. During regenerative driving, the FR-XC converter returns power to the power supply. The capacity of the FR-XC converter is selectable according to the desired regenerative power. Thus, the compact converter is applicable when the regenerative power is smaller than the inverter capacity, which allows cost reduction.

●Combination

<<Combination in common bus regeneration mode>>

• 200 V class

Multifunction regeneration converter		Dedicated stand-alone reactor
Model	Rated surrounding temperature	FR-XCL-[]K
FR-XC-7.5K	50°C/40°C rating	7.5
FR-XC-11K		11
FR-XC-15K		15
FR-XC-18.5K-PWM		22
FR-XC-22K		
FR-XC-22K-PWM		30
FR-XC-30K		
FR-XC-37K		37
FR-XC-37K-PWM		
FR-XC-55K		55
FR-XC-55K-PWM		

• 400 V class

Multifunction regeneration converter		Dedicated stand-alone reactor
Model	Rated surrounding temperature	FR-XCL-H[]K
FR-XC-H7.5K	50°C/40°C rating	7.5
FR-XC-H11K		11
FR-XC-H15K		15
FR-XC-H18.5K-PWM		22
FR-XC-H22K		
FR-XC-H22K-PWM		30
FR-XC-H30K		
FR-XC-H37K		37
FR-XC-H37K-PWM		
FR-XC-H55K		55
FR-XC-H55K-PWM		
FR-XC-H75K	50°C rating	75
FR-XC-H75K-PWM	40°C rating	90
FR-XC-H160K	50°C rating	160
FR-XC-H160K-PWM	40°C rating	185
FR-XC-H220K	50°C rating	220
FR-XC-H220K-PWM	40°C rating	250

Multifunction regeneration converter		Dedicated stand-alone reactor
Model	Rated surrounding temperature	FR-MCB-H[]
FR-XC-H75K	50°C rating	150
FR-XC-H75K-PWM	40°C rating	
FR-XC-H160K	50°C rating	400
FR-XC-H160K-PWM	40°C rating	
FR-XC-H220K	50°C rating	400
FR-XC-H220K-PWM	40°C rating	800

<<Combination in harmonic suppression mode>>

• 200 V class

Multifunction regeneration converter		Dedicated stand-alone reactor
Model	Rated surrounding temperature	FR-XCB-[]K
FR-XC-18.5K-PWM	50°C/40°C rating	18.5
FR-XC-22K		
FR-XC-22K-PWM		22
FR-XC-30K		
FR-XC-37K		37
FR-XC-37K-PWM		
FR-XC-55K		55
FR-XC-55K-PWM		

• 400 V class

Multifunction regeneration converter		Dedicated stand-alone reactor	
Model	Rated surrounding temperature	FR-XCB-H[]K	
FR-XC-H18.5K-PWM	50°C/40°C rating	18.5	
FR-XC-H22K			
FR-XC-H22K-PWM		22	
FR-XC-H30K			
FR-XC-H37K		37	
FR-XC-H37K-PWM			
FR-XC-H55K		55	
FR-XC-H55K-PWM			
FR-XC-H75K		50°C rating	75
FR-XC-H75K-PWM		40°C rating	
FR-XC-H160K	50°C rating	160	
FR-XC-H160K-PWM	40°C rating		
FR-XC-H220K	50°C rating	220	
FR-XC-H220K-PWM	40°C rating		

Multifunction regeneration converter		Dedicated stand-alone reactor
Model	Rated surrounding temperature	FR-MCB-H[]
FR-XC-H75K	50°C rating	150
FR-XC-H75K-PWM	40°C rating	
FR-XC-H160K	50°C rating	400
FR-XC-H160K-PWM	40°C rating	
FR-XC-H220K	50°C rating	400
FR-XC-H220K-PWM	40°C rating	

<<Combination in power regeneration mode 2>>

• 200 V class

Multifunction regeneration converter		Dedicated stand-alone reactor
Model	Rated surrounding temperature	FR-XCG-[]K
FR-XC-7.5K	50°C/40°C rating	7.5
FR-XC-11K		11
FR-XC-15K		15
FR-XC-18.5K-PWM		22
FR-XC-22K		
FR-XC-22K-PWM		30
FR-XC-30K		
FR-XC-37K		37
FR-XC-37K-PWM		
FR-XC-55K		55
FR-XC-55K-PWM		

• 400 V class

Multifunction regeneration converter		Dedicated stand-alone reactor
Model	Rated surrounding temperature	FR-XCG-H[]K
FR-XC-H7.5K	50°C/40°C rating	7.5
FR-XC-H11K		11
FR-XC-H15K		15
FR-XC-H18.5K-PWM		22
FR-XC-H22K		
FR-XC-H22K-PWM		30
FR-XC-H30K		
FR-XC-H37K		37
FR-XC-H37K-PWM		
FR-XC-H55K		55
FR-XC-H55K-PWM		
FR-XC-H75K	50°C rating	75
FR-XC-H75K-PWM	40°C rating	90
FR-XC-H160K	50°C rating	132
FR-XC-H160K-PWM	40°C rating	160
FR-XC-H220K	50°C rating	185
FR-XC-H220K-PWM	40°C rating	220

Braking option

<<Combination matrix of FR-XCCP and FR-XC(-PWM)>>

Multifunction regeneration converter	Converter installation attachment for enclosure
Model	FR-XCCP[]
FR-XC-7.5K FR-XC-H7.5K	01
FR-XC-11K FR-XC-H11K	
FR-XC-15K FR-XC-H15K	02
FR-XC-22K FR-XC-H22K	
FR-XC-30K FR-XC-H30K	03
FR-XC-18.5K-PWM	
FR-XC-H18.5K-PWM	
FR-XC-22K-PWM	
FR-XC-H22K-PWM	

<<Combination matrix of FR-XCCU and FR-XC(-PWM)>>

Multifunction regeneration converter	IP20 compatible attachment
Model	FR-XCCU[]
FR-XC-37K FR-XC-37K-PWM	01
FR-XC-H55K FR-XC-H55K-PWM	
FR-XC-55K FR-XC-55K-PWM	02
FR-XC-H37K FR-XC-H37K-PWM	03

●Specifications (Common bus regeneration mode)

<<200V class>>

Model		FR-XC-[]K*1						FR-XC-[]K-PWM*2					
		7.5	11	15	22	30	37	55	18.5	22	37	55	
50°C rating	Applicable inverter capacity (kW)	7.5	11	15	22	30	37	55	22	30	37	55	
	Applicable motor current (A)	33	46	61	90	115	145	215	90	115	145	215	
	Rated input current (A)	Power driving	33	47	63	92	124	151	223	92	124	151	223
		Regenerative driving	26	37	51	74	102	125	186	74	102	125	186
	Continuous rating / overload current rating		100% continuous / 150% 60 s										
Power supply capacity (kVA)*3		17	20	28	41	52	66	100	41	52	66	100	
40°C rating	Applicable inverter capacity (kW)	7.5	11	15	22	30	37	55	22	30	37	55	
	Applicable motor current (A)	36	50	67	99	127	160	236	99	127	160	236	
	Rated input current (A)	Power driving	36	51	69	101	136	166	245	101	136	166	245
		Regenerative driving	28	40	56	81	112	138	204	81	112	138	204
	Continuous rating / overload current rating		100% continuous / 150% 60 s										
Power supply capacity (kVA)*3		19	22	31	45	57	73	110	45	57	73	110	
Power source	Rated input AC voltage/frequency	Three-phase 200 to 240 V, 50/60 Hz*10											
	Permissible AC voltage fluctuation	Three-phase 170 to 264 V, 50/60 Hz											
	Permissible frequency fluctuation	±5%											
Protection rating of structure (IEC 60529)		IP00*5						IP00*6					
Cooling system		Forced air											
Number of connectable inverters		10*8											
Approx. mass (kg)*9		5	5	6	10.5	10.5	28	38	10.5	10.5	28	38	

<<400V class>>

Model		FR-XC-H[]K*1									FR-XC-[]K-PWM*2											
		7.5	11	15	22	30	37	55	75	160	220	18.5	22	37	55	75	160	220				
50°C rating	Applicable inverter capacity (kW)	7.5	11	15	22	30	37	55	75	160	220	22	30	37	55	75	160	220				
	Applicable motor current (A)	17	23	31	44	57	71	110	144	325	432	44	57	71	110	144	325	432				
	Rated input current (A)	Power driving	18	25	34	49	65	80	118	158	331	450	49	65	80	118	158	331	450			
		Regenerative driving	14	20	27	39	54	66	98	135	288	396	39	54	66	98	135	288	396			
	Continuous rating / overload current rating		100% continuous / 150% 60 s																			
Power supply capacity (kVA)*4		17	20	28	41	52	66	100	133	279	379	41	52	66	100	133	279	379				
40°C rating	Applicable inverter capacity (kW)	7.5	11	15	22	30	37	55	90	185	250	22	30	37	55	90	185	250				
	Applicable motor current (A)	18	25	34	48	63	78	120	180	361	481	48	63	78	120	180	361	481				
	Rated input current (A)	Power driving	20	27	37	53	72	88	129	189	382	515	53	72	88	129	189	382	515			
		Regenerative driving	15	21	29	42	59	72	107	162	333	450	42	59	72	107	162	333	450			
	Continuous rating / overload current rating		100% continuous / 150% 60 s																			
Power supply capacity (kVA)*4		19	22	30	44	58	73	110	160	322	434	44	58	73	110	160	322	434				
Power source	Rated input AC voltage/frequency	Three-phase 380 to 500 V, 50/60 Hz*10									Three-phase 380 to 500 V, 50/60 Hz*10+11			Three-phase 380 to 500 V, 50/60 Hz*10								
	Permissible AC voltage fluctuation	Three-phase 323 to 550 V, 50/60 Hz																				
	Permissible frequency fluctuation	±5%																				
Protection rating of structure (IEC 60529)		IP00*5									IP20*5 (FR-XCB and FR-MCB included)			IP00*6			IP20*7 (FR-XCB and FR-MCB included)					
Cooling system		Forced air											Forced air									
Number of connectable inverters		10*8																				
Approx. mass (kg)*9		5	5	6	10.5	10.5	28	28	45	96	96	10.5	10.5	28	28	45	96	96				

- *1 For the FR-XC-[]K, the common bus regeneration mode is selected initially. For the FR-XC-[]K-PWM, the harmonic suppression mode is selected initially.
- *2 The harmonic suppression mode is selected initially. Set Pr.416 = "0" to select the common bus regeneration mode.
- *3 Selection example for 220 V power supply voltage.
- *4 Selection example for 440 V power supply voltage.
- *5 IP00 for the FR-XCL.
- *6 IP20 for the FR-XCB.
- *7 IP00 when the side wiring cover of the FR-XC is removed.
- *8 If you want to connect 11 or more inverters, contact your sales representative.
- *9 Mass of the FR-XC alone.
- *10 The permissible voltage imbalance ratio is 3% or less. (Unbalance factor = Max | Line voltage - Mean of three line voltages | / Mean of three line voltages × 100)
- *11 The rated voltage of the FR-MCB is three-phase 380 to 480 V, 50/60 Hz.

● Specifications (Harmonic suppression mode)

<<200V class>>

Model		FR-XC-H[]K*1				FR-XC-[]K-PWM*1			
		22	30	37	55	18.5	22	37	55
50°C rating	Applicable inverter capacity (kW)	18.5	22	37	55	18.5	22	37	55
	Applicable motor current (A)	76	90	145	215	76	90	145	215
	Rated input current (A)	69	82	134	198	69	82	134	198
	Power/ regenerative driving								
	Continuous rating / overload current rating	100% continuous / 150% 60 s				100% continuous / 150% 60 s			
Power supply capacity (kVA)*2		30	35	57	84	30	35	57	84
40°C rating	Applicable inverter capacity (kW)	18.5	22	37	55	18.5	22	37	55
	Applicable motor current (A)	83	99	160	236	83	99	160	236
	Rated input current (A)	75	90	147	217	75	90	147	217
	Power/ regenerative driving								
	Continuous rating / overload current rating	100% continuous / 150% 60 s				100% continuous / 150% 60 s			
Power supply capacity (kVA)*2		32	38	62	92	32	38	62	92
Power source	Rated input AC voltage/frequency	Three-phase 200 to 230 V, 50/60 Hz*6+11				Three-phase 200 to 230 V, 50/60 Hz*6+11			
	Permissible AC voltage fluctuation	Three-phase 170 to 253 V, 50/60 Hz				Three-phase 170 to 253 V, 50/60 Hz			
	Permissible frequency fluctuation	±5%				±5%			
Input power factor		0.99 or more (when load ratio is 100%)				0.99 or more (when load ratio is 100%)			
Protection rating of structure (IEC 60529)		IP00*4				IP00*5			
Cooling system		Forced air				Forced air			
Number of connectable inverters		10*8				10*8			
Approx. mass (kg)*9		10.5	10.5	28	28	10.5	10.5	28	38

<<400V class>>

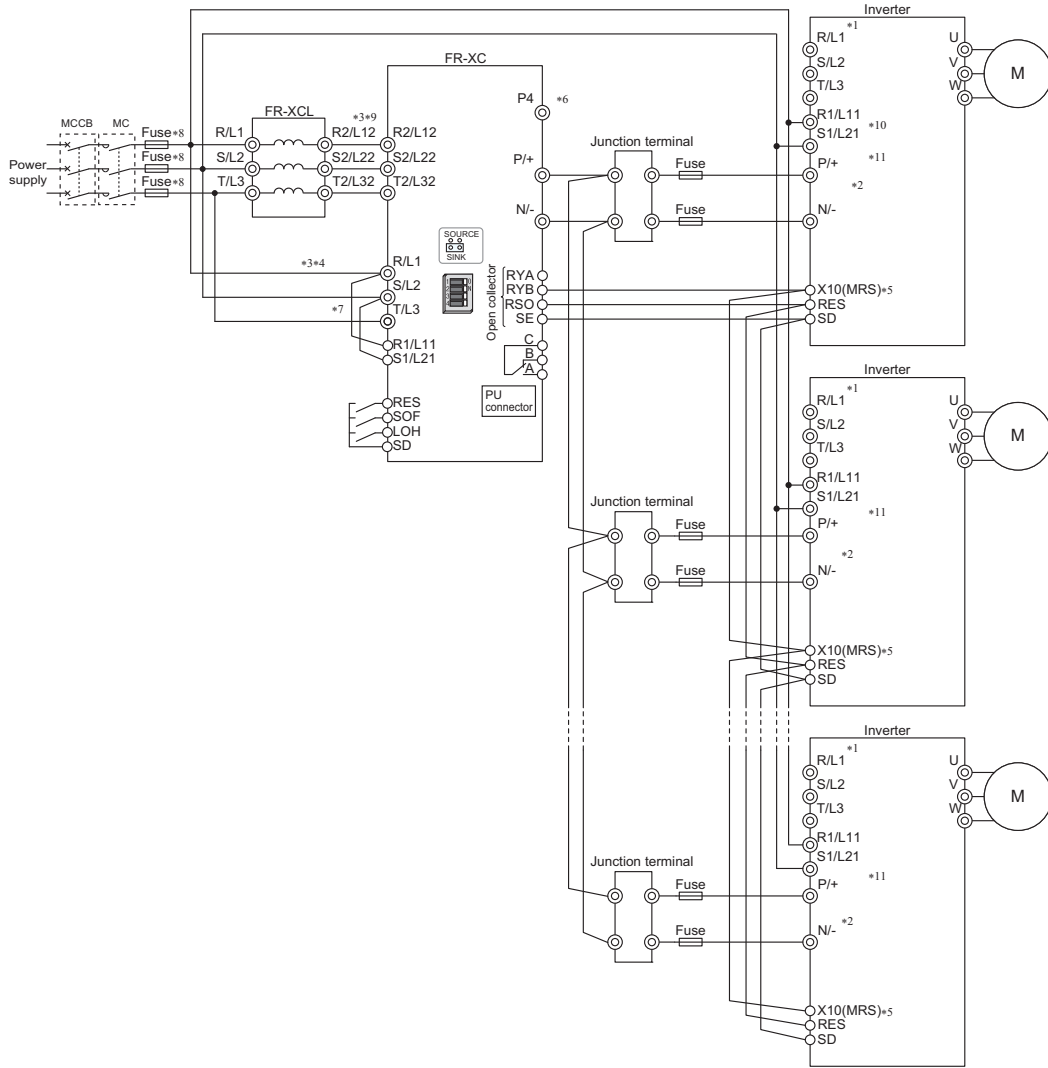
Model		FR-XC-[]K*1						FR-XC-[]K-PWM*1							
		22	30	37	55	75	160	220	18.5	22	37	55	75	160	220
50°C rating	Applicable inverter capacity (kW)	18.5	22	37	55	75	160	220	18.5	22	37	55	75	160	220
	Applicable motor current (A)	38	44	71	110	144	325	432	38	44	71	110	144	325	432
	Rated input current (A)	37	43	71	104	139	290	397	37	43	71	104	139	290	397
	Power/ regenerative driving														
	Continuous rating / overload current rating	100% continuous / 150% 60 s						100% continuous / 150% 60 s							
Power supply capacity (kVA)*3		32	37	60	88	118	245	334	32	37	60	88	118	245	334
40°C rating	Applicable inverter capacity (kW)	18.5	22	37	55	90	185	250	18.5	22	37	55	90	185	250
	Applicable motor current (A)	42	48	78	120	180	361	481	42	48	78	120	180	361	481
	Rated input current (A)	40	47	78	113	168	335	450	40	47	78	113	168	335	450
	Power/ regenerative driving														
	Continuous rating / overload current rating	100% continuous / 150% 60 s						100% continuous / 150% 60 s							
Power supply capacity (kVA)*3		34	40	66	96	142	282	379	34	40	66	96	142	282	379
Power source	Rated input AC voltage/frequency	Three-phase 380 to 480 V, 50/60 Hz*7+11						Three-phase 380 to 480 V, 50/60 Hz*7+11							
	Permissible AC voltage fluctuation	Three-phase 323 to 506 V, 50/60 Hz						Three-phase 323 to 506 V, 50/60 Hz							
	Permissible frequency fluctuation	±5%						±5%							
Input power factor		0.99 or more (when load ratio is 100%)						0.99 or more (when load ratio is 100%)							
Protection rating of structure (IEC 60529)		IP00*4			IP20*10(FR-XCB and FR-MCB included)			IP00*5			IP20*10(FR-XCB and FR-MCB included)				
Cooling system		Forced air						Forced air							
Number of connectable inverters		10*8						10*8							
Approx. mass (kg)*9		10.5	10.5	28	28	45	96	96	10.5	10.5	28	38	45	96	96

- *1 For the FR-XC-[]K, the common bus regeneration mode is selected initially. For the FR-XC-[]K-PWM, the harmonic suppression mode is selected initially.
- *2 Selection example for 220 V power supply voltage.
- *3 Selection example for 440 V power supply voltage.
- *4 IP00 for the FR-XCL.
- *5 IP20 for the FR-XCB.
- *6 The DC bus voltage is approx. 297 VDC at an input voltage of 200 VAC, approx. 327 VDC at 220 VAC, and approx. 342 VDC at 230 VAC.
- *7 The DC bus voltage is approx. 594 VDC at an input voltage of 400 VAC, approx. 653 VDC at 440 VAC, and approx. 713 VDC at 480 VAC.
- *8 If you want to connect 11 or more inverters, contact your sales representative.
- *9 Mass of the FR-XC alone.
- *10 IP00 when the side wiring cover of the FR-XC is removed.
- *11 The permissible voltage imbalance ratio is 3% or less. (Unbalance factor = Max | Line voltage - Mean of three line voltages | / Mean of three line voltages × 100)

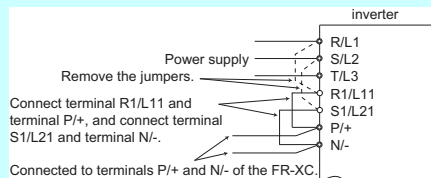
Braking option

● Connection diagram (Common bus regeneration mode)

<<55K or lower>>

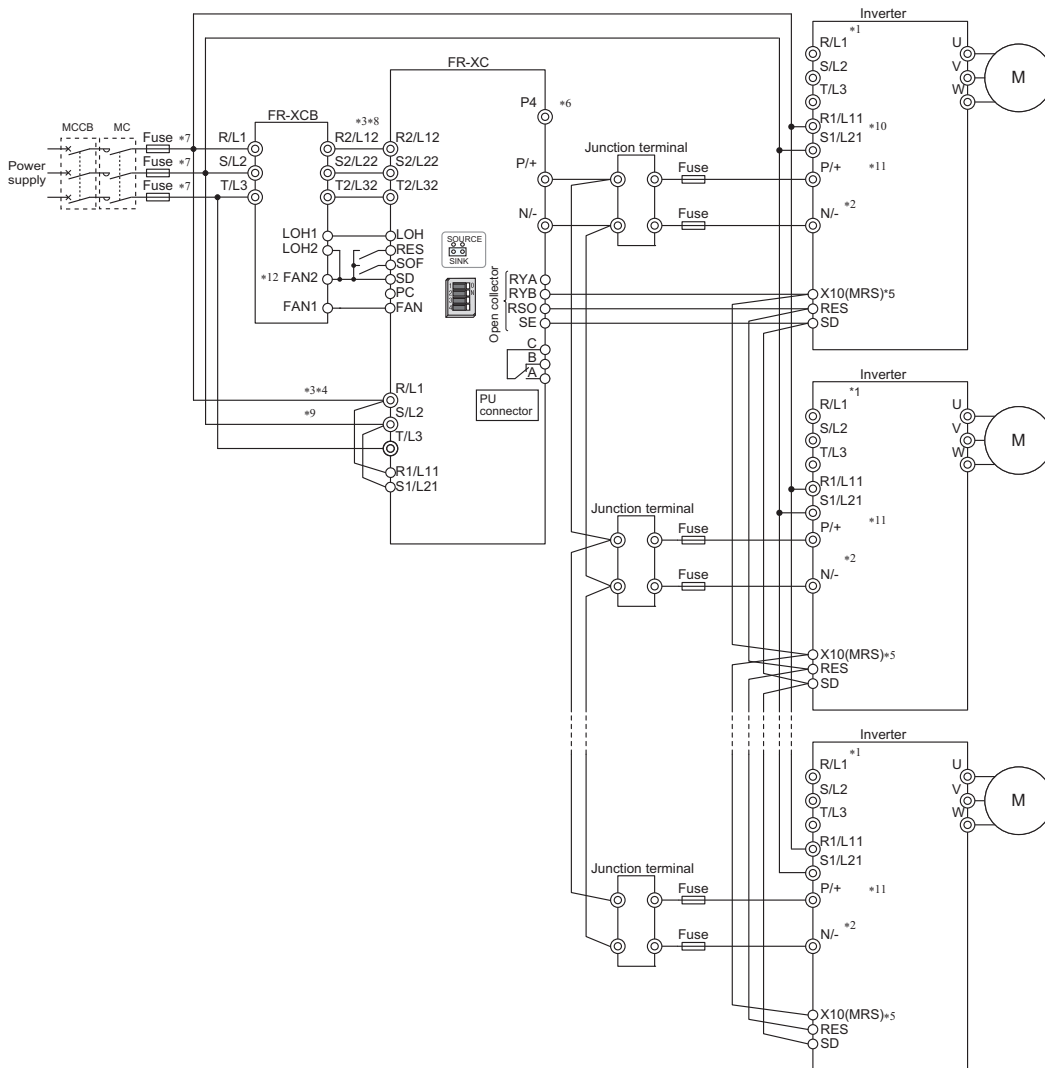


- *1 Never connect the power supply to terminals R/L1, S/L2, and T/L3 on the inverter. Incorrect connection will damage the inverter and the converter.
- *2 Connect between the inverter terminal P/+ and the converter terminal P/+ and between the inverter terminal N/- and the converter terminal N/- for polarity consistency. Connecting opposite polarity of terminals P/+ an N/- will damage the converter and the inverter.
- *3 Confirm the correct phase sequence of three-phase current to connect between the reactor and the converter, and between the power supply and the converter (terminals R/L1, S/L2, and T/L3).
Incorrect connection will damage the converter.
- *4 Always connect between the power supply and terminals R/L1, S/L2, and T/L3 of the converter. Operating the inverter without connecting them will damage the converter.
- *5 Assign the X10 signal to any of the input terminals.
- *6 Do not connect anything to terminal P4.
- *7 When using a separate power supply for the control circuit, remove each jumper at terminal R1/L11 and terminal S1/L21.
- *8 Install the UL listed fuse (refer to the FR-XC Instruction Manual) on the input side of the reactor to meet the UL/cUL standards.
- *9 Do not install an MCCB or MC between the reactor and the converter. Doing so disrupts proper operation.
- *10 When the inverter has control circuit power supply terminals (R1/L11 and S1/L21), wire them as shown in the diagram. For inverters without terminals R1/L11 and S1/L21, wiring is not required.
- *11 Instead of connecting the terminals to the AC power supply, the control circuit can be powered by connecting terminal R1/L11 to terminal P/+ and terminal S1/L21 to terminal N/-.

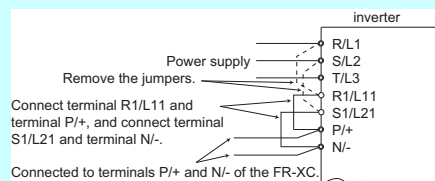


● Connection diagram (Harmonic suppression mode)

<<55K or lower>>



- *1 Never connect the power supply to terminals R/L1, S/L2, and T/L3 on the inverter. Incorrect connection will damage the inverter and the converter.
- *2 Connect between the inverter terminal P/+ and the converter terminal P/+ and between the inverter terminal N/- and the converter terminal N/- for polarity consistency. Connecting opposite polarity of terminals P/+ and N/- will damage the converter and the inverter.
- *3 Confirm the correct phase sequence of three-phase current to connect between the reactor and the converter, and between the power supply and the converter (terminals R/L1, S/L2, and T/L3). Incorrect connection will damage the converter.
- *4 Always connect between the power supply and terminals R/L1, S/L2, and T/L3 of the converter. Operating the inverter without connecting them will damage the converter.
- *5 Assign the X10 signal to any of the input terminals.
- *6 Do not connect anything to terminal P4.
- *7 Install the UL listed fuse (refer to the FR-XC Instruction Manual) on the input side of the reactor to meet the UL/cUL standards.
- *8 Do not install an MCCB or MC between the reactor and the converter. Doing so disrupts proper operation.
- *9 When using a separate power supply for the control circuit, remove the jumpers connected to terminals R1/L11 and S1/L21.
- *10 When the inverter has control circuit power supply terminals (R1/L11 and S1/L21), wire them as shown in the diagram. For inverters without terminals R1/L11 and S1/L21, wiring is not required.
- *11 Instead of connecting the terminals to the AC power supply, the control circuit can be powered by connecting terminal R1/L11 to terminal P/+ and terminal S1/L21 to terminal N/-. In this case, do not connect the terminals to the AC power supply. Doing so will damage the inverter.



*12 The terminal symbols differ depending on the manufacture year and month of the FR-XCB. (Refer to the FR-XC Instruction Manual.)

For details on the control modes, refer to the FR-XC catalog (L(NA)06116ENG).

Catalog ►



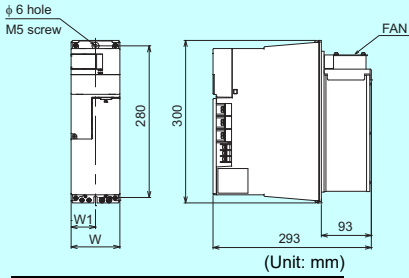
Braking option

●Outline dimension drawings

This is an example of the outer appearance, which differs depending on the model.

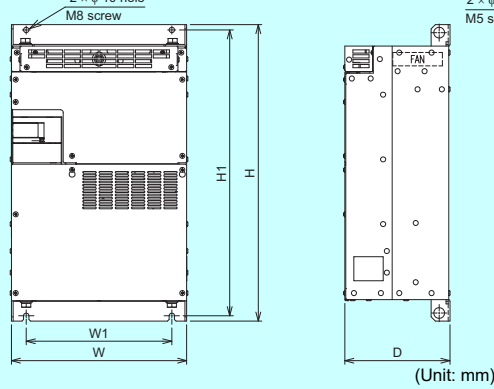
<<Multifunction regeneration converter FR-XC (-PWM)>>

•FR-XC-(H)7.5K, (H)11K, (H)15K



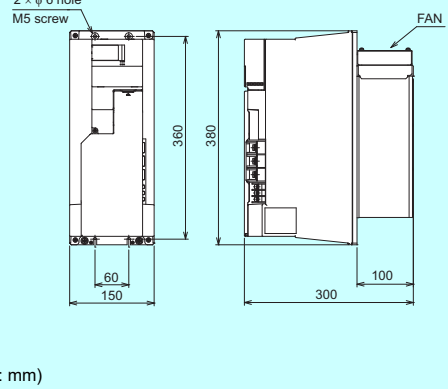
Model	W	W1
FR-XC-(H)7.5K, (H)11K	90	45
FR-XC-(H)15K	120	60

•FR-XC-(H)37K, (H)55K
•FR-XC-(H)37K-PWM, (H)55K-PWM



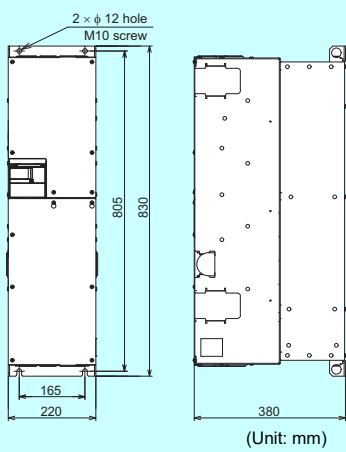
Model	W	W1	H	H1	D
FR-XC-(H)37K, H55K FR-XC-(H)37K-PWM, H55K-PWM	325	270	550	530	195
FR-XC-55K FR-XC-55K-PWM	370	300	620	600	250

•FR-XC-(H)22K, (H)30K
•FR-XC-(H)18.5K-PWM, (H)22K-PWM

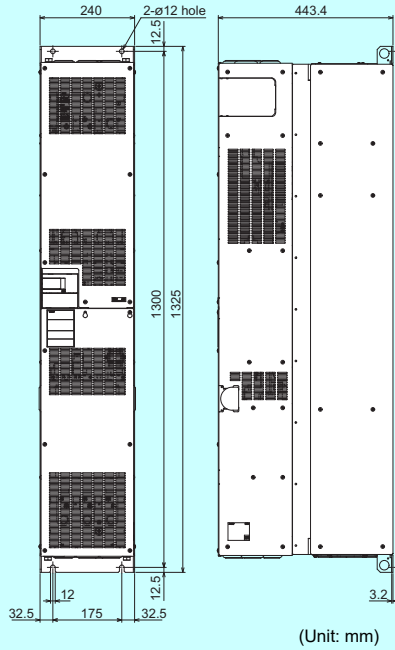


(Unit: mm)

•FR-XC-H75K
•FR-XC-H75K-PWM

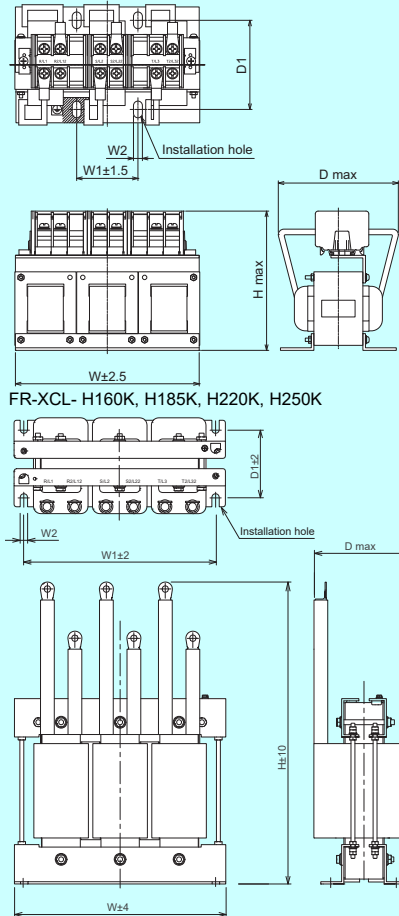


•FR-XC-H160K, H220K
•FR-XC-H160K-PWM, 220K-PWM



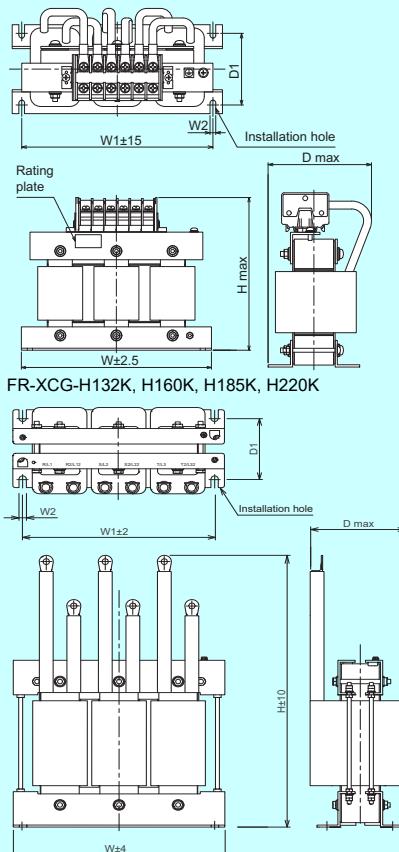
<<Dedicated stand-alone reactor FR-XCL>>

FR-XCL-FR-XCL-(H)7.5K, (H)11K, (H)15K, (H)22K, (H)30K, (H)37K, (H)55K, H75K, H90K



<<Dedicated stand-alone reactor FR-XCG>>

FR-XCG-(H)7.5K, (H)11K, (H)15K, (H)22K, (H)30K, (H)37K, (H)55K, H75K, H90K



200 V class

(Unit: mm)

Model	W	W1	W2	H	D	D1	Mounting screw size	Terminal screw size	Mass
FR-XCL-7.5K	165	55	8	125	120	80±2	M6	M5	3.9 kg
FR-XCL-11K					130	73±2			3.6 kg
FR-XCL-15K	192	70	8	130	130	100±2	M6	M6	5.5 kg
FR-XCL-22K					140	110±2			6.3 kg
FR-XCL-30K	240	70	10	150	160	119±2	M8	M10	10.0 kg
FR-XCL-37K	248	200	10	190	240	120±5	M8	M10	12.0 kg
FR-XCL-55K	250	225	10	190	260	135±5	M8	M10	15.5 kg

400 V class

(Unit: mm)

Model	W	W1	W2	H	D	D1	Mounting screw size	Terminal screw size	Mass
FR-XCL-H7.5K	165	55	8	125	120	73±2	M6	M5	3.7 kg
FR-XCL-H11K					135	80±2			4.2 kg
FR-XCL-H15K	240	70	8	150	150	109±2	M6	M6	6.0 kg
FR-XCL-H22K					170	129±2			9.0 kg
FR-XCL-H30K	220	200	10	190	230	120±5	M8	M8	12.0 kg
FR-XCL-H55K	250	225	10	190	230	135±5	M8	M8	16.0 kg
FR-XCL-H75K	300	270	10	335	200	140±2	M8	M8	50.0 kg
FR-XCL-H90K	300	270	10	360	210	150±2	M8	M8	60.0 kg
FR-XCL-H160K	430	390	15	600	190	140	M12	M12	95.0 kg
FR-XCL-H185K					210	160			115.0 kg
FR-XCL-H220K	500	460	15	640	210	160	M12	M12	150.0 kg
FR-XCL-H250K									660

200 V class

(Unit: mm)

Model	W	W1	W2	H	D	D1	Mounting screw size	Terminal screw size	Mass
FR-XCG-7.5K	220	200	6	185	115	60±1.5	M5	M5	5 kg
FR-XCG-11K					120	75±1.5			8 kg
FR-XCG-15K	255	225	8	240	190	90±1.5	M6	M6	11 kg
FR-XCG-22K					140	85±1.5			16 kg
FR-XCG-30K	300	270	10	285	155	100±1.5	M8	M10	20 kg
FR-XCG-37K					180	100±1.5			25 kg
FR-XCG-55K	300	270	10	285	190	130±1.5	M8	M10	40 kg

400 V class

(Unit: mm)

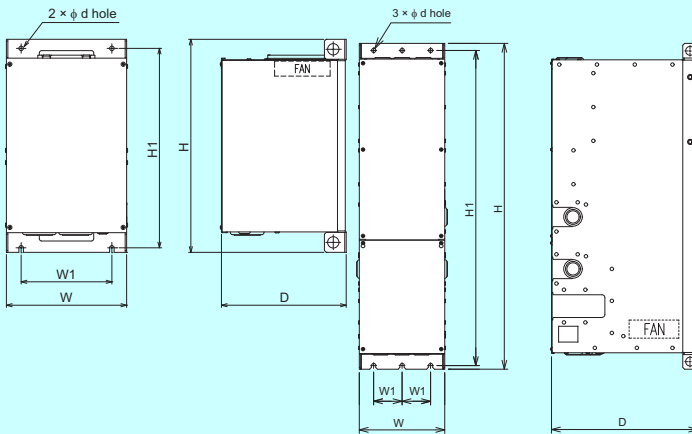
Model	W	W1	W2	H	D	D1	Mounting screw size	Terminal screw size	Mass
FR-XCG-H7.5K	220	200	6	185	115	60±1.5	M5	M5	5 kg
FR-XCG-H11K					120	75±1.5			8 kg
FR-XCG-H15K	255	225	8	240	130	90±1.5	M6	M6	11 kg
FR-XCG-H22K					140	85±1.5			16 kg
FR-XCG-H30K	300	270	10	285	180	100±1.5	M8	M8	20 kg
FR-XCG-H37K					190	100±1.5			25 kg
FR-XCG-H55K	300	270	10	335	200	140±2	M8	M8	50 kg
FR-XCG-H75K	300	270	10	360	210	150±2	M8	M8	60 kg
FR-XCG-H90K	300	270	10	360	210	150±2	M8	M8	60 kg
FR-XCG-H132K	430	390	15	560	195	140±2	M12	M12	80.0 kg
FR-XCG-H160K					190	140±2			95.0 kg
FR-XCG-H185K	500	460	15	600	210	160±2	M12	M12	115.0 kg
FR-XCG-H220K									650

Braking option

<<Dedicated box-type reactor FR-XCB>>

FR-XCB-(H)55K or less

FR-XCB-H75K



200 V class

(Unit: mm)

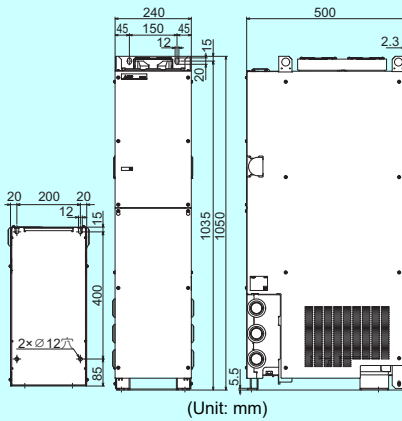
Model	W	W1	H	H1	D	d	Screw size	Mass
FR-XCB-18.5K	265	200	470	440	275	10	M8	26.0 kg
FR-XCB-22K								56.9 kg
FR-XCB-37K								68.5 kg
FR-XCB-55K								

400 V class

(Unit: mm)

Model	W	W1	H	H1	D	d	Screw size	Mass
FR-XCB-H18.5K	265	200	470	440	275	10	M8	26.9 kg
FR-XCB-H22K								63.0 kg
FR-XCB-H37K								73.0 kg
FR-XCB-H55K								
FR-XCB-H75K	240	80	915	885	410	12	M10	120.0 kg

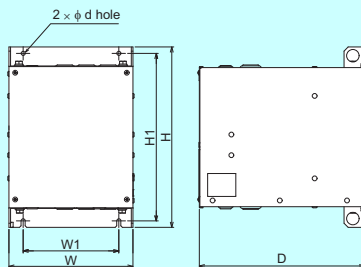
FR-XCB-H160K, H220K



(Unit: mm)

Model	Mass
FR-XCB-H160K	230.0 kg
FR-XCB-H220K	260.0 kg

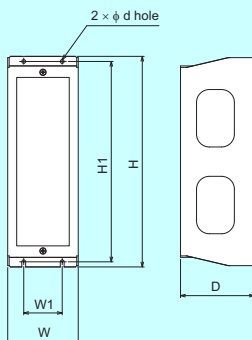
<<Dedicated contactor box FR-MCB>>



(Unit: mm)

Model	W	W1	H	H1	D	d	Screw size	Mass
FR-MCB-H150	240	185	350	325	320	8	M6	17.0 kg
FR-MCB-H400		175	540	518	370	10		29.0 kg
FR-MCB-H800			880	858				51.0 kg

<<Converter installation enclosure attachment FR-XCCP>>



(Unit: mm)

Model	W	W1	H	H1	D	d	Screw size
FR-XCCP01	110	60	330	314	115	6	M5
FR-XCCP02	130	90		120			
FR-XCCP03	160	120	410	396	116	7	M6

Noise filter

Line noise filter

FR-BSF01 ALL FR-BLF ALL

RC5128ZZ (introduced product) A800 A800 Plus F800 A701

A filter is used to suppress radio noise and line noise emitted from the inverter power supply side or output side.

Introduced product: RC5128ZZ Manufacturer: Soshin Electric Co., Ltd.

Specifications

Model	FR-BSF01				FR-BLF				RC5128ZZ (introduced product)		
Applicable inverter capacity	For small capacity inverter *1				For general inverter *1				For large capacity inverter *1		
Compatible wire size (mm ²)	2, 3.5	5.5	8, 14	22	2 to 22	30 to 60	80	100 to 150	100 to 125	150 to 200	250
Number of times of wire to be passed through (T)	4	3	2	1	4	3	2	1	3	2	1
Improvement effect	Greater effect between 0.5 to 5MHz The greater the number of turns, the more effective result is obtained.										
Rated input AC power supply	Three phase 200 V 50 Hz/three phase 200/220 V 60 Hz										
	Three phase 400 V 50 Hz/three phase 400/440 V 60 Hz										
Approximate mass (kg)	0.2				1.2				1.1		

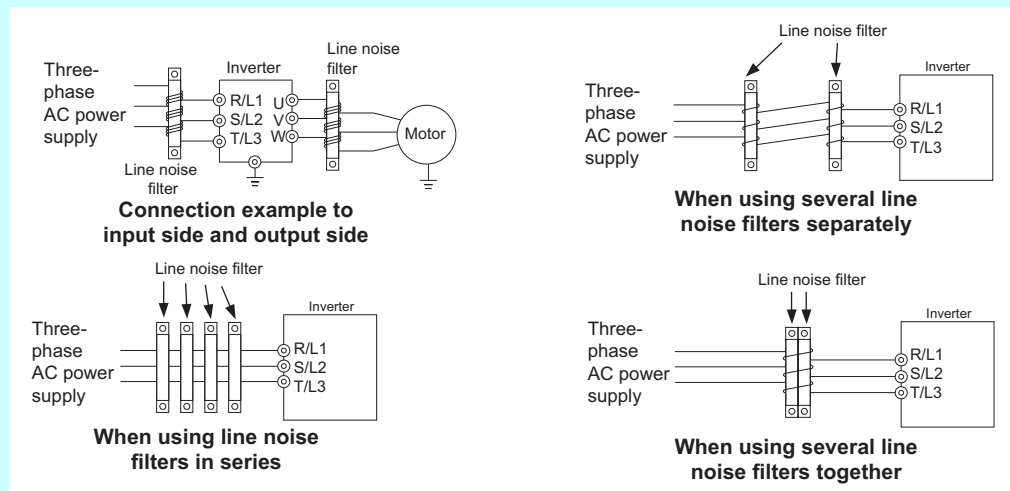


FR-BLF

- *1 Used up to the cable thickness (applicable wire size) less than the size of wire passing hole.
- *2 For the 55K or lower models of the FR-A800, FR-A800 Plus, and FR-F800 series inverters, a corresponding appliance (common mode choke) is built-in on the input side.

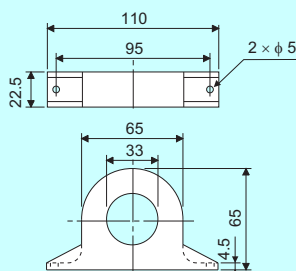
Connection diagram

- Ensure that each phase is wound one time in the same direction.
- When connecting to the input side, it is recommended that the wire should be turned three times or more (4T, 4 turns). The greater the number of turns, the more effective result is obtained.
- When using several line noise filters to make 4T or more, wind the phases (cables) together. Do not use different line noise filter for different phases.
- When using filters at the output side, do not wind the cable more than 4 turns (4T) for each filter as the filter may overheat.
- Do not wind earthing cable.
- When the wire size is too thick to wind, use more than four filters in series.

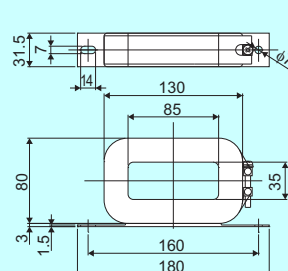


Outline dimension drawings

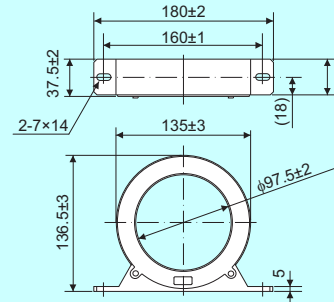
<<FR-BSF01>>



<<FR-BLF>>



<<RC5128ZZ (introduced product)>>



Radio noise filter

FR-BIF (E800) (E700) (F700PJ) (D700)

A filter is used to suppress radio noise emitted from the inverter power supply side.

●Specifications

Type	200 V	400 V
	FR-BIF	FR-BIF-H
Applicable inverter capacity	Usable regardless of the inverter capacity *	
Improvement effect	Greater effect at 10 MHz or less (note that the effect differs according to region.)	
Rated input AC power supply	Three phase 200 V 50 Hz/ three phase 200/220 V 60 Hz	Three-phase 400 V 50 Hz/ three phase 400/440 V 60 Hz
Approximate mass (kg)	0.1	0.1

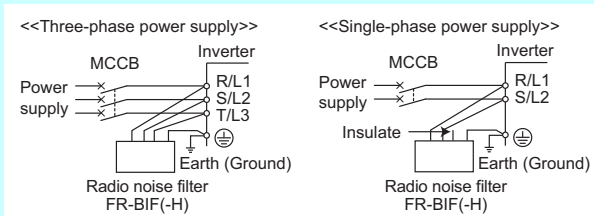
* For the FR-A800, FR-A800 Plus, or FR-F800 series inverter, a corresponding filter (capacitive filter) is built-in.



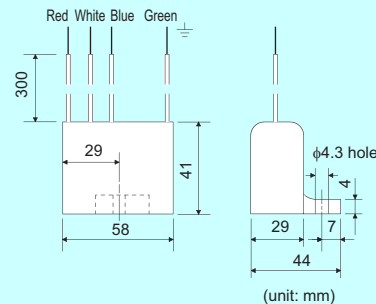
FR-BIF-H

●Connection diagram

- Connect to the inverter input side. Connect the filter directly to the inverter input terminal.
- Since long connection wire reduces effect, the wire length should be minimized. Make sure to perform earthing with resistance of 100 Ω or less.
- When the filter is used in the inverter with the single-phase power input specification, cut the T-phase wire as short as possible and insulate the cut end securely.
- The maximum leakage current is about 4 mA (8 mA for the 400 V class). (The leakage current is equivalent to the current for one phase of the three-phase three-wire star-connection power supply.)



●Outline dimension drawings



EMC Directive compliant EMC filter

FR-E5NF (E800) (E700) (F700PJ) (D700) FR-S5NFSA (E800) (E700) (D700)

This EMC filter complies with the EU EMC Directive.

●Selection

- Select the appropriate noise filter based on the inverter and noise filter combinations shown below.

FR-E800 Series Inverter Model		EMC Filter Model
Single phase 200 V class	FR-E820S-0.1K to 0.4K	SF1320
	FR-E820S-0.75K	SF1321
	FR-E820S-1.5K	FR-S5NFSA-1.5K
	FR-E820S-2.2K	SF1309
200 V class	FR-E820-0.1K to 1.5K	SF1306
	FR-E820-2.2K, 3.7K	SF1309
	FR-E820-5.5K to 11K	SF1260
	FR-E820-15K	SF1261
	FR-E820-18.5K, 22K	SF1262
400 V class	FR-E840-0.4K, 0.75K	FR-E5NF-H0.75K
	FR-E840-1.5K to 3.7K	FR-E5NF-H3.7K
	FR-E840-5.5K, 7.5K	FR-E5NF-H7.5K
	FR-E840-11K, 15K	SF1175
	FR-E840-18.5K, 22K	SF1176

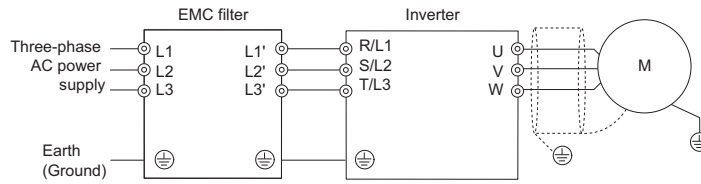
FR-E700 Series Inverter Model		EMC Filter Model
Single phase 100 V class	FR-E710W-0.1K to 0.4K	FR-S5NFSA-0.75K
	FR-E710W-0.75K	FR-S5NFSA-1.5K
Single phase 200 V class	FR-E720S-0.1K to 0.4K	SF1320
	FR-E720S-0.75K	SF1321
	FR-E720S-1.5K	FR-S5NFSA-1.5K
	FR-E720S-2.2K	SF1309
200 V class	FR-E720-0.1K to 1.5K	SF1306
	FR-E720-2.2K, 3.7K	SF1309
	FR-E720-5.5K to 11K	SF1260
	FR-E720-15K	SF1261
400 V class	FR-E740-0.4K, 0.75K	FR-E5NF-H0.75K
	FR-E740-1.5K to 3.7K	FR-E5NF-H3.7K
	FR-E740-5.5K, 7.5K	FR-E5NF-H7.5K
	FR-E740-11K, 15K	SF1175

FR-F700PJ Series Inverter Model		EMC Filter Model
200 V class	FR-F720PJ-0.4K to 1.5K	SF1306
	FR-F720PJ-2.2K, 3.7K	SF1309
	FR-F720PJ-5.5K to 11K	SF1260
	FR-F720PJ-15K	SF1261
400 V class	FR-F740PJ-0.4K, 0.75K	FR-E5NF-H0.75K
	FR-F740PJ-1.5K to 3.7K	FR-E5NF-H3.7K
	FR-F740PJ-5.5K, 7.5K	FR-E5NF-H7.5K
	FR-F740PJ-11K, 15K	SF1175

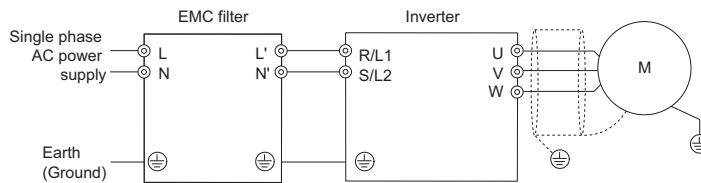
FR-D700 Series Inverter Model		EMC Filter Model
Single phase 100 V class	FR-D710W-0.1K to 0.4K	FR-S5NFSA-0.75K
	FR-D710W-0.75K	FR-S5NFSA-1.5K
Single phase 200 V class	FR-D720S-0.1K to 0.75K	FR-S5NFSA-0.75K
	FR-D720S-1.5K	FR-S5NFSA-1.5K
	FR-D720S-2.2K	SF1309
200 V class	FR-D720-0.1K to 1.5K	SF1306
	FR-D720-2.2K, 3.7K	SF1309
	FR-D720-5.5K to 11K	SF1260
	FR-D720-15K	SF1261
400 V class	FR-D740-0.4K, 0.75K	FR-E5NF-H0.75K
	FR-D740-1.5K to 3.7K	FR-E5NF-H3.7K
	FR-D740-5.5K, 7.5K	FR-E5NF-H7.5K
	FR-D740-11K, 15K	SF1175

●Connection diagram

· Connect to the inverter input side. Refer to EMC Installation Guidelines (BCN-A21041-202/204) for details of wiring method.



Connection diagram of three-phase power supply



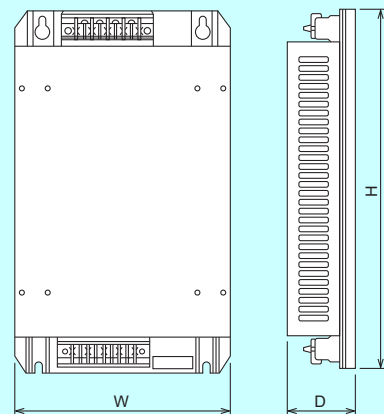
Connection diagram of single-phase power supply

* Take the following measures to prevent a peripheral device malfunction or electric shock accident from occurring due to a leakage current.

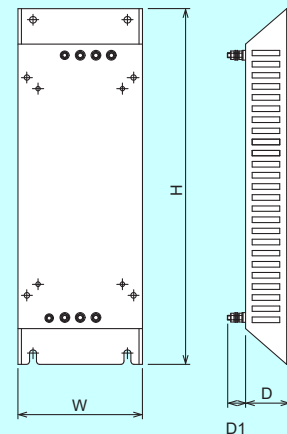
- 1) Ground (earth) the EMC filter before connecting the power supply. In that case, make certain that grounding (earthing) is securely performed via the grounding (earthing) part of the panel.
- 2) Select the earth leakage circuit breaker or earth leakage relay in consideration of the EMC filter's leakage current. A leakage current breaker may not be used when leakage current of EMC filter become large. When using an earth leakage relay which has great sensitivity current or when not using a leakage circuit breaker and earth leakage relay, connect the equipment to the earth securely as shown in 1).

●Outline dimension drawings

EMC Filter Model		Outline Dimension (mm)			Approximate Mass (kg)	Leakage Current Reference Value (mA)
		W	H	D		
Single phase 100 V	FR-S5NFSA-0.75K	70	168	35	0.7	4.5
Single phase 200 V	FR-S5NFSA-1.5K	110	168	35	1.1	9.5
Single phase 200 V	SF1320	70	168	30.5	0.4	10
	SF1321	110	168	36.5	0.6	10
Three phase 200 V	SF1306	110	200	36.5	0.7	10
	SF1309	200	282	57	2.1	15
Three phase 400 V	FR-E5NF-H0.75K	140	210	46	1.1	22.6
	FR-E5NF-H3.7K	140	210	46	1.2	44.5
	FR-E5NF-H7.5K	220	210	47	2	68.4



EMC Filter Model		Outline Dimension (mm)				Approximate Mass (kg)	Leakage Current Reference Value (mA)
		W	H	D	D1		
Three phase 200 V	SF1260	222	468	80	39	5	440
	SF1261	253	600	86	38	9.3	71
	SF1262	303	650	86	47	11	71
Three phase 400 V	SF1175	253	530	60	35	4.7	76
	SF1176	303	600	60	38	5.9	108



- *1 The indicated leakage current is equivalent to the current for one phase of the three-phase three-wire star-connection power supply. For the three-phase three-wire delta-connection power supply, the value becomes approximately three times larger than the listed value.
- *2 An installation intercompatibility attachment and an EMC filter installation attachment may be necessary to install the inverter. In such a case, note that the width equivalent to the intercompatibility attachment length increases.

Noise filter

Filterpack

FR-BFP2 E800 E700 F700PJ D700

Filterpack is enclosed for the FR-F7□0PJ-□KF inverters.

Power factor improving AC reactor, common mode choke, and capacitor type filter are combined into one as Filterpack.

Using the option, the inverter may conform to the Japanese guideline for reduction of harmonic emission.

The option is available for three-phase 200V/400V class inverters with 0.4K to 15K capacity.

Filterpack can be installed on the side or on the rear. (Rear panel installation is not available for FR-E720-5.5K, 7.5K, and FR-E740-0.4K to 3.7K.)

●Specifications

<<For three-phase 200 V class>>

Model FR-BFP2-□K		0.4	0.75	1.5	2.2	3.7	5.5	7.5	11	15
Permissible inverter output current (A) *1		2.5	4.2	7	10	16.5	23.8	31.8	45	58
Approximate mass (kg)		1.3	1.4	2.0	2.2	2.8	3.8	4.5	6.7	7.0
Power factor improving reactor		Install a DC reactor on the DC side. (93% to 95% of power supply power factor under 100% load (94.4% *2))								
Noise filter	Common mode choke	Install a ferrite core on the input side.								
	Capacitive filter	About 4 mA of capacitor leakage current *3								
Protective structure (JEM1030)		Open type (IP00)								

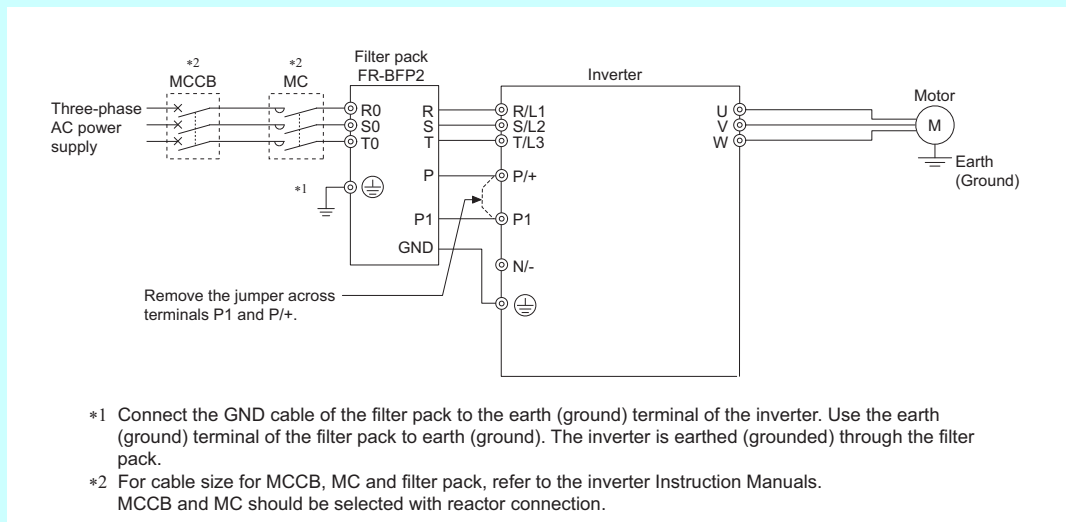


<<For three-phase 400V class>>

Model FR-BFP2-H□K		0.4	0.75	1.5	2.2	3.7	5.5	7.5	11	15
Permissible inverter output current (A) *1		1.2	2.2	3.7	5	8.1	12	16.3	23	29.5
Approximate mass (kg)		1.6	1.7	1.9	2.3	2.6	4.5	5.0	7.0	8.2
Power factor improving reactor		Install a DC reactor on the DC side. (93% to 95% of power supply power factor under 100% load (94.4% *2))								
Noise filter	Common mode choke	Install a ferrite core on the input side.								
	Capacitive filter	About 8 mA of capacitor leakage current *3								
Protective structure (JEM1030)		Open type (IP00)								

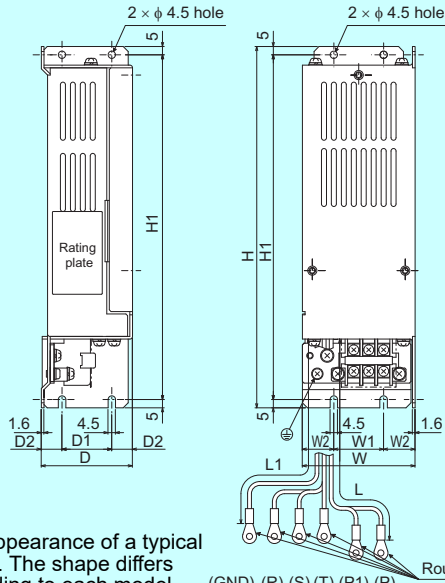
- *1 To use with an FR-E700 series inverter, select a capacity that makes the load (inverter output) current to be the same with the permissible inverter output current or lower.
- *2 The values in parentheses are calculated by applying 1 power factor to the reference waveform in accordance with the Architectural Standard Specifications (Electrical Installation) (2013 revisions) supervised by the Ministry of Land, Infrastructure, Transport and Tourism of Japan.)
- *3 The indicated leakage current is equivalent to the current for one phase of the three-phase three-wire star-connection power supply.

●Connection diagram



●Outline dimension drawings

- FR-BFP2-0.4K to 3.7K
- FR-BFP2-H0.4K to H3.7K



The appearance of a typical model. The shape differs according to each model.

(GND) (R) (S) (T) (P1) (P)

Round crimping terminal ϕ 4.3

(Unit: mm)

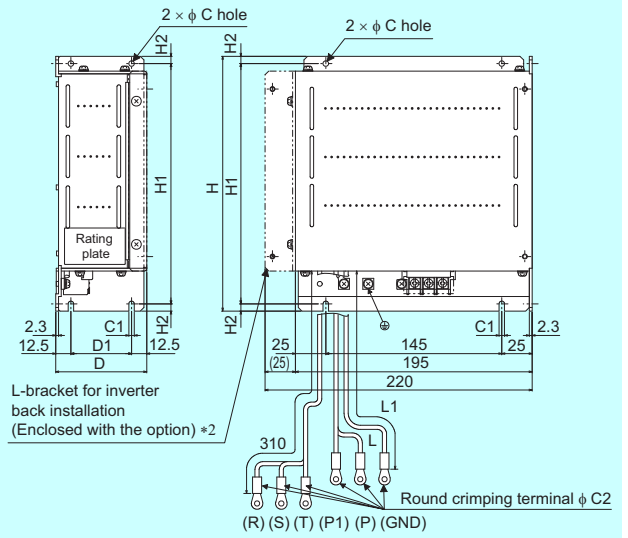
Capacity		W	W1	W2	H	H1	D	D1	D2	L	L1
200 V	0.4K, 0.75K	68	30	19	218	208	60	30	15	240	220
	1.5K, 2.2K	108	55	26.5	188	178	80	55	12.5	200	220
	3.7K	170	120	25	188	178	65	40	12.5	220	240
400 V	H0.4K, H0.75K *1	108	55	26.5	188	178	55	30	12.5	200	220
	H1.5K to H3.7K	108	55	26.5	188	178	80	55	12.5	200	220

*1 The 400V class H0.4K and H0.75K have no slit.

*2 L-bracket is required to install the option to the back of inverter.

L-bracket is not attached when shipped from the factory but is enclosed with the option.

- FR-BFP2-5.5K to 15K
- FR-BFP2-H5.5K to H15K



L-bracket for inverter back installation (Enclosed with the option) *2

Round crimping terminal ϕ C2 (R) (S) (T) (P1) (P) (GND)

(Unit: mm)

Capacity		W	W1	W2	H	H1	D	D1	D2	L	L1
200 V	5.5K, 7.5K	210	198	6	75	50	4.5	4.5	5.3	270	400
	11K	320	305	7.5	85	60	6	6	5.3	280	280
	15K	320	305	7.5	85	60	6	6	6.4	260	260
400 V	H5.5K, H7.5K	210	198	6	75	50	4.5	4.5	4.3	270	400
	H11K	320	305	7.5	85	60	6	6	4.3	280	280
	H15K	320	305	7.5	85	60	6	6	6.4	260	260

Output filter

Surge voltage suppression filter

FR-ASF, FR-BMF

(A800) (A800 Plus) (F800) (E800) (E700) (F700PJ) (D700)

A surge voltage suppression filter limits surge voltage applied to motor terminals when driving the 400V class motor by the inverter. This filter cannot be used under vector control, Real sensorless vector control, and IPM motor control.

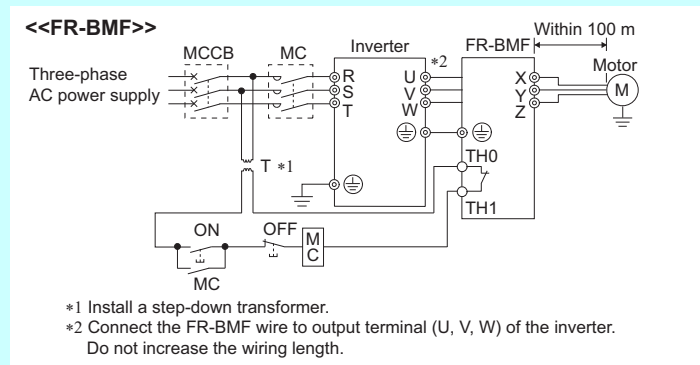
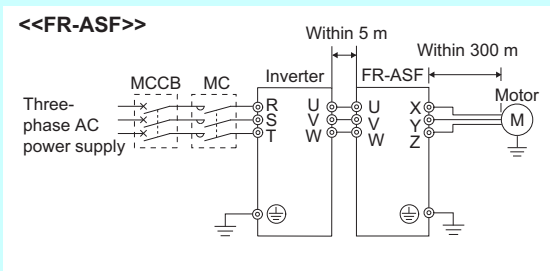
Specifications

Model FR-ASF-□	400V						
	H1.5K	H3.7K	H7.5K	H15K	H22K	H37K	H55K
Applicable motor capacity (kW)	0.4 to 1.5	2.2 to 3.7	5.5 to 7.5	11 to 15	18.5 to 22	30 to 37	45 to 55
Rated input current (A)	4.0	9.0	17.0	31.0	43.0	71.0	110.0
Rated input AC voltage	Three-phase 380 V to 460 V 50/60 Hz						
Maximum AC voltage fluctuation	Three-phase 506V 50 Hz/60 Hz						
Maximum frequency	400 Hz						
PWM frequency permissible range	0.5 kHz to 14.5 kHz						
Maximum wiring length between the filter-motor	300 m						
Approximate mass (kg)	8.0	11.0	20.0	28.0	38.0	59.0	78.0

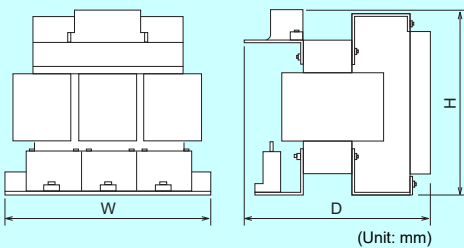
Model FR-BMF-□	400V			
	H7.5K	H15K	H22K	H37K
Applicable motor capacity (kW)	5.5 to 7.5	11 to 15	18.5 to 22	30 to 37
Rated input current (A)	17.0	31.0	43.0	71.0
Rated input AC voltage	Three-phase 380 to 480 V 50 Hz/60 Hz			
Maximum AC voltage fluctuation	Three-phase 323 to 528V 50 Hz/60 Hz			
Maximum AC voltage fluctuation	120 Hz			
PWM frequency permissible range	2 kHz or less *			
Maximum wiring length between the filter-motor	100 m			
Approximate mass (kg)	5.5	9.5	11.5	19

* Always set the inverter PWM frequency to 2 kHz or less.

Connection diagram



<<FR-ASF>>

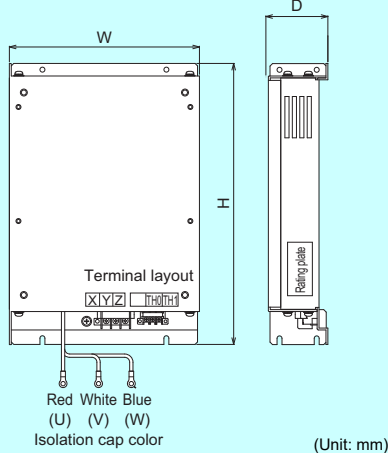


Surge Voltage Suppression Filter Model	W *1	H *1	D *1
FR-ASF-H1.5K	221	193	160
FR-ASF-H3.7K	221	200	180
FR-ASF-H7.5K	281	250	215
FR-ASF-H15K *2	336	265	290
FR-ASF-H22K *2	336	345	354
FR-ASF-H37K *2	376	464	429
FR-ASF-H55K *2	396	464	594

*1 Maximum size
*2 For the H15K or higher, the shape is partially different.

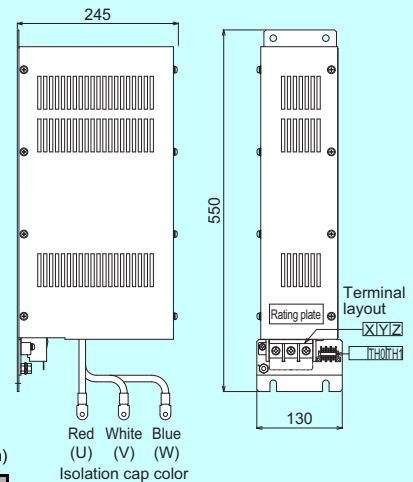
<<FR-BMF>>

● FR-BMF-H7.5K to H22K



Surge Voltage Suppression Filter Model	W	H	D
FR-BMF-H7.5K	230	340	75
FR-BMF-H15K, H22K	260	500	100

● FR-BMF-H37K



Sine wave filter

MT-BSL, MT-BSC (A800) (A800 Plus) (F800) (A701)

Installing the sine wave filter on the inverter output side converts the motor voltage/current into a nearly sine wave. Effects such as 1) acoustic noise reduction, 2) surgeless, and 3) reduction of the motor loss (use of standard motor) could be expected. Always use this filter under V/F control.

● Specifications

Model	200V		400V				
MT-BSL-□□	75K	90K	H75K	H110K	H150K	H220K	H280K
MT-BSC-□□	75K	90K	H75K	H110K	—	—	—
Maximum frequency	60 Hz						
PWM frequency permissible range	2.5 kHz ±1						
Vibration	5.9 m/s ² or less, 10 to 55 Hz (directions of X, Y, Z axes)						
Approximate mass (kg)	Refer to the outline dimension drawing.						

*1 Always set the inverter PWM frequency to 2.5 kHz.

● Selection

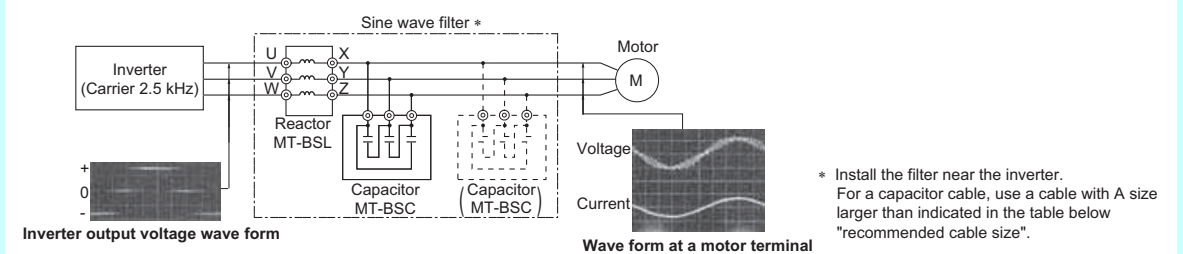
- Select an inverter with a rating one step above the capacity of the motor to be used. Note that an inverter with same kW with a motor can be used if the rated motor current × 1.1 is less than 90% of the inverter rated current.
- Use the MT-BSL-HC when using a sine wave filter with the FR-HC2.

Motor Capacity (kW) *1	Model			
	Reactor for filter	Rated current (A)	Capacitor for filter *2	
200V class	75	MT-BSL-75K	288	1 × MT-BSC-75K
	90	MT-BSL-90K	346	1 × MT-BSC-90K
400V class	75	MT-BSL-H75K(-HC)	144	1 × MT-BSC-H75K
	90	MT-BSL-H110K(-HC)	216	1 × MT-BSC-H110K
	110	MT-BSL-H110K(-HC)	216	1 × MT-BSC-H110K
	132	MT-BSL-H150K(-HC)	288	2 × MT-BSC-H75K
	160	MT-BSL-H220K(-HC)	432	2 × MT-BSC-H110K
	185	MT-BSL-H220K(-HC)	432	2 × MT-BSC-H110K
	220	MT-BSL-H220K(-HC)	432	2 × MT-BSC-H110K
	250	MT-BSL-H280K(-HC)	576	3 × MT-BSC-H110K
280	MT-BSL-H280K(-HC)	576	3 × MT-BSC-H110K	

*1 Assumes the use of a standard 4-pole motor.

*2 When using several capacitors for filter, connect them in parallel as in the connection diagram.

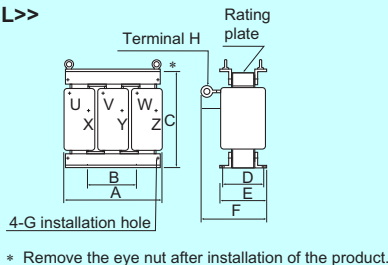
● Connection diagram



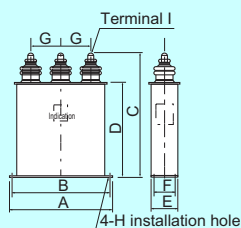
● Outline dimension drawings

- The appearance of a typical model. The shape differs according to each model.

<<MT-BSL>>



<<MT-BSC>>



(Unit: mm)

Model	A	B	C	D	E	F	G	H	Mass (kg)	
200V class	MT-BSL-75K	330	150	285	185	216	328	M10	M12	80
	MT-BSL-90K	390	150	320	180	220	330	M12	M12	120
400V class	MT-BSL-H75K	330	150	285	185	216	318	M10	M10	80
	MT-BSL-H110K	390	150	340	195	235	368	M12	M12	140
	MT-BSL-H150K	455	200	397	200	240	380	M12	M12	190
	MT-BSL-H220K	495	200	405	250	300	420	M12	M12	240
	MT-BSL-H280K	575	200	470	310	370	485	M12	M12	340
	MT-BSL-H75K-HC	385	150	345	185	216	315	M10	M10	110
	MT-BSL-H110K-HC	420	170	400	195	235	370	M12	M12	180
	MT-BSL-H150K-HC	450	300	455	390	430	500	M12	M12	250
MT-BSL-H220K-HC	510	350	540	430	485	555	M12	M12	310	
MT-BSL-H280K-HC	570	400	590	475	535	620	M12	M12	480	

(Unit: mm)

Model	A	B	C	D	E	F	G	H	I	Mass (kg)	
200V class	MT-BSC-75K	207	191	285	233	72	41	45	φ7	M8	3.9
	MT-BSC-90K	282	266	240	183	92	56	85	φ7	M12	5.5
400V class	MT-BSC-H75K	207	191	220	173	72	41	55	φ7	M6	3.0
	MT-BSC-H110K	207	191	280	233	72	41	55	φ7	M6	4.0

* Leave more than 25 mm space between capacitors.

Recommended cable size

The cable sizes between the Inverter and MT-BSL and between the MT-BSL and Motor should be the same as the U, V, W wiring size. The cable size to the MT-BSC is as table below.

MT-BSC-75K	MT-BSC-90K	MT-BSC-H75K	MT-BSC-H110K
38 mm ²	38 mm ²	22 mm ²	22 mm ²

Structure option

Attachments for installation inside the enclosure for FR-A872

FR-A8CW (A800)
FR-A8SR (A800)
FR-A8CU (A800)

The attachments are used with the FR-A872-05690 to 07150 and the FR-CC2-N-450K to 630K.

Attachment for cable connection in the enclosure (FR-A8CW)

This attachment is used for cable connection for the inverter and the converter unit. Bus bar connection is also available for 12-phase rectification. This option provides IP20 protection for cable connection.

It is recommended to use the FR-A8SR slide rail with this option.

Option model	Applicable model			
	FR-A872	FR-A872-P	FR-CC2-N	FR-CC2-N-P
FR-A8CW29-N	-	-	450K, 500K, 560K, 630K	450K, 500K, 560K
FR-A8CW39-N	-	-	450K, 500K, 560K, 630K	450K, 500K, 560K
FR-A8CW59-N	05690, 06470, 07150		-	-

-: Cannot be used.

Enclosure slide rail (FR-A8SR)

This attachment is used to facilitate the installation of the inverter and the converter unit in the enclosure, maintenance, and unit replacement when a fault occurs.

Option model	Applicable model			
	FR-A872	FR-A872-P	FR-CC2-N	FR-CC2-N-P
FR-A8SR39	-	-	450K, 500K, 560K, 630K	450K, 500K, 560K
FR-A8SR59	05690, 06470, 07150		-	-

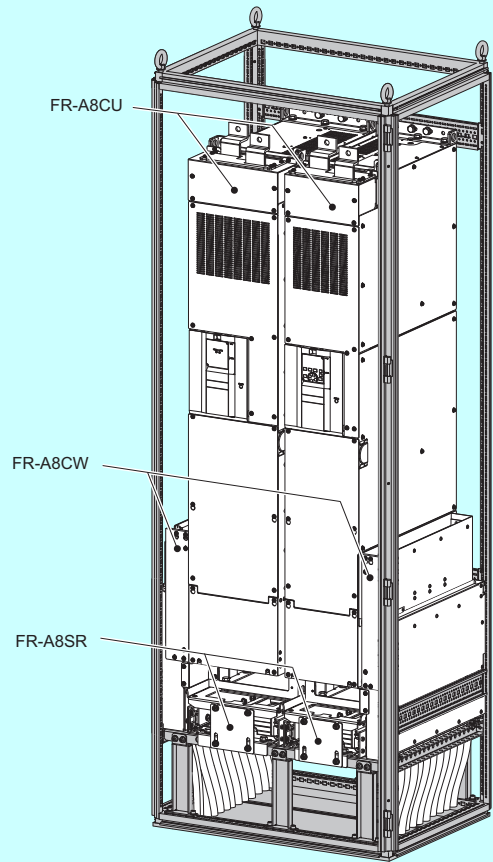
-: Cannot be used.

IP20 compliant attachment (FR-A8CU)

This attachment is used to provide IP20 protection for the inverter and the converter unit when they are connected with bus bars. The FR-A8CU79 provides IP20 protection for the main circuit terminals when the inverter and the converter unit are installed side by side.

Option model	Applicable model			
	FR-A872	FR-A872-P	FR-CC2-N	FR-CC2-N-P
FR-A8CU39-N	-	-	450K, 500K, 560K, 630K	450K, 500K, 560K
FR-A8CU59-N	05690, 06470, 07150		-	-
FR-A8CU79-N	05690, 06470, 07150	-	450K, 500K, 560K, 630K	-

-: Cannot be used.

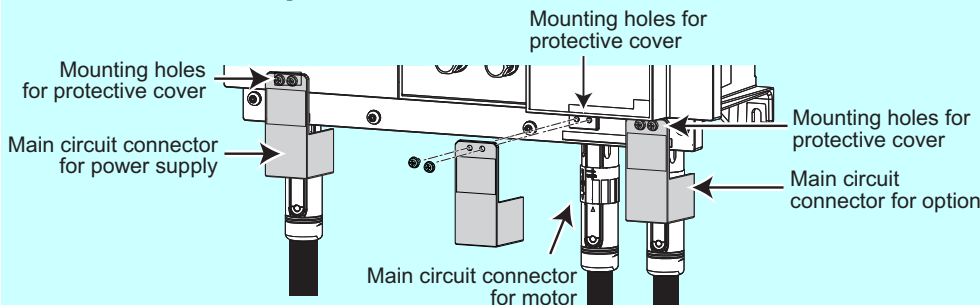


FR-E846 dedicated protective cover

FR-E8PC (E800)

This protective cover is installed to a main circuit connector of the FR-E846 inverter (IP66/IP67 model) to prevent insertion/removal of the connector during power-on.

● Installation example



This product can also be installed to the main circuit connector for power supply and the main circuit connector for option. When installing this product to all of the three connectors, prepare three sets.

Panel through attachment

FR-A8CN (A800, A800 Plus, F800)
 FR-E8CN (E800)
 FR-E7CN (E700, F700PJ, D700)

With this attachment, the heat sink, which is the exothermic section of the inverter, can be placed outside of the enclosure. Since the heat generated in the inverter can be radiated to the rear of the enclosure, the enclosure can be downsized.

● Selection

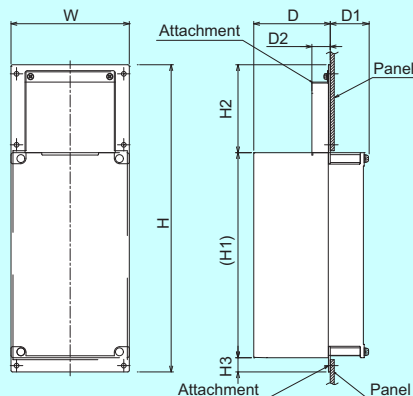
Attachment Model	Applicable Inverter			
	FR-A820	FR-A840	FR-F820	FR-F840
FR-A8CN01	00105(1.5K), 00167(2.2K), 00250(3.7K)	00023(0.4K), 00038(0.75K), 00052(1.5K), 00083(2.2K), 00126(3.7K)	00105(2.2K), 00167(3.7K), 00250(5.5K)	00023(0.75K), 00038(1.5K), 00052(2.2K), 00083(3.7K), 00126(5.5K)
FR-A8CN02	00340(5.5K), 00490(7.5K)	00170(5.5K), 00250(7.5K)	00340(7.5K), 00490(11K)	00170(7.5K), 00250(11K)
FR-A8CN03	00630(11K)	00310(11K), 00380(15K)	00630(15K)	00310(15K), 00380(18.5K)
FR-A8CN04	00770(15K), 00930(18.5K), 01250(22K)	00470(18.5K), 00620(22K)	00770(18.5K), 00930(22K), 01250(30K)	00470(22K), 00620(30K)
FR-A8CN05	01540(30K)	00770(30K)	01540(37K)	00770(37K)
FR-A8CN06	01870(37K), 02330(45K)	00930(37K), 01160(45K), 01800(55K)	01870(45K), 02330(55K)	00930(45K), 01160(55K), 01800(75K)
FR-A8CN07	03160(55K)	—	03160(75K)	—
FR-A8CN08	03800(75K), 04750(90K)	03250(110K), 03610(132K)	03800(90K), 04750(110K)	03250(132K), 03610(160K)
FR-A8CN09	—	02160(75K), 02600(90K)	—	02160(90K), 02600(110K)

Attachment Model	Applicable Inverter									
	Three-phase 200 V class			Single-phase 200 V class		Three-phase 400 V class			Three-phase 575 V class	
	FR-E820	FR-E820	FR-E820	FR-E820S	FR-E820S	FR-E840	FR-E840	FR-E840	FR-E860	FR-E860
FR-E8CN01	1.5K(0080), 2.2K(0110)	—	—	1.5K(0080)	—	—	—	—	—	—
FR-E8CN02	—	3.7K(0175)	—	—	2.2K(0110)	—	—	—	—	—
FR-E8CN03	—	—	5.5K(0240), 7.5K(0330)	—	—	—	—	—	—	—
FR-E8CN04	—	—	—	—	—	1.5K(0040)	—	—	—	—
FR-E8CN05	—	—	—	—	—	—	2.2K(0060), 3.7K(0095)	—	0027, 0040	—
FR-E8CN06	—	—	—	—	—	—	—	5.5K(0120), 7.5K(0170)	—	0061 to 0120

Attachment Model	Applicable Inverter					
	FR-E700		FR-F700PJ		FR-D700	
	200 V class	400 V class	200 V class	400 V class	200 V class	400 V class
FR-E7CN01	FR-E720-1.5K, 2.2K FR-E720S-0.75K, 1.5K	—	FR-F720PJ-1.5K, 2.2K	FR-F740PJ-1.5K to 3.7K	FR-D720-1.5K, 2.2K FR-D720S-1.5K	FR-D740-1.5K to 3.7K
FR-E7CN02	FR-E720-3.7K	—	FR-F720PJ-3.7K	—	FR-D720-3.7K	—
FR-E7CN03	FR-E720-5.5K, 7.5K	—	—	—	—	—
FR-E7CN04	FR-E720S-2.2K	FR-E740-1.5K to 3.7K	—	—	FR-D720S-2.2K	—
FR-E7CN05	—	FR-E740-5.5K, 7.5K	FR-F720PJ-5.5K, 7.5K	FR-F740PJ-5.5K, 7.5K	FR-D720-5.5K, 7.5K	FR-D740-5.5K, 7.5K
FR-E7CN06	FR-E720-11K, 15K	FR-E740-11K, 15K	FR-F720PJ-11K, 15K	FR-F740PJ-11K, 15K	FR-D720-11K, 15K	FR-D740-11K, 15K

● Outline dimension drawings

- This attachment requires larger area for attachment.



(Unit: mm)

Type	W	H	H1	H2	H3	D	D1	D2
FR-A8CN01	150	389.5	260	111.5	18	97	48.4	24.3
FR-A8CN02	245	408.5	260	116.5	32	86	89.4	21.3
FR-A8CN03	245	448.5	300	116.5	32	89	106.4	21.3
FR-A8CN04	280	554	400	113.5	32	96.7	102.4	40.6
FR-A8CN05	357	654	480	130	44	130.8	64.2	105
FR-A8CN06	478.2	650	465	145	40	96	154	55
FR-A8CN07	510.2	805	610	150	45	130	120	105
FR-A8CN08	510.2	845	650	150	45	176.5	183.5	40
FR-A8CN09	510.2	725	530	150	45	152.3	147.7	65

Totally-enclosed structure attachment

FR-E7CV E700

Installing the attachment to the inverter changes the protective structure (JEM1030) of the inverter to the totally enclosed structure (IP40 equivalent).

● Specifications

Item	Description
Surrounding air temperature	-10 °C to +40 °C
Ambient humidity	90% RH or less (non-condensing)
Atmosphere	Indoors (free from corrosive gas, flammable gas, oil mist, dust and dirt)
Altitude	Maximum 1,000 m
Vibration	5.9 m/s ² or less at 10 to 55 Hz (directions of X, Y, Z axes)

● Selection

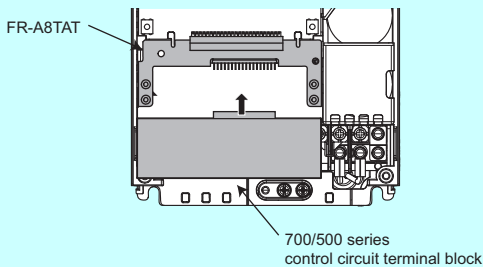
Attachment Model	Applicable Inverter
	FR-E700
FR-E7CV01	FR-E720-0.1K to 0.75K
FR-E7CV02	FR-E720-1.5K, 2.2K
FR-E7CV03	FR-E720-3.7K
FR-E7CV04	FR-E720-5.5K, 7.5K

Control circuit terminal block intercompatibility attachment

FR-A8TAT A800 A800 Plus F800

This attachment allows the conventional 700/500 series control circuit terminal blocks to be installed without removing any cables. This attachment is useful for replacing a conventional inverter with the 800 series inverter.

● Installation procedure



● Restrictions

- For using the control circuit terminal block of the 500 series, open or remove the cover of the control circuit terminal block. Otherwise, the front cover of the inverter may not close properly.
- Since the specifications of the control circuit terminals of the 700/500 series are different from those of the 800 series, certain functions of the inverter are restricted (refer to the table below).

	Relay output 2 terminals	24 V external power supply input terminal	Safety stop signal terminals
FR-A500/F500 series	×	×	×
FR-A700/F700(P) series	○	×	×

○...Available, ×...Not available

- The FR-A8NC, FR-A8NCE, or FR-A8NS plug-in option cannot be installed.
- When using a plug-in option, connect the plug-in option using a cable that can be routed through the space between the front cover and the control circuit terminal block (700 series: 7 mm, 500 series: 0.8 mm).

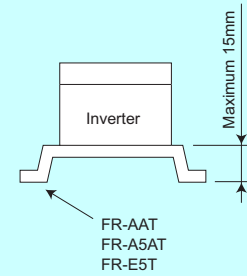
**Intercompatibility attachment
EMC filter installation attachment**

- FR-AAT, FR-A5AT (A800) (A800 Plus) (F800) (E800)
 FR-E8AT (E800)
 FR-E7AT (E800) (E700)
 FR-E5T (E800) (E700) (F700PJ) (D700)
 FR-F8AT (F800) (For FR-F820-75K)

When replacing with a new inverter, the attachment make the new inverter to be installed using holes of conventional model.

●Specifications

Attachment Model	Installation Size of Mountable Model (W×H unit mm)	Installation Size of Compatible Conventional Model (W×H unit mm)
FR-AAT01	1) 95 × 245 2) 125 × 245 3) 95 × 285 4) 125 × 285	200 × 280
FR-AAT02	1) 125 × 245 2) 195 × 245 3) 125 × 285 4) 195 × 285	230 × 380
FR-AAT03	1) 195 × 285 2) 230 × 380	230 × 510
FR-AAT04	1) 195 × 285 2) 230 × 380 3) 280 × 430	290 × 570
FR-AAT05	1) 230 × 380 2) 280 × 430 3) 270 × 530	290 × 670
FR-AAT06	1) 270 × 530 2) 380 × 525	420 × 720
FR-AAT07	1) 380 × 525 2) 410 × 675	420 × 860
FR-AAT08	1) 380 × 525	420 × 860
FR-AAT09	1) 270 × 530	380 × 625
FR-AAT21	1) 95 × 245	125 × 245
FR-AAT22	1) 125 × 245	195 × 245
FR-AAT23	1) 270 × 530	380 × 525
FR-AAT24	1) 195 × 285	230 × 380
FR-AAT27	1) 230 × 380	270 × 530
FR-A5AT01	1) 95 × 245	95 × 285
FR-A5AT02	1) 95 × 245 2) 125 × 245	125 × 285
FR-A5AT03	1) 125 × 245 2) 195 × 245	195 × 285
FR-A5AT04	1) 195 × 285 2) 230 × 380	280 × 430
FR-A5AT05	1) 380 × 525	410 × 675
FR-E5T *	1) 96 × 118 2) 158 × 118	188 × 138
FR-E5T-02 *	1) 164 × 244	195 × 285



The depth increases after installation of the inverter when the attachment is used.

*1 This is sold as the FR-E700 series, F700PJ series and D700 series attachment with EMC filter.

●Selection

<<Replacement with FR-A820>>

		FR-A820							
		0.4K/0.75K	1.5K to 3.7K	5.5K/7.5K	11K	15K to 22K	30K	37K/45K	55K
Model name and capacity of conventional model	FR-A220E	0.4K/0.75K	FR-A5AT01	—	—	—	—	—	—
		1.5K to 3.7K	FR-A5AT02	FR-A5AT02	—	—	—	—	—
		5.5K to 11K	—	FR-A5AT03	FR-A5AT03	○	—	—	—
		15K	—	—	FR-AAT02	FR-AAT24	○	—	—
		18.5K/22K	—	—	—	FR-A5AT04	FR-A5AT04	—	—
		30K	—	—	—	—	FR-AAT27	○	—
		37K/45K	—	—	—	—	—	FR-AAT23	○
	55K	—	—	—	—	—	—	FR-A5AT05	○
	FR-A520/A720	0.4K/0.75K	○	—	—	—	—	—	—
		1.5K to 3.7K	FR-AAT21	○	—	—	—	—	—
		5.5K/7.5K	—	FR-AAT22	○	—	—	—	—
		11K	—	—	FR-A5AT03	○	—	—	—
		15K to 22K	—	—	—	FR-AAT24	○	—	—
		30K	—	—	—	—	FR-AAT27	○	—
37K/45K		—	—	—	—	—	FR-AAT23	○	
55K	—	—	—	—	—	—	FR-A5AT05	○	

○: Mountable without an intercompatibility attachment
 FR-A5AT□□, FR-AAT□□: Easily replaceable with a stated intercompatibility attachment.

Structure option

<<Replacement with FR-A840>>

Model name and capacity of conventional model		FR-A840					
		0.4K to 3.7K	5.5K/7.5K	11K/15K	18.5K/22K	30K	37K to 55K
FR-A240E	0.4K to 3.7K	FR-A5AT02	—	—	—	—	—
	5.5K/7.5K	FR-A5AT03	FR-A5AT03	—	—	—	—
	11K/15K	—	FR-AAT02	FR-AAT24	—	—	—
	18.5K/22K	—	—	FR-A5AT04	FR-A5AT04	—	—
	30K	—	—	—	FR-AAT27	○	—
	37K/45K	—	—	—	—	FR-AAT23	○
	55K	—	—	—	—	—	FR-A5AT05
FR-A540	0.4K to 3.7K	○	—	—	—	—	—
	5.5K/7.5K	FR-AAT22	○	—	—	—	—
	11K to 22K	—	FR-AAT02	FR-AAT24	○	—	—
	30K	—	—	—	FR-AAT27	○	—
	37K to 55K	—	—	—	—	FR-AAT23	○
FR-A740	0.4K to 3.7K	○	—	—	—	—	—
	5.5K/7.5K	FR-AAT22	○	—	—	—	—
	11K/15K	—	FR-A5AT03	○	—	—	—
	18.5K/22K	—	—	FR-AAT24	○	—	—
	30K	—	—	—	FR-AAT27	○	—
	37K to 55K	—	—	—	—	FR-AAT23	○

○: Mountable without an intercompatibility attachment

FR-A5AT[□], FR-AAT[□]: Easily replaceable with a stated intercompatibility attachment.

<<Replacement with FR-F820>>

Model name and capacity of conventional model		FR-F820						
		0.75K/1.5K	2.2K to 5.5K	7.5K/11K	15K	18.5K to 30K	37K	45K/55K
FR-A120E	0.75K	FR-A5AT01	—	—	—	—	—	—
	1.5K to 3.7K	FR-A5AT02	FR-A5AT02	—	—	—	—	—
	5.5K to 11K	—	FR-A5AT03	FR-A5AT03	—	—	—	—
	15K/18.5K	—	—	FR-AAT02	FR-AAT24	○	—	—
	22K/30K	—	—	—	FR-A5AT04	FR-A5AT04	—	—
	37K	—	—	—	—	FR-AAT27	○	—
	45K	—	—	—	—	—	FR-AAT23	○
	55K	—	—	—	—	—	—	FR-A5AT05
FR-F520	0.75K	○	—	—	—	—	—	—
	1.5K to 3.7K	FR-AAT21	○	—	—	—	—	—
	5.5K/7.5K	—	FR-AAT22	○	—	—	—	—
	11K	—	FR-A5AT03	FR-A5AT03	—	—	—	—
	15K to 22K	—	—	FR-AAT02	FR-AAT24	○	—	—
	30K	—	—	—	FR-A5AT04	FR-A5AT04	—	—
	37K	—	—	—	—	FR-AAT27	○	—
	45K	—	—	—	—	—	FR-AAT23	○
55K	—	—	—	—	—	—	FR-A5AT05	
FR-F720(P)	0.75K/1.5K	○	—	—	—	—	—	—
	2.2K to 5.5K	FR-AAT21	○	—	—	—	—	—
	7.5K/11K	—	FR-AAT22	○	—	—	—	—
	15K	—	FR-A5AT03	FR-A5AT03	○	—	—	—
	18.5K to 30K	—	—	—	FR-AAT24	○	—	—
37K	—	—	—	—	FR-AAT27	○	—	
45K/55K	—	—	—	—	—	FR-AAT23	○	

○: Mountable without an intercompatibility attachment

FR-A5AT[□], FR-AAT[□]: Easily replaceable with a stated intercompatibility attachment.

<<Replacement with FR-F840>>

		FR-F840						
		0.75K to 5.5K	7.5K/11K	15K/18.5K	22K/30K	37K	45K/55K	
Model name and capacity of conventional model	FR-A140E	0.75K to 3.7K	FR-A5AT02	—	—	—	—	—
		5.5K to 11K	FR-A5AT03	FR-A5AT03	—	—	—	—
		15K/18.5K	—	FR-AAT02	FR-AAT24	—	—	—
		22K	—	—	FR-A5AT04	FR-A5AT04	—	—
		30K	—	—	—	FR-AAT27	—	—
		37K/45K	—	—	—	—	FR-AAT23	○
	55K	—	—	—	—	—	FR-A5AT05	
	FR-F540	0.75K to 3.7K	○	—	—	—	—	—
		5.5K to 11K	FR-AAT22	○	—	—	—	—
		15K to 22K	—	FR-AAT02	FR-AAT24	○	—	—
		30K/37K	—	—	—	FR-AAT27	○	—
	FR-F740(P)	45K/55K	—	—	—	—	FR-AAT23	○
		0.75K to 5.5K	○	—	—	—	—	—
		7.5K/11K	—	○	—	—	—	—
		15K/18.5K	FR-A5AT03	FR-A5AT03	○	—	—	—
		22K/30K	—	—	FR-AAT24	○	—	—
		37K	—	—	—	FR-AAT27	○	—
	45K/55K	—	—	—	—	FR-AAT23	○	

○: Mountable without an intercompatibility attachment

FR-A5AT□□, FR-AAT□□: Easily replaceable with a stated intercompatibility attachment.

<<FR-F8AT>>

The FR-F8AT01 can be used for replacing FR-F520L-75K and FR-F720-75K with FR-F820-03160(75K).

<<Replacement of FR-E720 with FR-E820>>

		FR-E820		FR-E820S	
		0.1K to 2.2K	3.7K	0.1K to 1.5K	2.2K
Model name and capacity of conventional model	FR-E720	0.1K to 2.2K	○	—	—
		3.7K	—	FR-E8AT03	—
FR-E720S	0.1K to 1.5K	—	—	○	—
	2.2K	—	—	—	FR-E8AT04

○: Mountable without an intercompatibility attachment

<<Replacement of FR-E740 with FR-E840>>

		FR-E840	
		0.4K to 1.5K	2.2K/3.7K
Model name and capacity of conventional model	FR-E740	0.4K to 1.5K	FR-E7AT02
		2.2K/3.7K	○

○: Mountable without an intercompatibility attachment

<<Replacement with FR-E720/FR-E820>>

		FR-E720/FR-E820		
		0.1K to 0.75K	1.5K	2.2K/3.7K
Model name and capacity of conventional model	FR-A024	0.1K to 0.75K	FR-E7AT01	—
		1.5K	—	FR-E7AT02
		2.2K/3.7K	—	FR-E7AT03

<<Replacement with FR-E740/FR-E840>>

		FR-E740/FR-E840		
		0.4K/0.75K	1.5K to 3.7K	
Model name and capacity of conventional model	FR-A044	0.4K/0.75K	E740	—
			E840	FR-E7AT02
		1.5K to 3.7K	—	FR-E7AT03

FR-E7AT□□: Easily replaceable with a stated intercompatibility attachment.

DIN rail installation attachment

FR-UDA E800 E700 F700PJ D700

Use of attachment enables the inverter to be installed on DIN rail.

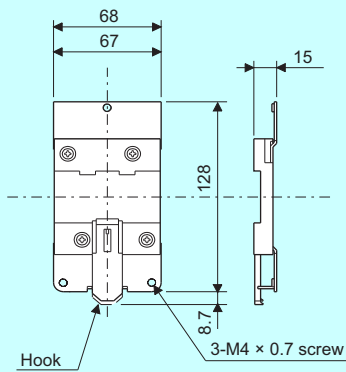
● Selection

- Select the model according to the applicable inverter capacity as shown in the following table.

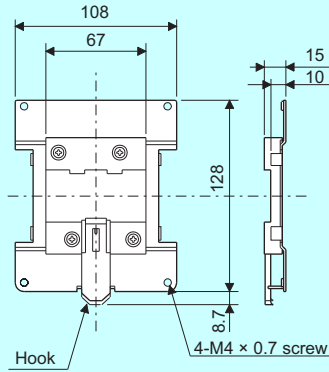
Inverter		Applicable Inverter Capacity		
		FR-UDA01	FR-UDA02	FR-UDA03
FR-E800	Single phase 200 V class	FR-E820-0.1K to 0.75K	FR-E820-1.5K, 2.2K	FR-E820-3.7K
	200 V class	FR-E820S-0.1K to 0.4K	FR-E820S-0.75K, 1.5K	FR-E820S-2.2K
FR-E700	Single phase 100 V class	FR-E710W-0.1K to 0.4K	FR-E710W-0.75K	—
	Single phase 200 V class	FR-E720S-0.1K to 0.4K	FR-E720S-0.75K, 1.5K	—
	200 V class	FR-E720-0.1K to 0.75K	FR-E720-1.5K, 2.2K	FR-E720-3.7K
FR-F700PJ	200 V class	FR-F720PJ-0.4K, 0.75K	FR-F720PJ-1.5K, 2.2K	FR-F720PJ-3.7K
	400 V class	—	FR-F740PJ-0.4K to 3.7K	—
FR-D700	Single phase 100 V class	FR-D710W-0.1K to 0.4K	FR-D710W-0.75K	—
	Single phase 200 V class	FR-D720S-0.1K to 0.75K	FR-D720S-1.5K	—
	200 V class	FR-D720-0.1K to 0.75K	FR-D720-1.5K, 2.2K	FR-D720-3.7K
	400 V class	—	FR-D740-0.4K to 3.7K	—

● Approximate dimension

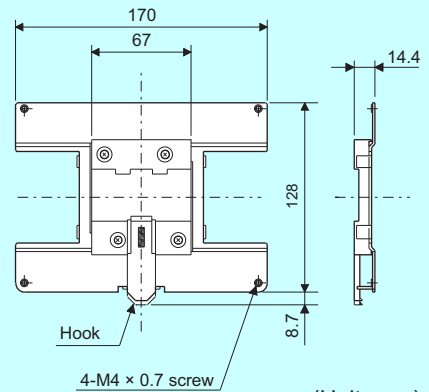
<<FR-UDA01>>



<<FR-UDA02>>



<<FR-UDA03>>



(Unit: mm)

Other options

Pilot generator

QVAH-10 ALL

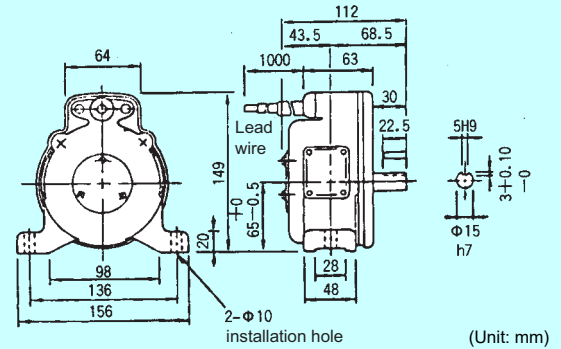
AC voltage is output depending on the speed of the motor.

●Specifications

Item	Description
Output voltage	70 V/35 VAC at 2500 r/min
Output	10 W/5 W *1
Linearity	1% or less
Maximum speed	5000 r/min *2
Number of poles	Single phase 24 poles
Rotation torque	At starting 0.14 N·m During running 0.05 N·m

- *1 When outputting 10W between terminal U-V, output 1W or less between terminal U-0 (or 0-V).
- *2 Operating at 2500 r/min or more degrades linearity.

●Outline dimension drawings



Deviation sensor

VYGC-500W-NS ALL

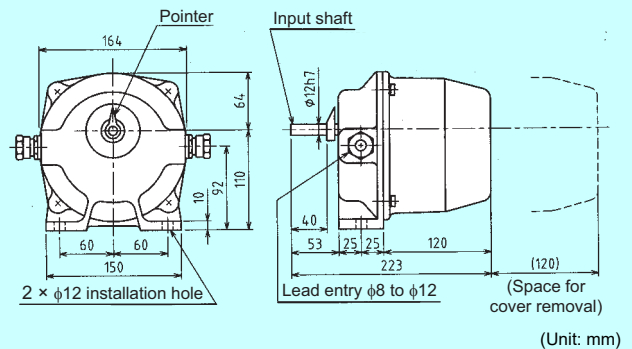
This detector detects the angular displacement of motor shaft and output as AC voltage. It has a built-in limit switch for both end detection.

●Specifications

Item	Description
Power supply voltage	200 V/220 VAC 50 Hz/60 Hz
Contact capacity	250 VAC 6 A
Used angular displacement *1	±60°
Maximum angular displacement *2	±140° ±10°
Maximum output voltage	At 200 VAC input ... 82 VAC/90° At 200 VAC input ... 90 VAC/90°
Rotation torque	0.02 N·m or less

- *1 Used angular displacement indicates the rotation angle until the limit switch operates.
- *2 Maximum displacement angle indicates the maximum rotation angle of the machine (to the stopper) of the deviation sensor.

●Outline dimension drawings



Digital frequency meter

HZ-1N (introduced product) ALL

Connect the frequency meter between terminal FM-SD of the inverter to indicate the inverter output frequency by FM output (pulse).

Introduced product: HZ-1N *

* Please contact your sales representative or the nearest Mitsubishi FA Center.

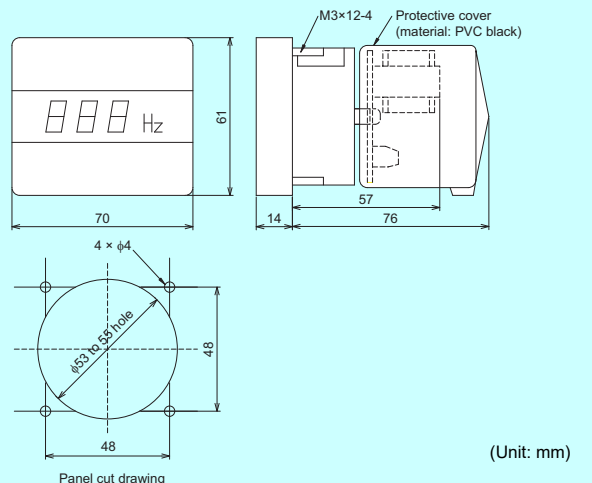


HZ-1N (introduced product)

●Specifications

Item	Description
Display digit	3 digits
Minimum resolution	1 Hz
Sampling period	Approx. 166 ms
Frequency display switching	0 to 60 Hz, 0 to 120 Hz, 0 to 240 Hz switching function
Power supply voltage	100/200 VAC ±10% 50/60 Hz

●Outline dimension drawings



Analog frequency meter

YM-206NRI 1 mA **ALL**

KY-452 (introduced product) **ALL**

Connect a full-scale 1 mA ammeter to the inverter terminal FM-SD to display the inverter output frequency.

Introduced product: KY-452 *

* Please contact your sales representative or the nearest Mitsubishi FA center.

●Specifications

<<YM-206NRI 1 mA>>

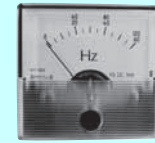
Item	Description
Principle of operation	Moving-coil type
Scale specifications	0 to 65 Hz, 130 Hz double scale

<<KY-452 (introduced product)>>

Item	Description
Principle of operation	Moving-coil type
Scale specifications	0 to 60 Hz, 0 to 120 Hz double scale



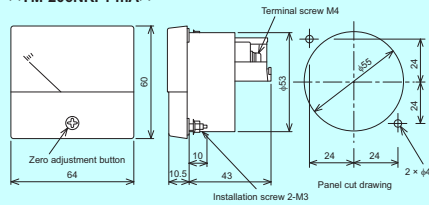
YM-206NRI 1 mA



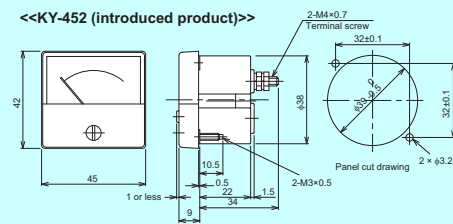
KY-452 (introduced product)

●Outline dimension drawings

<<YM-206NRI 1 mA>>



<<KY-452 (introduced product)>>



(Unit: mm)

Calibration resistor

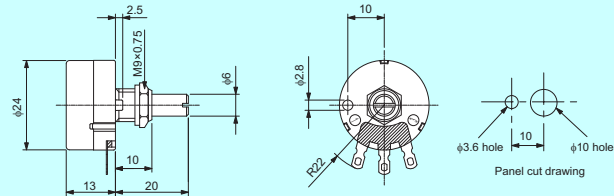
RV24YN 10 kΩ **ALL**

Calibrate analog frequency meter with this variable resistor. Connect this resistor between the inverter and frequency meter to change the value of current flow. (It is not necessary when calibrating the meter from the operation panel/parameter unit.)

●Specifications

Item	Description
Characteristic	Carbon film variable resistor 1/3 W 10 kΩ B characteristic
Shaft rotation angle	300° ±5°

●Outline dimension drawings



(Unit: mm)

Frequency setting potentiometer
Pointer scale
Knob

WA2W 1 kΩ (introduced product) **ALL**

MEM-40 (introduced product) **ALL**

K-3 (introduced product) **ALL**

WA2W-40SET-S (introduced product) **ALL**

Connect the variable resistor between terminal 10-2-5 of the inverter to set the inverter running frequency.

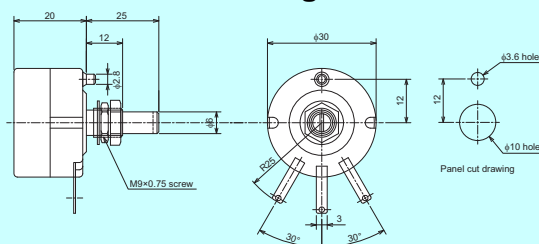
Introduced product: WA2W, MEM-40, K-3, WA2W-40SET-S *

* Please contact your sales representative or the nearest Mitsubishi FA center.

●Specifications

Item	Description
Characteristic	Wire wound variable resistor 2 W 1 kΩ B characteristic
Shaft rotation angle	300° ±5°

●Outline dimension drawings



WA2W 1 kΩ (introduced product)



MEM-40 (introduced product)



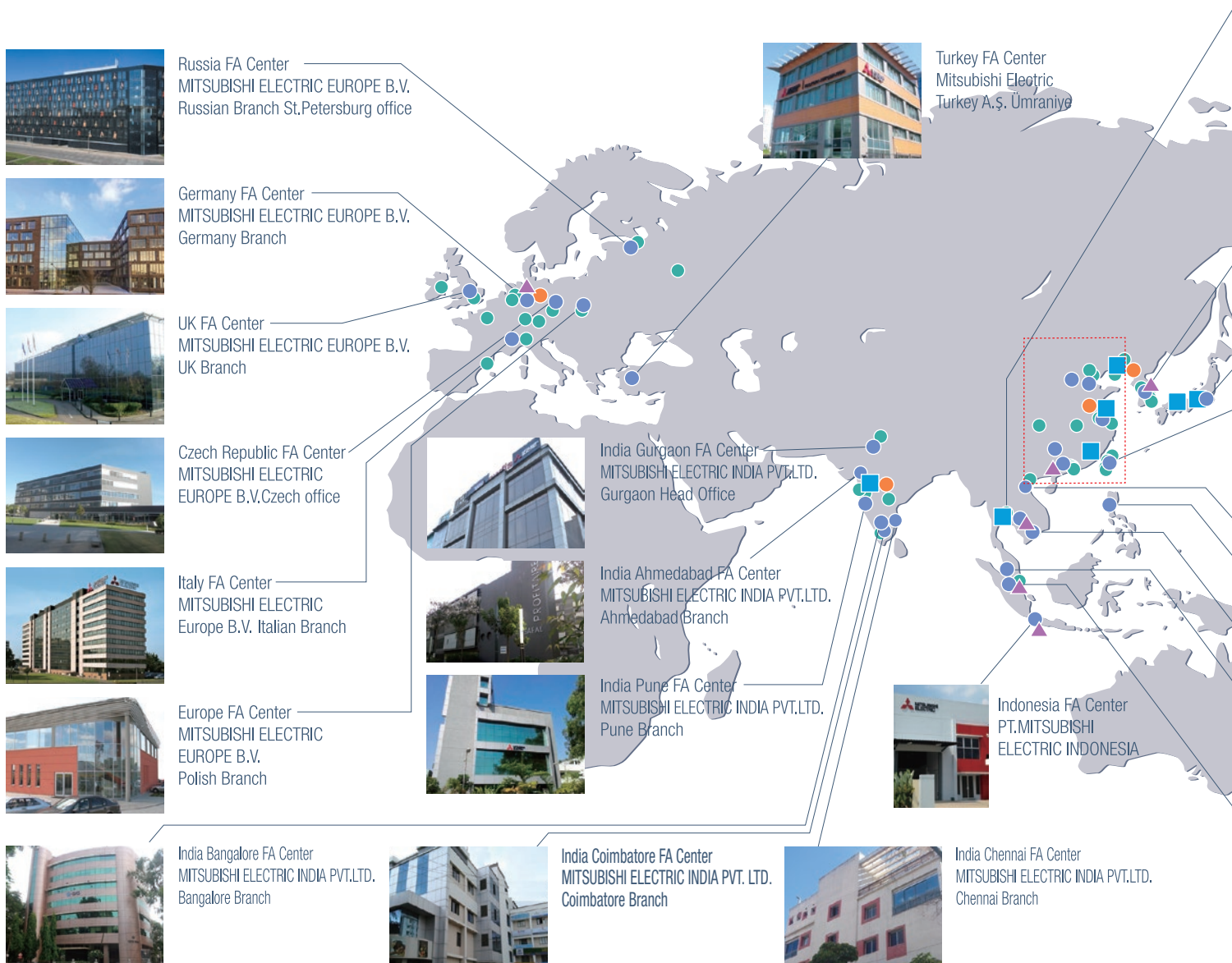
K-3 (introduced product)

WA2W-40SET-S includes WA2W, MEM-40, and K-3.

(Unit: mm)

Mitsubishi Electric's global FA network delivers reliable technologies and security around the world.

■ Production base
 ● Development center
 ● Global FA Center
 ▲ Mechatronics showroom
 ● Mitsubishi Electric sales office



Production bases Under the lead of Nagoya Works, we form a powerful network to optimize our manufacturing processes.

Domestic bases

Nagoya Works



Shinshiro Factory
Kani Factory

Production bases overseas

MDI Mitsubishi Electric Dalian Industrial Products Co., Ltd.



MEI Mitsubishi Electric India Pvt.



MEAMC Mitsubishi Electric Automation Manufacturing (Changshu) Co., Ltd.

MEATH Mitsubishi Electric Automation (Thailand) Co., Ltd.

Thailand FA Center
MITSUBISHI ELECTRIC FACTORY
AUTOMATION (THAILAND) CO.,LTD



Korea FA Center
MITSUBISHI ELECTRIC
AUTOMATION KOREA CO.,LTD.



MITSUBISHI ELECTRIC CORPORATION
Factory Automation Systems Group



Taichung FA Center
MITSUBISHI ELECTRIC
TAIWAN CO.,LTD



Taipei FA Center
SETSUYO ENTERPRISE CO.,LTD



Philippines FA Center
MELCO FACTORY AUTOMATION
PHILIPPINES INC.



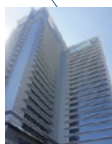
Hanoi FA center
Mitsubishi Electric
Vietnam
Company Limited
Hanoi Branch



Malaysia FA Center



Ho Chi Minh FA Center
MITSUBISHI ELECTRIC
VIETNAM COMPANY
LIMITED



ASEAN FA Center
MITSUBISHI ELECTRIC
ASIA PTE.LTD.



Service bases are established around the world to provide the same services as in Japan globally. Overseas bases are opening one after another to support our customers' business expansion.

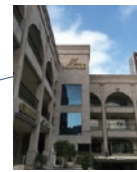
Area	Our overseas	FA centers
EMEA	39	7
China	25	4
Asia	49	16
Americas	19	6
Total	132	33

-As of March 2021

North America FA Center
MITSUBISHI ELECTRIC
AUTOMATION,INC.



Mexico Monterrey FA Center
Monterrey Office, Mitsubishi
Electric Automation, Inc.



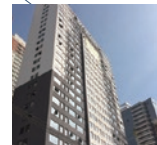
Mexico FA Center
Querétaro Office, Mitsubishi
Electric Automation, Inc.



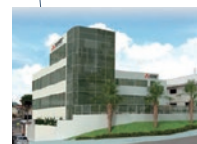
Mexico City FA Center
Mexico FA Center
Mexico Branch, Mitsubishi
Electric Automation, Inc.



Brazil FA Center
Mitsubishi Electric do Brasil
Comércio e Serviços Ltda.



Brazil Votorantim FA Center
MELCO CNC do Brasil
Comércio e Serviços S.A.

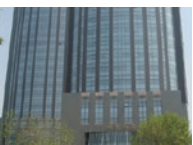


China

Beijing FA Center
MITSUBISHI ELECTR
AUTOMATION (CHINA)



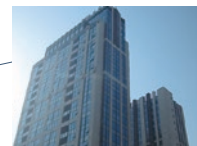
Tianjin FA Center
MITSUBISHI ELECTR
AUTOMATION (CHINA)



Guangzhou FA Center
MITSUBISHI ELECTRIC
AUTOMATION (CHINA)LTD.



Shanghai FA Center
MITSUBISHI ELECTRIC
AUTOMATION (CHINA) LTD.



Shenzhen FA Center
MITSUBISHI ELECTRIC
AUTOMATION (CHINA) LTD.

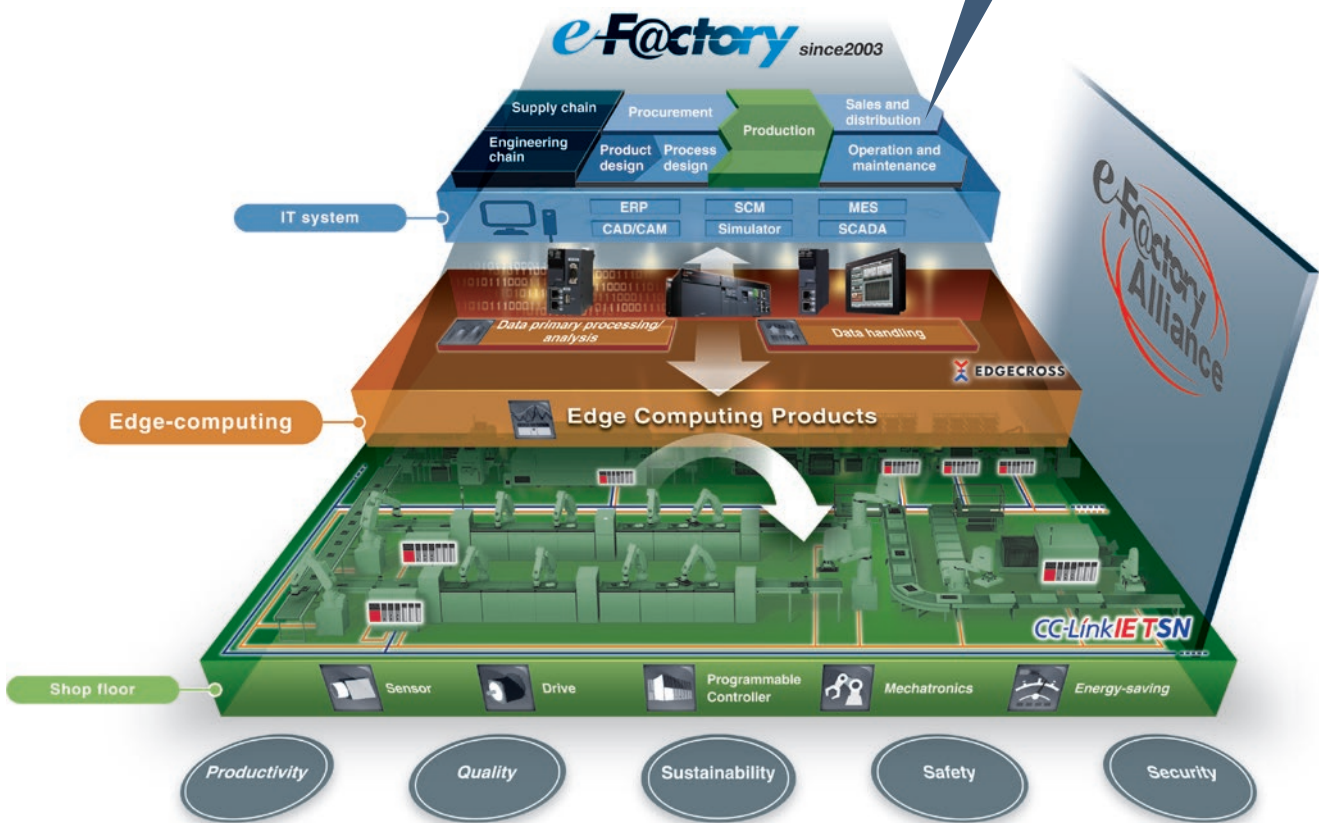
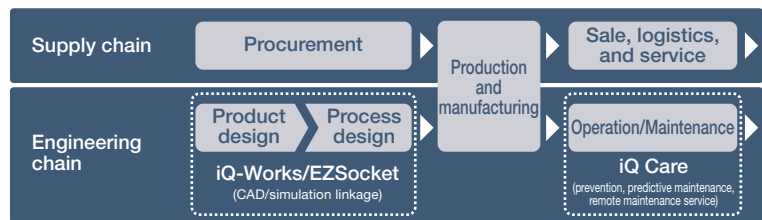


This solution solves customers' issues and concerns by enabling visualization and analysis that lead to improvements and increase availability at production sites.

Utilizing our FA and IT technologies and collaborating with e-F@ctory Alliance partners, we reduce the total cost across the entire supply chain and engineeringchain, and support the improvement initiatives and one-step-ahead manufacturing of our customers.



FA integrated solutions reduce total cost



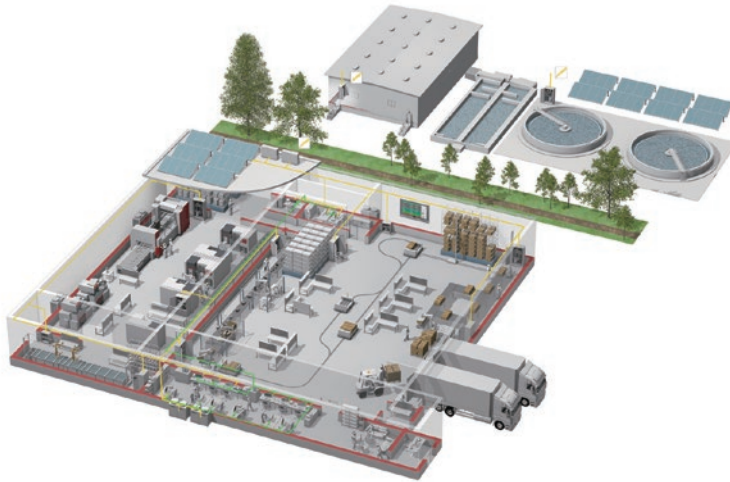
Overall production information is captured in addition to energy information, enabling the realization of efficient production and energy use (energy savings).

•Trademarks
 PROFIBUS and PROFINET are either trademarks or registered trademarks of PROFIBUS & PROFINET International.
 DeviceNet and EtherNet/IP are either trademarks or registered trademarks of ODVA.
 LONWORKS is a registered trademark of Echelon Corporation in the U.S.A and other countries.
 EnDat is a registered trademark of DR.JOHANNES HEIDENHAIN GmbH.
 EtherCAT is a trademark of Beckhoff Automation GmbH.
 MODBUS is a registered trademark of SCHNEIDER ELECTRIC USA, INC.
 CC-Link IE TSN and CC-Link IE Field Network Basic are registered trademarks of CC-Link Partner Association.
 App Store is a service mark of Apple Inc.

Google Play and the Google Play logo are trademarks of Google LLC.
 Microsoft and Windows are registered trademarks or trademarks of Microsoft Corporation in the United States and/or other countries.
 The formal name of Windows Vista® is Microsoft® Windows Vista® operating system.
 The formal name of Windows® 7 is Microsoft® Windows® 7 operating system.
 The formal name of Windows® 8 is Microsoft® Windows® 8 operating system.
 The formal name of Windows® 10 is Microsoft® Windows® 10 operating system.
 The formal name of Windows® 11 is Microsoft® Windows® 11 operating system.
 Other company and product names herein are the trademarks and registered trademarks of their respective owners.

⚠ Safety Warning
 To ensure proper use of the products listed in this catalog, please be sure to read the instruction manual prior to use.

YOUR SOLUTION PARTNER



Mitsubishi Electric offers a wide range of automation equipment from PLCs and HMIs to CNC and EDM machines.

A NAME TO TRUST

Since its beginnings in 1870, some 45 companies use the Mitsubishi name, covering a spectrum of finance, commerce and industry.

The Mitsubishi brand name is recognized around the world as a symbol of premium quality.

Mitsubishi Electric Corporation, established in 1921, is active in space development, transportation, semi-conductors, energy systems, communications and information processing, audio visual equipment and home electronics, building and energy management and automation systems, and has 183 factories, laboratories and offices worldwide in over 140 countries.

This is why you can rely on Mitsubishi Electric automation solution - because we know first hand about the need for reliable, efficient, easy-to-use automation and control in our own factories.

As one of the world's leading companies with a global turnover of over 4 trillion Yen (over \$40 billion), employing over 146,000 people, Mitsubishi Electric has the resource and the commitment to deliver the ultimate in service and support as well as the best products.



Low-voltage Power Distribution Products



Transformers, Med-voltage Distribution Products



Power Monitoring and Energy Saving Products



Power (UPS) and Environmental Products



Compact and Modular Controllers



Servos, Motors and Inverters



Visualization: HMIs



Edge Computing Products



Numerical Control (NC)



Collaborative and Industrial Robots



Processing machines: EDM, Lasers

* Not all products are available in all countries.

mitsubishi electric corporation

HEAD OFFICE: TOKYO BLDG., 2-7-3, MARUNOUCHI, CHIYODA-KU, TOKYO 100-8310, JAPAN
